



THE VERSATILE LED POST TOP (None & Acorn Shade)



PRODUCT DESCRIPTION

The VERSATILE series has the high-performance solution for the most demanding applications with an universal body and different shades. It can be used in many applications such as pedestrian street, factory, schools, garden, courtyard, hotel, parking lot, public parks etc.

FEATURE

- None or acorn shade.
- Photocontrol and microwave motion sensor optional.
- Tempered glass lens doesn't fade and discolor.
- Type I, II, III, IV & VN for various applications

ELECTRICAL SYSTEM

- Input Voltage: 120-277VAC, 347/480V, 50/60Hz
- 0-10V dimming
- Operating temperature range: -40-104 °F (-40-40 °C)
- Power Factor: > 0.9 at full load
- Total Harmonic Distortion: < 20% at full load
- Philips Input SPD(10KV)

PERFORMANCE

CRI

70+

CCT

3000K, 4000K, 5000K

Projected Lifetime

L70 - 140,000 Hours

Working Temperature

-40-104°F (-40-40°C)

Certifications

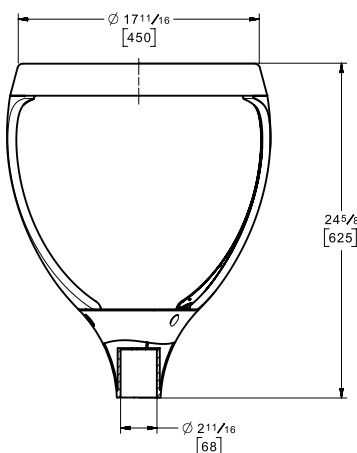
- cUL Listed
- DLC Listed
- IP66 rated
- RoHS compliant

SPECIFICATION

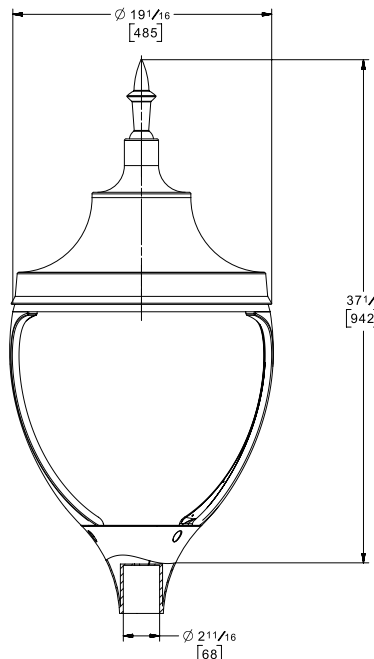
Effective Projected Area (EPA):

VPT: 0.65ft²

VPTA: 1.69ft²



VPT



VPTA

Ordering Information

Example: VPTA30401-T5

Name	Shade	Watts	CCT	Voltage	- Control	- Installation	- Distribution	- Lens	- Finish
VPT	Blank- None	30- 30W	30- 3000K	1-120-277V	- Blank None	- Blank 2 3/8" Tenon Pole	- T1- Type I	- Blank Glass Clear Lens	- Standard
	A - Acorn	60- 60W	40- 4000K	6- 347/480V	PC- Photoelectric Control ¹		T2- Type II		Blank - Dark Bronze
		90- 90W	50- 5000K		MSW - Microwave Motion Sensor		T3- Type III		Optional*
		150- 150W					T4- Type IV		AL - Aluminum Silver
							T5- Type VN		BK - Black
									WH - White
									(See Notes)

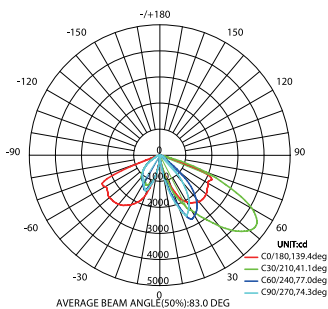
Notice:

1. Photocontrol is not available for acorn shade.

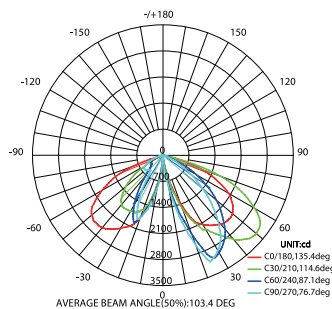
* Standard Finish is Dark Bronze. Allow 4-6 weeks for optional finish. Additional charge will apply.

PHOTOMETRY

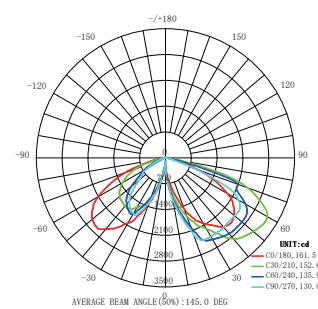
All published luminaire photometric testing performed to IESNA LM-79-08 standards by a NVLAP certified laboratory.



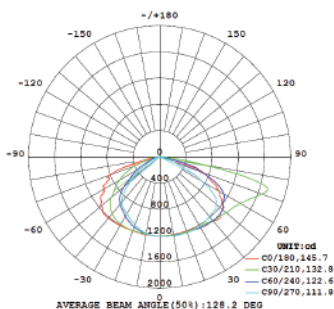
Type I



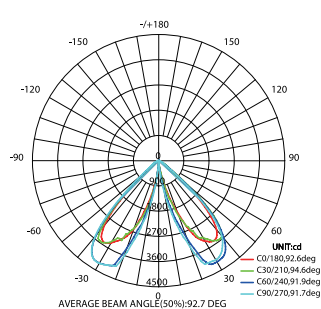
Type II



Type III



Type IV



Type VN

PERFORMANCE DATA

LUMEN OUTPUT

Lumen values are measured by third party certified laboratories performed in accordance with IESNA LM-79-08 as well as Lighting Facts listed.

Lumen Ambient Temperature (LAT) Multipliers

Use these factors to determine relative lumen output for average ambient temperature from -40-104°F (-40-40°C)

Nominal Watts	Measured Watts	Lumen Output	CCT	Dist. Type	CRI	LPW
30W	34W	3640lm	4000K	Type VN	>70	107
60W	59W	6430lm	4000K	Type I	>70	109
90W	87W	10000lm	4000K	Type VN	>70	115
150W	143W	15590lm	4000K	Type II	>70	109

Ambient		Multiplier
Celsius	Fahrenheit	
0	32	1.02
10	50	1.01
20	68	1.00
25	77	1.00
30	86	1.00
40	104	0.99

Ref#: 20250401

BUG Rating

Performed to IESNA LM-79-08 standards by a NVLAP accredited laboratory

Model	BUG Rating
VPT30401-T4	B2-U0-G1
VPT60401-T1	B2-U3-G1
VPT60401-T2	B2-U3-G1
VPT60401-T5	B3-U3-G0
VPT90401-T3	B3-U3-G2

Warranty

Five year limited warranty.

Note:

Specifications subject to change without notice.