

SUITABLE FOR MODEL



SAFETY INSTRUCTION



READ CAREFULLY BEFORE INSTALLING FIXTURE. PLEASE KEEP THIS MANUAL FOR FUTURE USE.

- MIN 90 °C SUPPLY CONDUCTORS/LES FILS D'ALIMENTATION 90 °C MIN
- DAMP LOCATIONS ONLY/POUR EMPLACEMENTS SECS SEULEMENT
- CAUTION – RISK OF FIRE/ATTENTION – RISQUE D'INCENDIE

THIS PRODUCT MUST BE INSTALLED IN ACCORDANCE WITH THE APPLICABLE INSTALLATION CODE BY A PERSON FAMILIAR WITH THE CONSTRUCTION AND OPERATION OF THE PRODUCT AND THE HAZARDS INVOLVED/CE PRODUIT

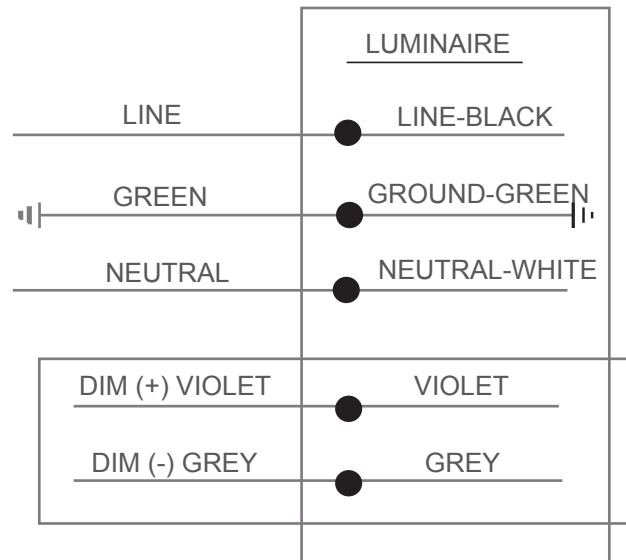
DOIT ÊTRE INSTALLÉ SELON LE CODE D'INSTALLATION PERTINENT, PAR UNE PERSONNE QUI CONNAÎT BIEN LE PRODUIT ET SON FONCTIONNEMENT AINSI QUE LES RISQUES INHÉRENTS

- Application temperature for ring light is -20 °C ~40 °C , humidity is 0~95 % . Otherwise there may be harm to the lifespan of the ring light.
- Please TURN OFF POWER before installation. This lamp must be installed and maintained by electrician or qualified personnel.
- Pay attention to fire prevention, electricity and shock resistance.
- Please do not cover the combustibles on the fixture.
- All screws and terminals should be tightened and tightly inserted. No loosening and improper connection are allowed. Attention should be paid to the polarity of components, power supply, driver and so on.
- Terminals should be tightened and tightly inserted. No loosening and improper

WIRE CONNECTION

Universal Voltage permits operation at 120VAC thru 277VAC, 50 or 60 Hz.

- Connect the black luminaire lead to the supply lead.
 - Connect the white luminaire lead to the neutral supply lead.
 - Connect the green or green/yellow ground lead to the green supply lead.
-
- If Dimming is an option; connect the violet dimming positive lead to the supply dimming positive lead. If dimming is not being used, ensure to cap off the violet lead.
 - If Dimming is an option; connect the grey dimming negative lead to the supply dimming negative lead. If dimming is not being used, ensure to cap off the grey lead.

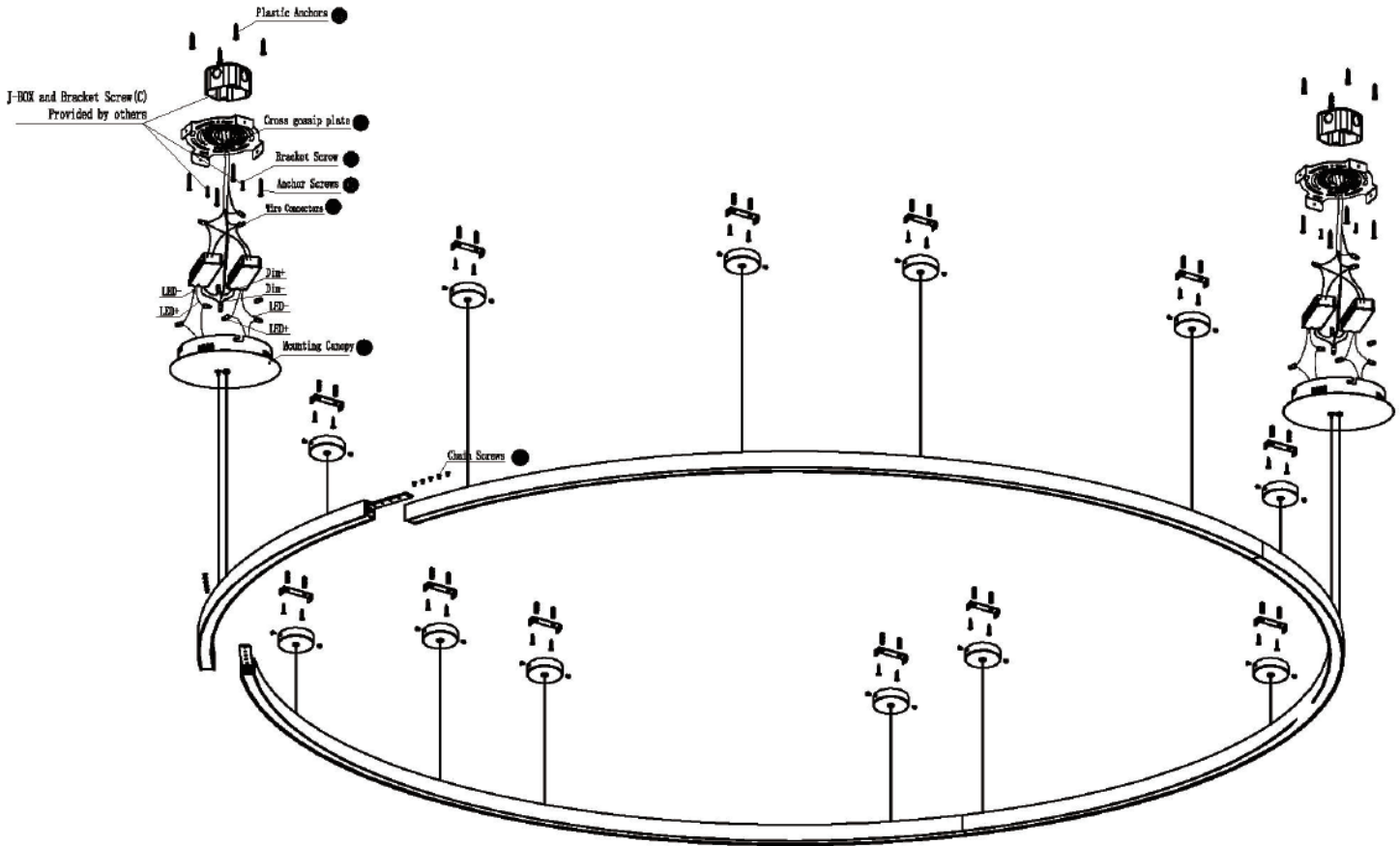


INSTALLATION

WARNING

Risk of injury or damage. Make certain power is OFF before installing or maintaining fixture.

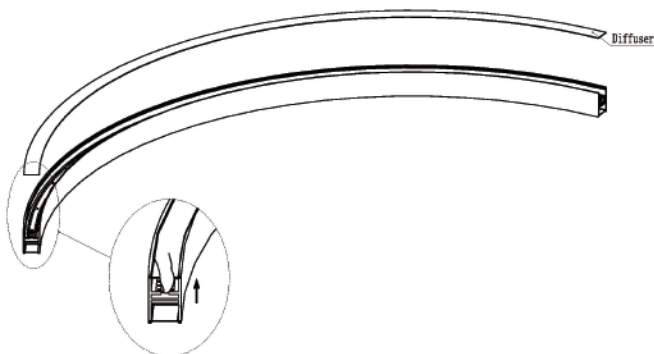
INSTALLATION DIAGRAM



INSTALLATION STEP

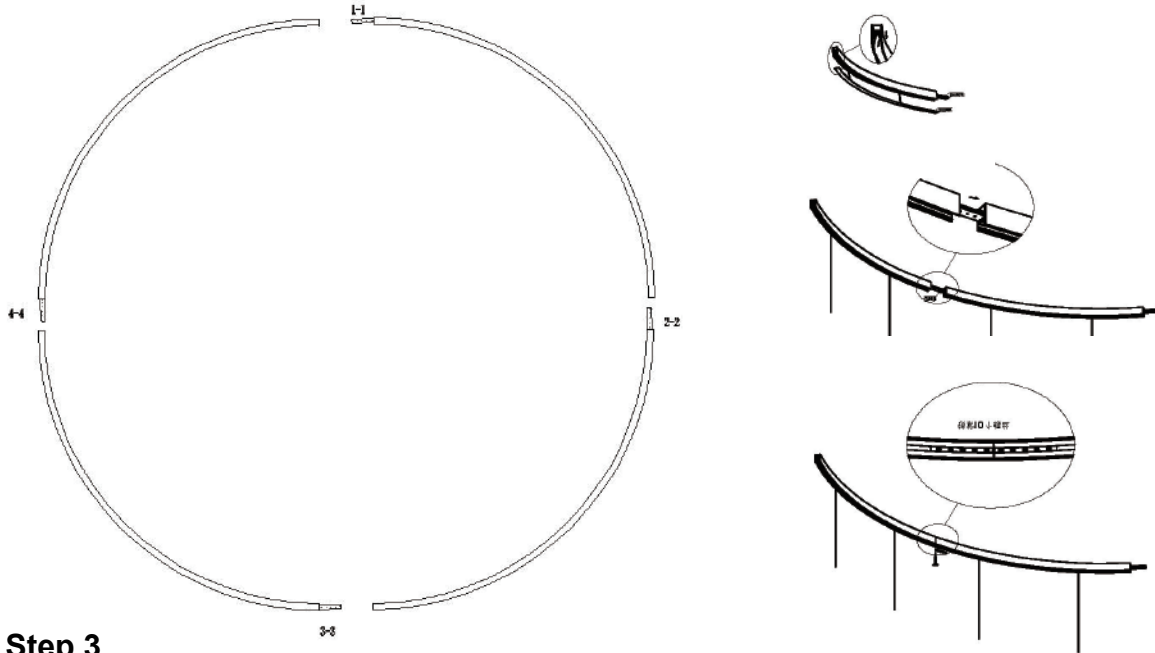
Step1

Take out Alu arc profile, and take out Top and Bottom PC diffuser from each profile.



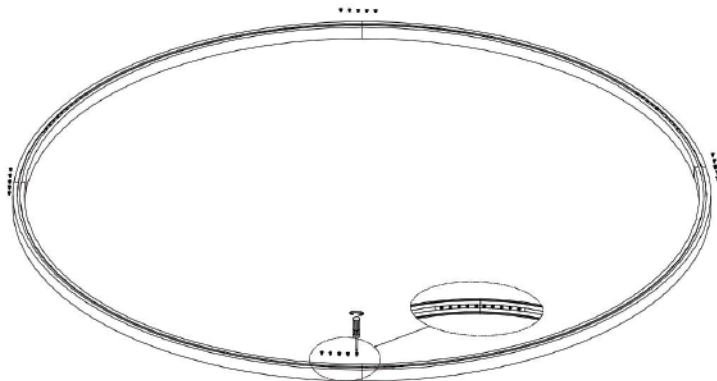
Step 2

Connect these arc profiles with Joiner like picture below (note: need to match 1-1 to 1-1, 2-2 to 2-2, 3-3 to 3-3, N-N--, especially N-N, should be push all Joiner into one profile, then pull half to another one), try To align each section and keep the profile match well.



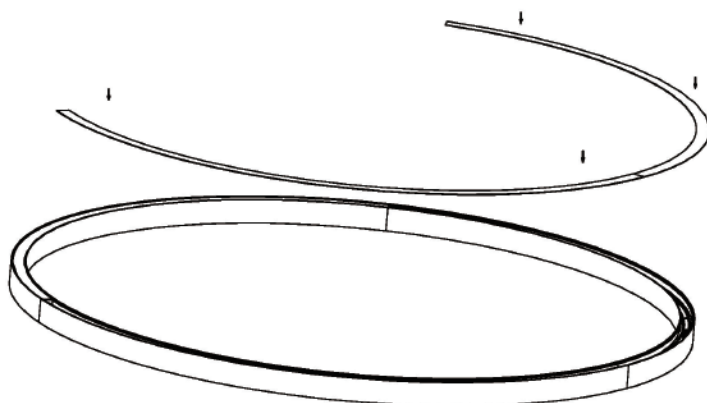
Step 3

Use Screws to fix connector. after that all profiles will be connected.



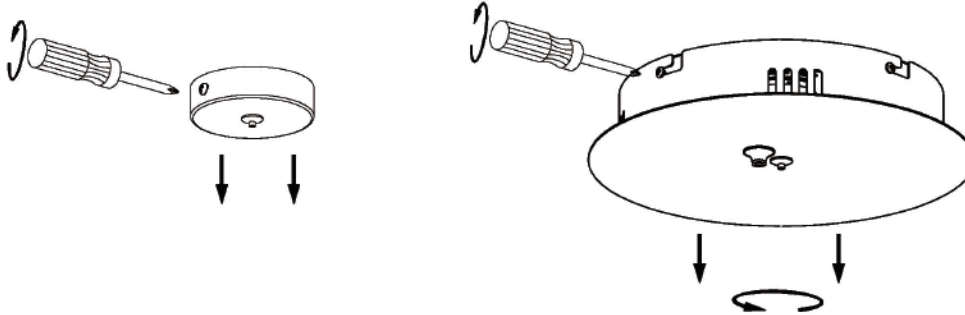
Step 4

Push Top and Bottom diffuser into profile slot.



Step 5

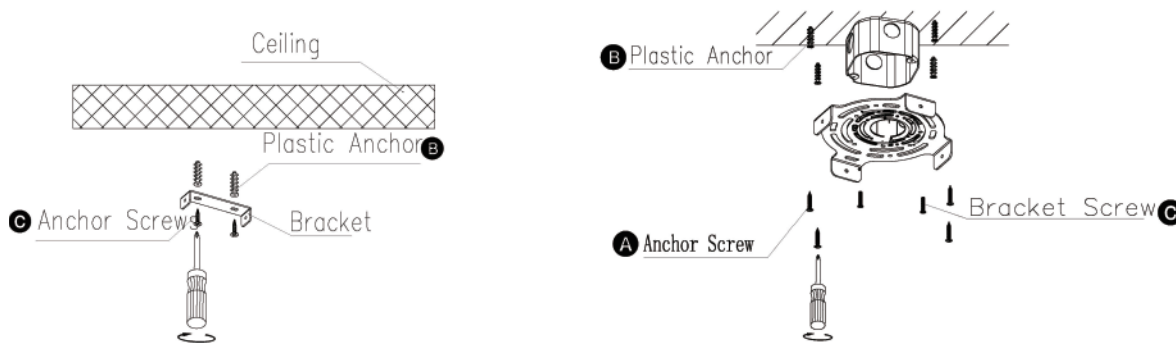
Relief screws from Canopy side, Rotate Mounting Bracket and take it out from Canopy as below.



Step 6

Take out Plastic Anchors, drill 2pcs(for 2"canopy) and 4pcs(for 10"canopy) diameter 6mm holes on the ceiling according to Mounting Bracket. Insert the Plastic Anchors into the holes. Use 2 pcs M4*25mm Bracket Screws to fix Mounting Bracket with J-Box, refer to picture shown below.

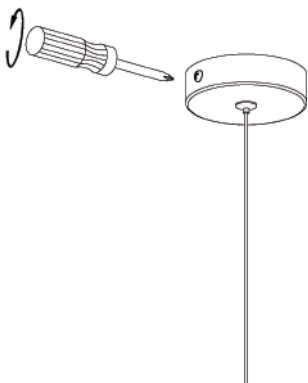
NOTE: J-BOX used by Garvin 54171-S or equivalent and Bracket Screw provided by others.



Attention: Must secure mounting plate at all connection points (junction box plus four outer points for small and medium size, or six outer points for large size) to support fixture weight appropriately. Not using all mounting points could damage the fixture and void product warranty.

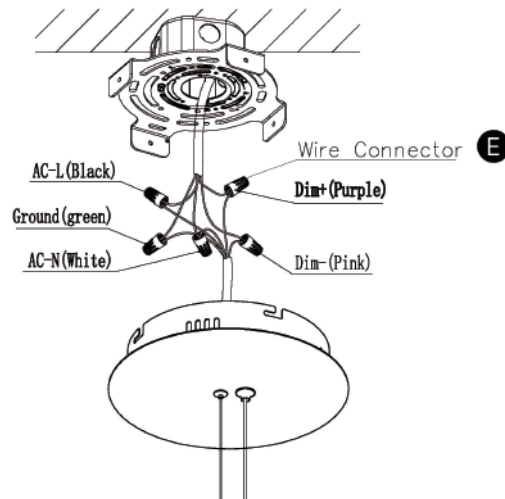
Step 7

Fix all the Bracket and Ceiling plate from side.



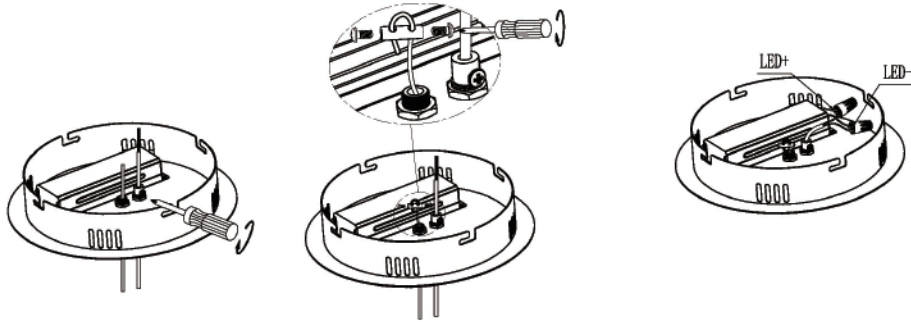
Step 8

Use wire connectors to connect L,N,G,DIM+,DIM- wires. After finish, put all wires with connector into J-Box.



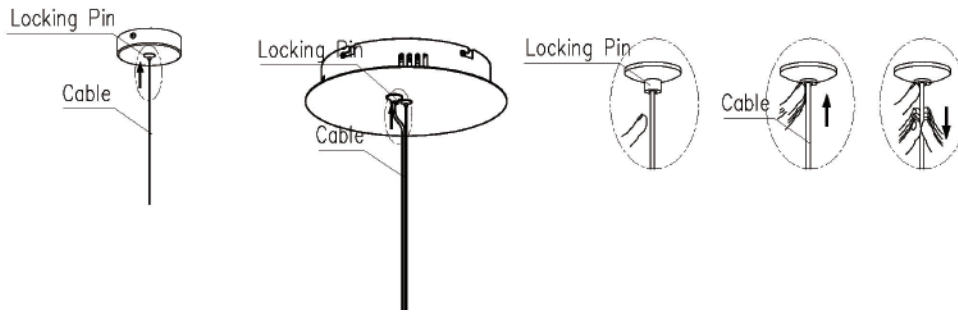
Step 9

Use Lock pin to fix safety cable and Cable



Step 10

Adjust the fixture safety cable and cable length, use screw to fix with Mounting Bracket and Mounting Canopy. Then loosen all the cables.



Step 11

Keep the Slot hole as vertical line with Side screw, put the lamp body upward. And make screw into slot, rotate Canopy and make Mounting Bracket and Canopy fixed.

After finish installation, turn on the electricity at main fuse box, the lighting works.

