



# VRD Tri-Ring Pendant

## Vicky Ring Downward Light



### PRODUCT DESCRIPTION

The Vicky Ring light is a unique ring style light with an LED light source illuminating downward. Aluminum body construction, combined with three different rings. The cable length can be adjustable.

### FEATURE

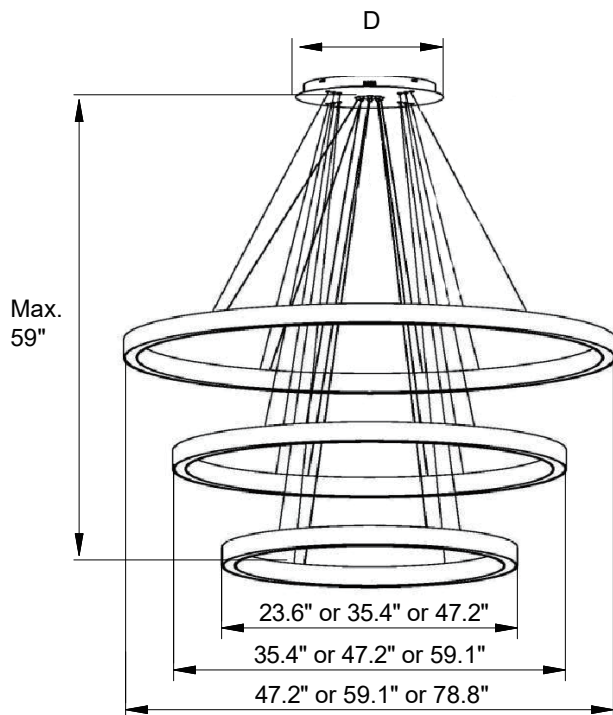
- Three ring lights combined
- Cable length adjustable
- Direct illumination

### ELECTRICAL SYSTEM

- Input Voltage: 120-277V, 50/60Hz
- 0-10V Dimming standard
- Minimum Ambient -20°C, Maximum Ambient is 40°C  
Power Factor: > 0.9 at full load
- Total Harmonic Distortion: < 20% at full load

### DIMENSION

Max Cable and wire cord length: 59" (1.5m)



### PERFORMANCE

CRI

90

CCT

3000K, 3500K, 4000K

Dimming

0-10V Dimming Standard

Projected Lifetime

L70 - 100,000 Hours

Working Temperature

-4-104°F (-20-40°C)

Certifications

- cETLus conforms to UL Std. 1598  
Cert. to CSA Std. G22.2 No.250.0
- Suitable for dry locations
- RoHs compliant

Mounting Canopy Dimension	
Watts/Diameter	D
TRI - 40W/Φ23.6" 50W/Φ35.4" 80W/Φ47.2"	14.0"(350mm)
TRI2 - 50W/Φ35.4" 80W/Φ47.2" 100W/Φ59.1"	18.0"(450mm)
TRI3 - 40W/Φ23.6" 80W/Φ47.2" 120W/Φ78.8"	20.0"(500mm)

## Ordering Information

Example: VR D - / - TRI - 40 90 1 - ACPMK - / - WH

1      2      3      4      5      6      7      8      9      10

### 1. Series

**VR** - Vicky Ring

### 2. Light Emitting

**D** - Downward Light

### 3. Acoustic Configuration

**Blank** - Light without Acoustic

### 4. Watts/Diameter

- |  |  |
|--|--|
| <input type="checkbox"/> <b>TRI</b> - 40W/φ23.6"<br>50W/φ35.4"<br>80W/φ47.2"   | <input type="checkbox"/> <b>TRI2</b> - 50W/φ35.4"<br>80W/φ47.2"<br>100W/φ59.1" |
| <input type="checkbox"/> <b>TRI3</b> - 40W/φ23.6"<br>80W/φ47.2"<br>120W/φ78.8" |  |

\* Custom diameters and combinations are available.

### 5. CCT

- 30** - 3000K     
  **40** - 4000K     
  **50** - 5000K

### 6. CRI

**90** - 90Ra

### 7. Voltage

**1** - 120-277V

### 8. Installation

**ACPMK** - Aircraft Cable  
Pendant Mount Kits

### 9. Controls

**Blank** - None

### 10. Frame Finish

**WH** - White

\* White finish frame is standard. Custom colors might be available for an additional fee. Please check with Customer Service for more information.

## PERFORMANCE DATA

### LUMEN OUTPUT

Lumen values are measured by third party certified laboratories performed in accordance with IESNA LM-79-08 as well as Lighting Facts listed.

Watts	Lumen Output	AC Input 120V	CCT	CRI	LPW
40	<b>3400</b>	0.33A	4000K	90	85
50	<b>4250</b>	0.42A	4000K	90	85
80	<b>6800</b>	0.67A	4000K	90	85
100	<b>8500</b>	0.83A	4000K	90	85
120	<b>10200</b>	1.00A	4000K	90	85

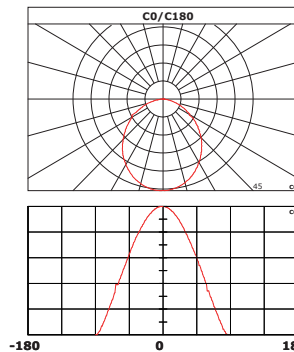
## Warranty

Five year limited warranty.

Notes: Specifications subject to change without notice.

## PHOTOMETRY

All published luminaire photo metric testing performed to IESNA LM-79-08 standards by a NVLAP certified laboratory. IESNA LM-79-08 specifies the entire luminaire as the source resulting in a fixture efficiency of 100%. Result may vary per actual order.



CIE Class: Direct  
 Measurement Flux: 6740.0 lm  
 Efficiency: 86.22 lm/W  
 Central Intensity: 2607.667cd  
 Max. Intensity: 2615.891cd  
 Field Angle(10%Imax): 155.94, 154.95