



## SELECTABLE MAGIC CYLINDER LIGHT

Pendant Mount / Surface Mount /Track Mount



## PRODUCT DESCRIPTION

This architectural Magic Cylinder Light is designed for accent lighting and features a state-of-the-art design. Thanks to the detachable tool-less modular design, the luminaire can be used as commercial pendant light, surface mounted light, monopoint spotlight, and track light. The anti-glare design allows for ideal control of visual comfort. It is widely used in shops and other commercial applications.

## FEATURE

- 3000K-3500K-4000K 3CCT Selectable
- Wattage Selectable
- 4 beam angles:15°, 24°, 36°and 50°
- Integral driver, isolated circuit
- 360° rotation (horizontal), 90° adjustable (vertical)
- Anti-glare design to reduce glare light
- Track mount, surface mount and pendant mount available
- Sleek, compact cylinder housing and no visible screws

## ELECTRICAL SYSTEM

- Input Voltage: 120V, 50/60Hz
- Minimum Ambient -10°C, Maximum Ambient is 25°C
- Power Factor: > 0.9 at full load
- Total Harmonic Distortion: < 20% at full load

## PERFORMANCE

CRI

90Ra

CCT

3000K, 3500K, 4000K

Dimming

Triac Dimming

Projected Lifetime

L70 - 100,000 Hours

Working Temperature

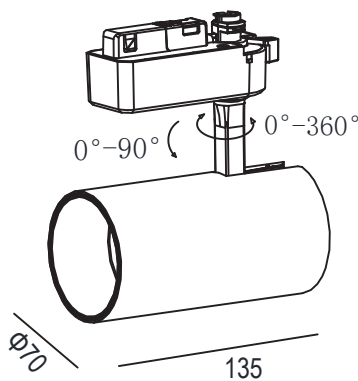
14-77°F (-10°C ~ +25°C)

Certifications

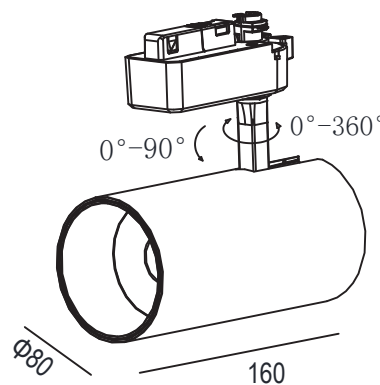
- cETLus conforms to UL Std. 1598  
Cert. to CSA Std. C22.2 No.250.0
- Suitable for dry locations
- RoHs compliant

## SPECIFICATION

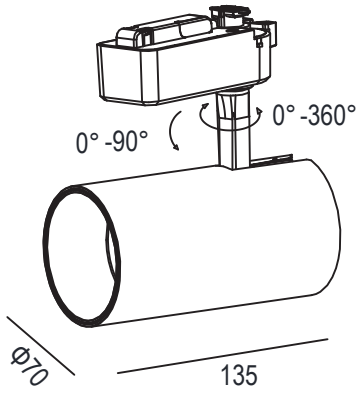
Unit:mm



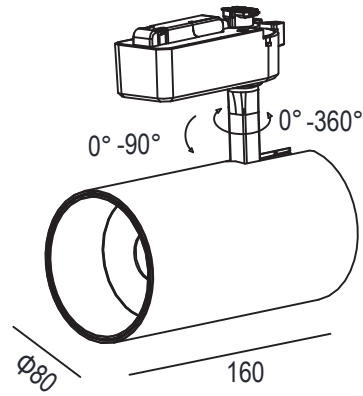
**H-type Track Mount 25W**



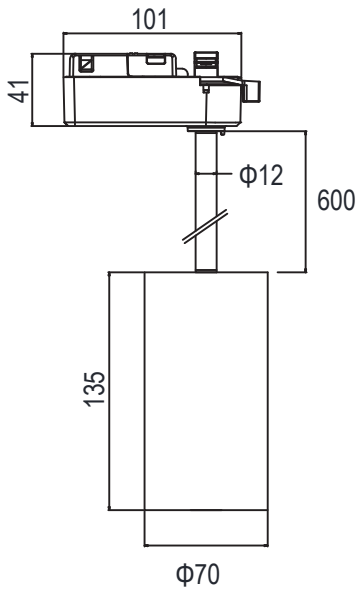
**H-type Track Mount 35W**



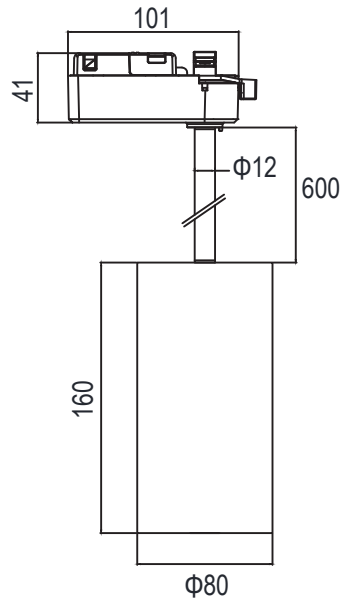
**J-type Track Mount 25W**



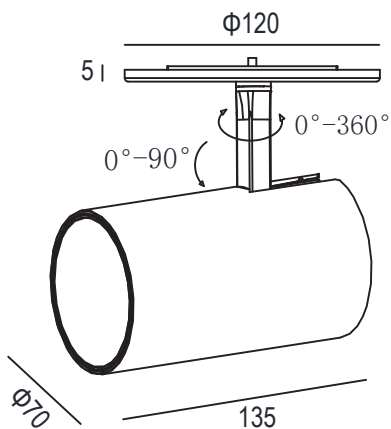
**J-type Track Mount 35W**



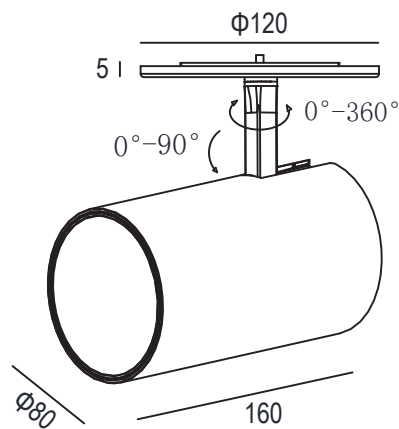
**Track Pendant Mount 25W**



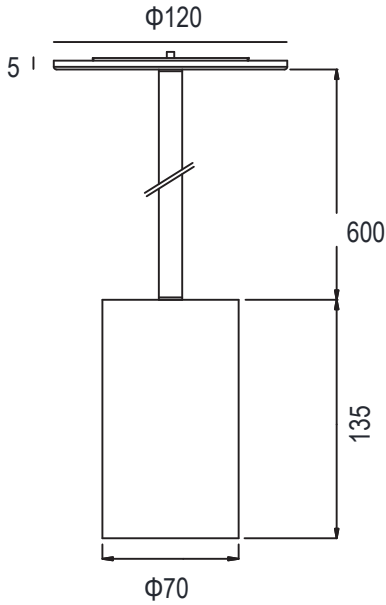
**Track Pendant Mount 35W**



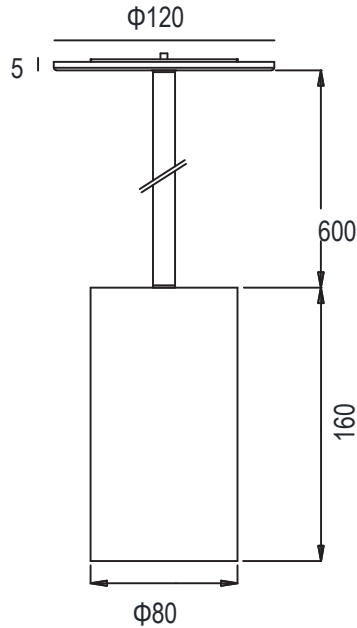
**Surface Mount 25W**



**Surface Mount 35W**



**Pendant Mount 25W**



**Pendant Mount 35W**

## Ordering Information

**Example: SMCL-25SP-SW904-36-PMK-MBK**

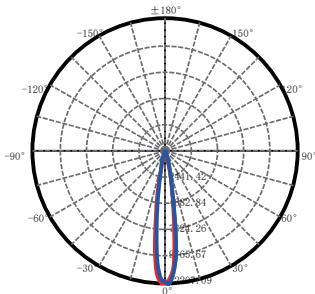
Strip	-Watts	- CCT&CRI <sup>1</sup>	Voltage	- Beaming Angle <sup>2</sup>	Installation <sup>3</sup>	- Controls	- Finish
<b>SMCL</b>	<b>25SP</b> - 15/20/25W <sup>1</sup> Selectable	<b>SW90</b> - 3000/3500/4000K <sup>3</sup> Selectable, 90CRI	4-120V	15-15° 24-24° 36-36° 50-50°	<b>PMK</b> - Pendant Mount <b>SMK</b> - Surface Mount <b>HTMK</b> - H-type Track Mount <b>JTMK</b> - J-type Track Mount <b>HTPMK</b> - H-type Track Pendant Mount <b>JTPMK</b> - J-type Track Pendant Mount	<b>Blank</b> - None	<b>MBK</b> - Matt Black <b>MWH</b> - Matt White
	<b>35SP</b> - 25/30/35W <sup>2</sup> Selectable						

1. 25W is default setting.
2. 35W is default setting.
3. 3000K is default setting.

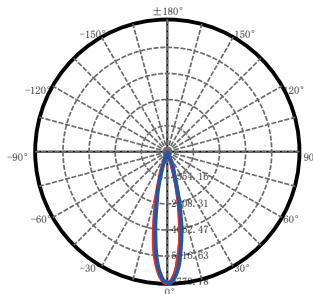
\* White and black finish are standard. Additional charge will apply for other customized finish colors and longer lead time.

## PHOTOMETRY

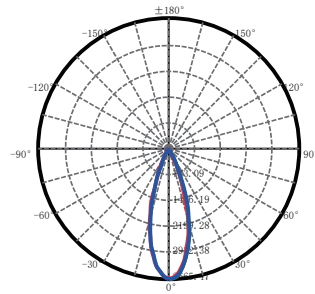
All published luminaire photometric testing performed to IESNA LM-79-08 standards by a NVLAP certified laboratory.



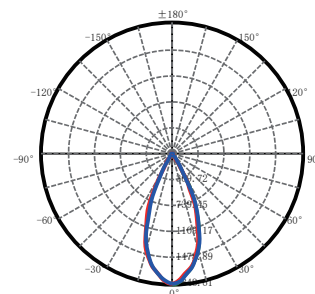
15 degree



24 degree



36 degree



50 degree

## PERFORMANCE DATA

### LUMEN OUTPUT

D70 x 135mm

Nominal Watts	Measured Watts	Lumen Output	Diameter	Beam Angle	CRI	AC Input 120V	CCT	LPW
15	14	1150	70	15°	90	0.12A	3000K	82
15	14	1150	70	24°	90	0.12A	3000K	82
15	14	1150	70	36°	90	0.12A	3000K	82
15	14	930	70	50°	90	0.12A	3000K	62
20	19.7	1500	70	15°	90	0.17A	3000K	76
20	19.7	1500	70	24°	90	0.17A	3000K	76
20	19.7	1500	70	36°	90	0.17A	3000K	76
20	19.7	1200	70	50°	90	0.17A	3000K	62
25	25	1770	70	15°	90	0.20A	3000K	71
25	25	1770	70	24°	90	0.20A	3000K	71
25	25	1770	70	36°	90	0.20A	3000K	71
25	25	1400	70	50°	90	0.20A	3000K	57

## D80 x 160mm

Nominal Watts	Measured Watts	Lumen Output	Diameter	Beam Angle	CRI	AC Input 120V	CCT	LPW
25	25	2200	80	15°	90	0.20A	3000K	88
25	25	2200	80	24°	90	0.20A	3000K	88
25	25	2200	80	36°	90	0.20A	3000K	88
25	25	1740	80	50°	90	0.20A	3000K	69
30	31	2500	80	15°	90	0.25A	3000K	82
30	31	2500	80	24°	90	0.25A	3000K	82
30	31	2500	80	36°	90	0.25A	3000K	82
30	31	2000	80	50°	90	0.25A	3000K	65
35	35	2800	80	15°	90	0.29A	3000K	80
35	35	2800	80	24°	90	0.29A	3000K	80
35	35	2800	80	36°	90	0.29A	3000K	80
35	35	2200	80	50°	90	0.29A	3000K	63

## COMPATIBLE DIMMER

## COMPATIBLE TRACK SYSTEM

Brand	Model
DIVA	DVCL-153P
DIVA	DVELV-300P
LEVITON	IP106
LEVITON	IP1106
LEVITON	6633-P
LEVITON	6613-P
SKYLARK	CTCL-153P
SKYLARK	S-600
MAESTRO	MS-OP600G
COOPER	MLV-600
Toggler	TGCL-153P

Track Type	Compatible Track Brand
H-type	HALO 120V single circuit track system
J-type	JUNO 120V single circuit track system

## Warranty

Five year limited warranty.