



FOCUS ROUND LIGHT



PRODUCT DESCRIPTION

The Focus Round Light offers the FOCUS family of LED fixtures in diameters from 13.5" through 46.9". Recessed light source design achieving perfect glare control. Edge-lit technology and non-yellowing microprismatic optical PMMA. Flexible installations come in pendant, surface and wall mounted. Options are available in selectable white, direct and indirect light distributions.

FEATURE

- Fixtures in diameters from 13.5" through 46.9"
- Recessed light source design achieving perfect glare control
- Edge-lit technology and non-yellowing optical PMMA
- Rod and Aircraft Cable Pendant mounted and surface mounted
- Direct and indirect light distributions
- Integrated driver design reduce the time to recess the driver into junction box

ELECTRICAL SYSTEM

- Input Voltage: 120-277V, 50/60Hz
- 0-10V Dimming standard
- Minimum Ambient -20°C, Maximum Ambient is 40°C
Power Factor: > 0.9 at full load
- Total Harmonic Distortion: < 20% at full load

PERFORMANCE

CRI

80 is standard
90 is optional

CCT

3000K, 3500K, 4000K

Dimming

0-10V Dimming Standard

Projected Lifetime

L70 - 100,000 Hours

Working Temperature

-4-104°F (-20-40°C)

Certifications

- cETLus conforms to UL Std. 1598
Cert. to CSA Std. C22.2 No.250.0
- Suitable for damp locations
- RoHs compliant

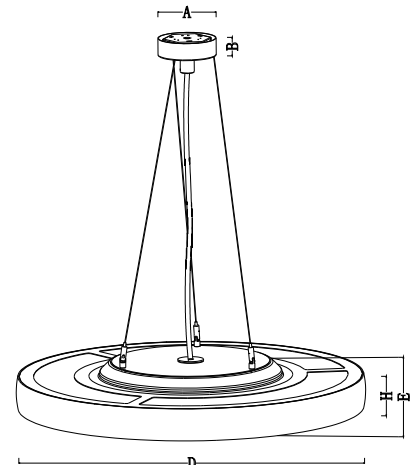
SPECIFICATION

Wire Cord Length: 47.2"(1200mm)

Aircraft Cable Length: 98.4"(2500mm)

Pendant Rod Length: 39.4"(1000mm)

D	A	B	E	H	Net Weight
13.5"(342mm)	5.9"(150mm)	1.18"(30mm)	3.19"(81mm)	2.2"(56mm)	6.5 lbs
17.4"(442mm)	5.9"(150mm)	1.18"(30mm)	3.19"(81mm)	2.2"(56mm)	9.9 lbs
23.3"(592mm)	5.9"(150mm)	1.18"(30mm)	3.19"(81mm)	2.2"(56mm)	15.5 lbs
35.1"(892mm)	5.9"(150mm)	1.18"(30mm)	3.19"(81mm)	2.2"(56mm)	32.2 lbs
46.9"(1192mm)	5.9"(150mm)	1.18"(30mm)	3.19"(81mm)	2.2"(56mm)	60.5 lbs



* The net weight doesn't include any mounting kits.

Ordering Information

Example: FRID24-64-40801

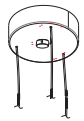
Series	Distribution	Diameter/Watts	- CCT	CRI	Voltage	Installation	- Controls	- Finish
FR	D - Direct	14-23 - 13.5"/23W ¹	- 30 - 3000K	80- 80Ra ³	1-120-277V	Ordered and shipped separately ⁴	- Blank-None	- Blank-White
		18-42 - 17.4"/42W	35 - 3500K	90- 90Ra ³				BK - Black
		24-64 - 23.3"/64W	40 - 4000K					Optional Finish Colors
		35-102 - 35.1"/102W	SW - 3000K/3500K			ACPMK-FR Aircraft Cable Pendant Mount Kits		(Need Additional Charge)*
		47-136 - 46.9"/136W ¹	/4000K selectable ²			RPMK-FR Rod Pendant Mount Kits		
	ID- Direct and Indirect	14-28 - 13.5"/28W ¹				SMK-FR Surface Mount Kits		
		18-42 - 17.4"/42W						
		24-64 - 23.3"/64W						
		35-102 - 35.1"/102W						
		47-136 - 46.9"/136W ¹						

Notice:

1. 13.8" and 47.2" sizes are available as special order. Please contact customer service
2. CCT selectable is available as special order. Please contact customer service
3. 80CRI is standard. 90 CRI can be available for an additional fee. Please contact customer service
4. Mounting kits need to be bought separately.

* Standard Finish is White and Black. Additional charges will apply for all the other colors. Please contact customer service for premium adder.

Accessories (Order and ship separately)

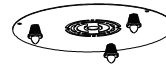


ACPMK-FR
Aircraft Cable
Pendant Mount Kits
for Focus Light



RPMK-FR14/18/24
Rod Pendant Mount Kits
for 14"/18"/24" Focus Light

RPMK-FR35/47
Rod Pendant Mount Kits
for 35"/47" Focus Light



SMK-FR14/18
Surface Mount Kits
for 14"/18" Focus Light

SMK-FR24
Surface Mount Kits
for 24" Focus Light

SMK-FR35/47
Surface Mount Kits
for 35"/47" Focus Light

Finish Color Options



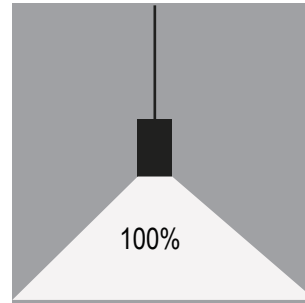
PERFORMANCE DATA

LUMEN OUTPUT

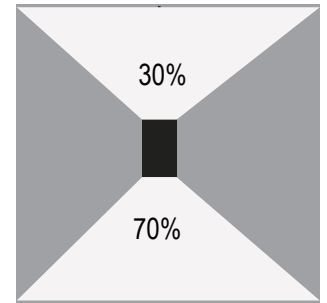
Lumen values are measured by third party certified laboratories performed in accordance with IESNA LM-79-08 as well as Lighting Facts listed.

Watts	Lumen Output	Size	AC Input 120V	CCT	CRI
23	2000	14"	0.19A	4000K	80
42	4000	18"	0.35A	4000K	80
64	6600	24"	0.53A	4000K	80
102	11000	35"	0.85A	4000K	80
136	15000	47"	1.13A	4000K	80
28	2400	14"	0.23A	4000K	80

Illumination Ratio



Direct



Direct and Indirect

Ref#: 20250217



Rod Pendant Mount



Aircraft Cable Pendant Mount



Surface Mount

Warranty

Five year limited warranty.

Note:

Specifications subject to change without notice.