



SAFETY INSTRUCTION



READ CAREFULLY BEFORE INSTALLING FIXTURE. PLEASE KEEP THIS MANUAL FOR FUTURE USE.

Fixtures must be wired in accordance with the National Electrical Code and all applicable local codes. Proper grounding is required for safety.

THIS PRODUCT MUST BE INSTALLED IN ACCORDANCE WITH THE APPLICATION CODE BY A PERSON FAMILIAR WITH THE CONSTRUCTION AND OPERATION OF THE PRODUCT AND THE HAZARDS INVOLVED. MAKE CERTAIN POWER IS OFF BEFORE INSTALLING OR MAINTAINING FIXTURE.

CHECK THAT VOLTAGE IS COMPATIBLE WITH FIXTURE DRIVER. USE APPROVED CONNECTORS FOR ALL ELECTRICAL CONNECTIONS.

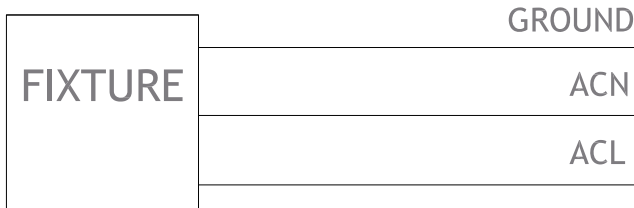
MAINTENANCE CAUTION



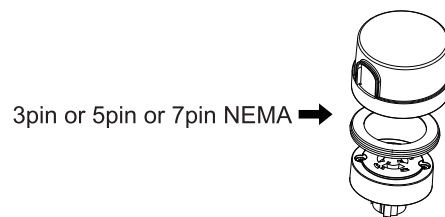
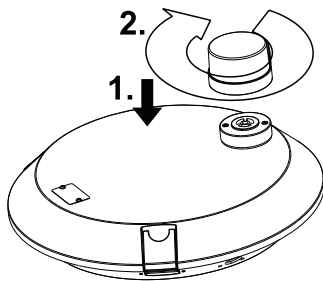
1. Review the wire connection before beginning, and make sure fixture is grounded properly.
2. For lighting controls, follow control instructions carefully.
3. Turn power off and wait for fixture to cool before performing maintenance.
4. Maintenance must be done by professionals.

Wire Connection

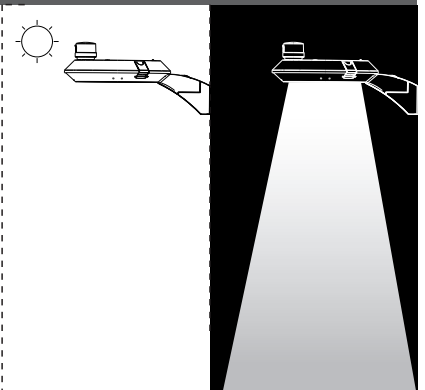
Universal voltage driver permits operation at 120VAC thru 277VAC, 50 or 60 Hz.



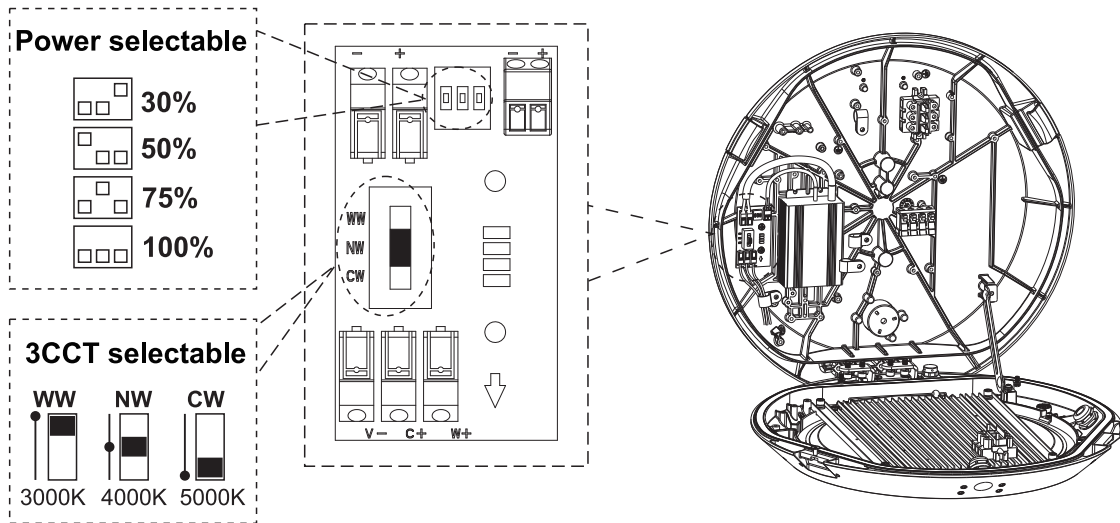
Twist Lock Photocell (Optional)



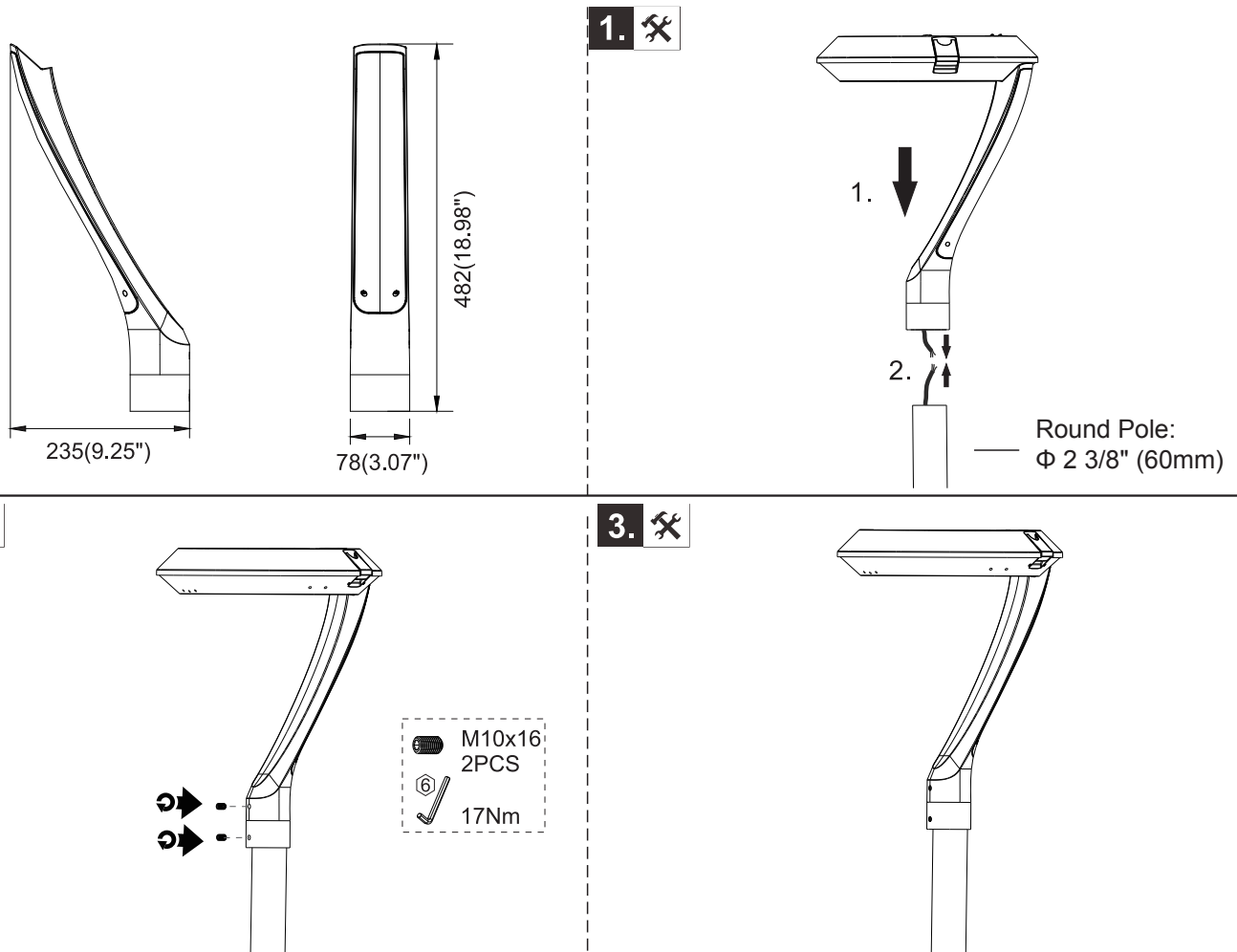
Note: If the luminaire use 3 pin or 5 pin or 7 pin NEMA, it need to add a waterproof gasket between socket and photocell controller.



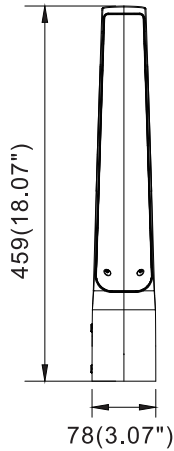
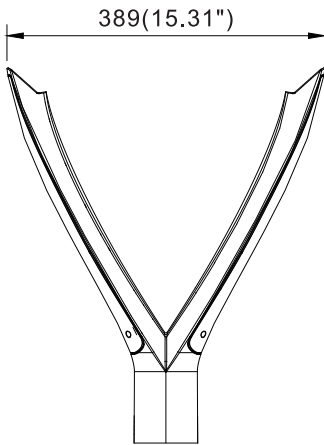
CCT and Power Selectable



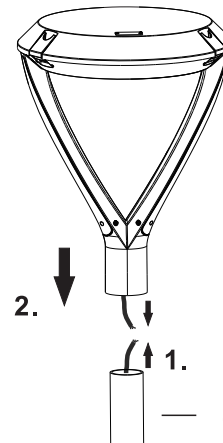
Single Arm Mount



Twins Arm Mount

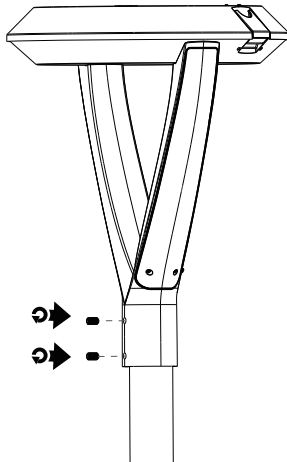


1.



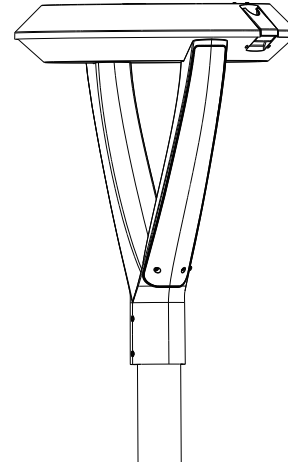
Round Pole:
Φ 2 3/8" (60mm)

2.

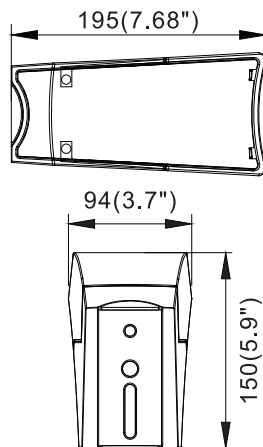
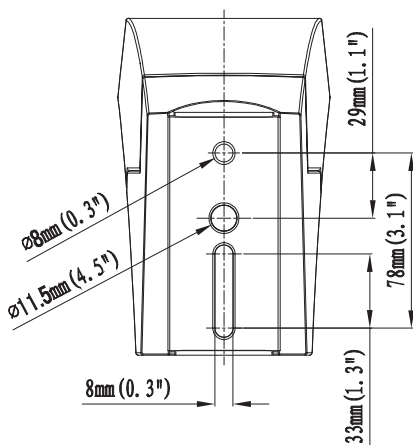


M10x16
2PCS
17Nm

3.

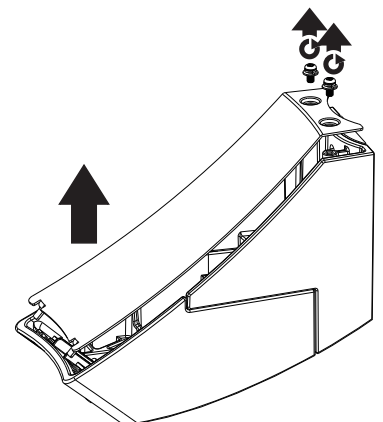


Side Arm Mount



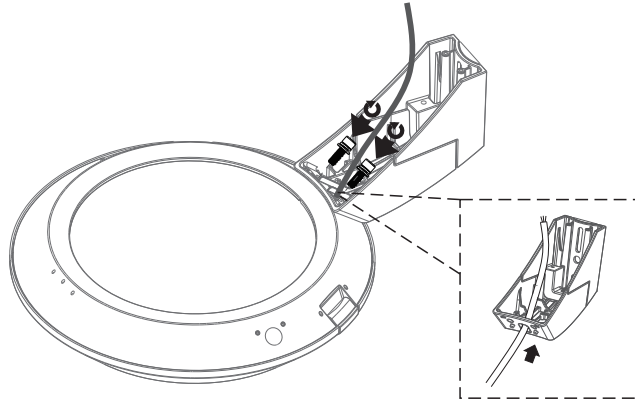
1.

M4
2PCS
1.2Nm



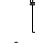

2. ✂

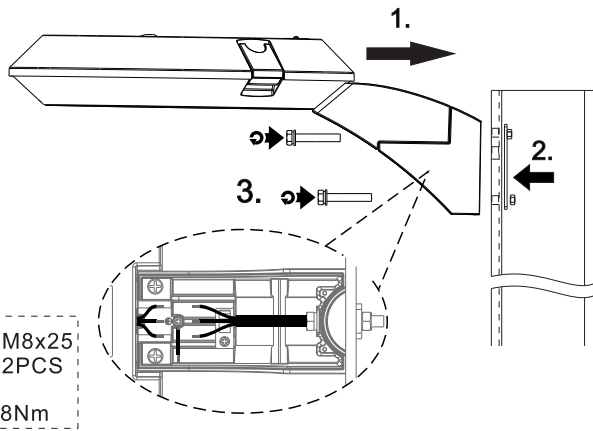
-  M8x25
2PCS
-  8Nm





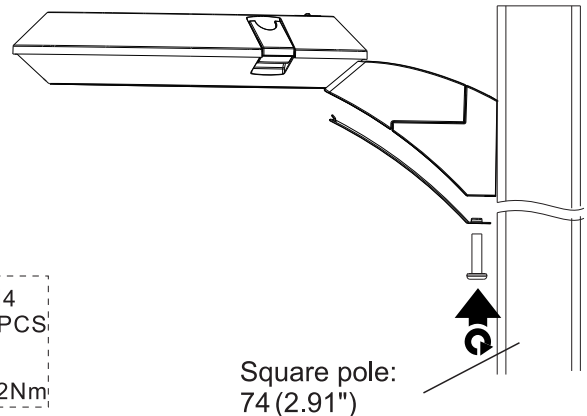
3. ✂

Square pole installation

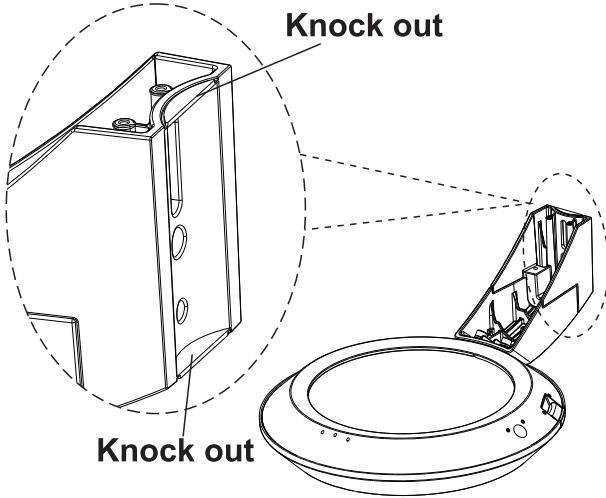
-  M8x25
2PCS
-  8Nm





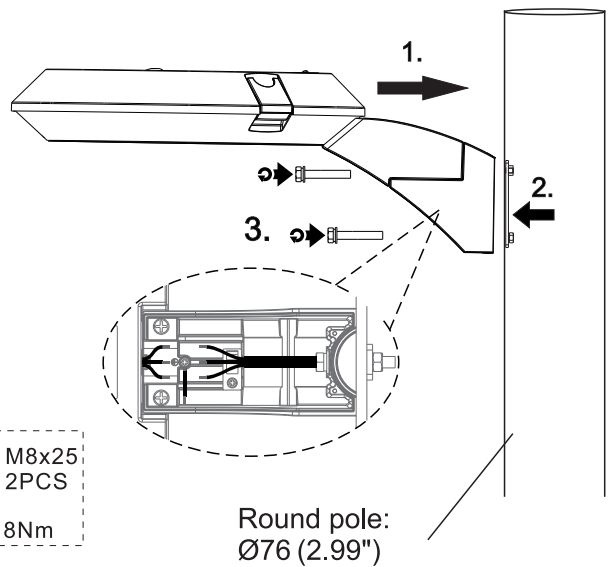
-  M4
2PCS
-  1.2Nm



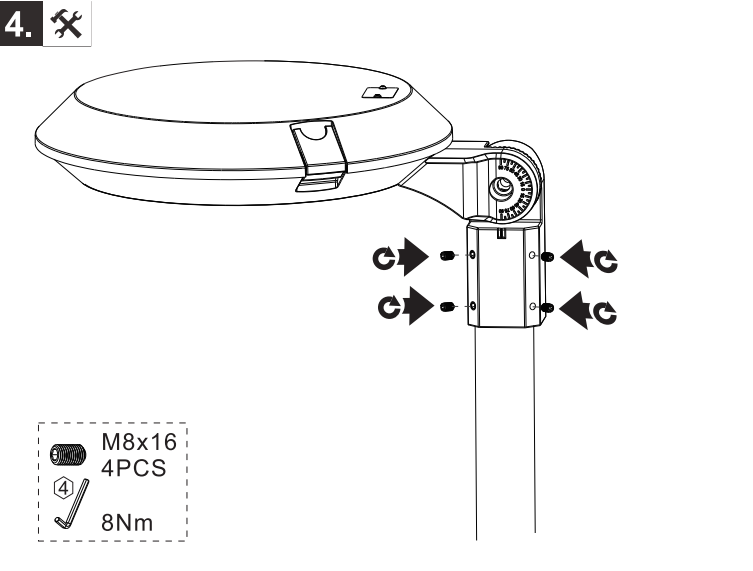
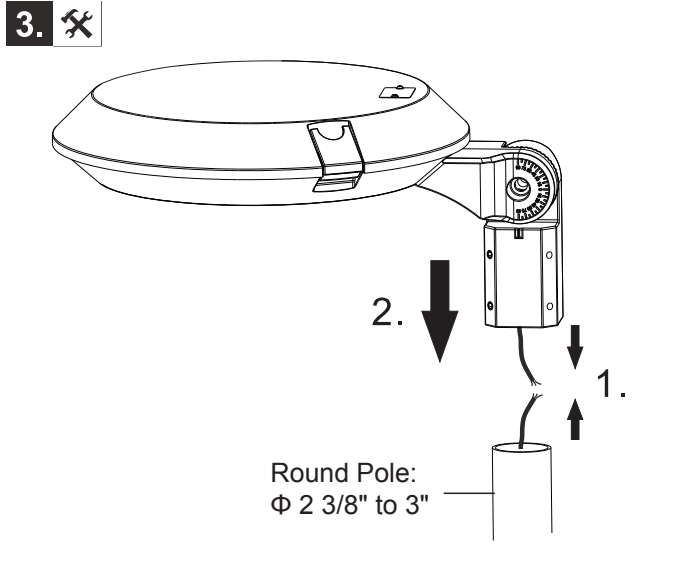
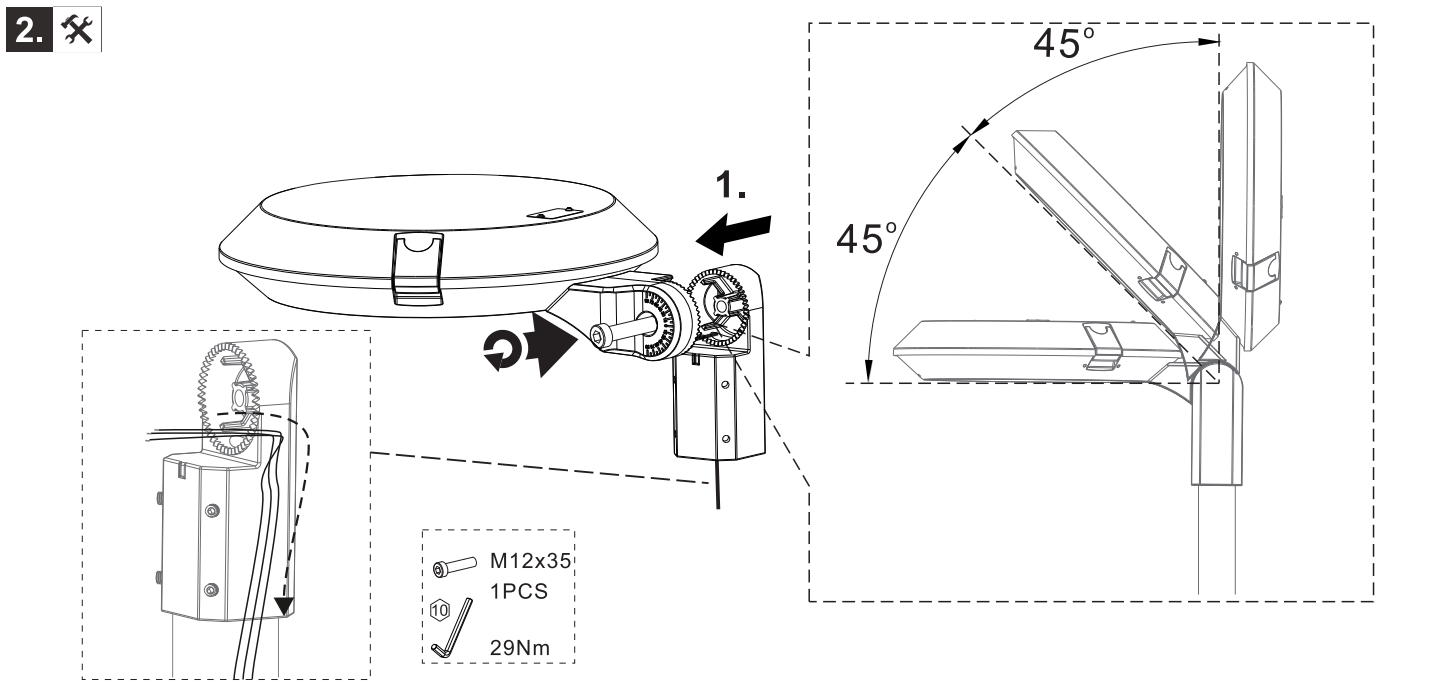
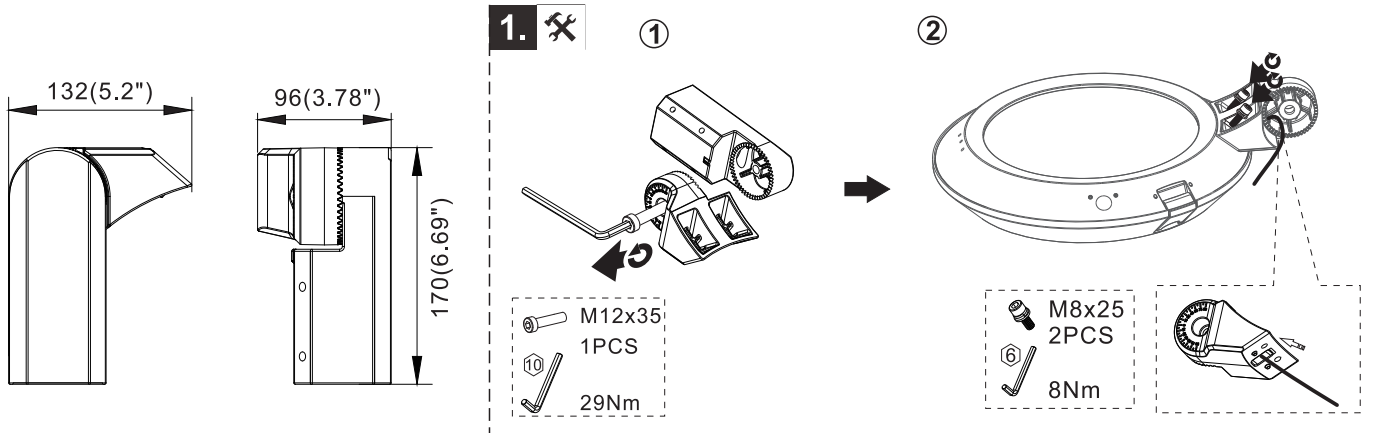
Round pole installation



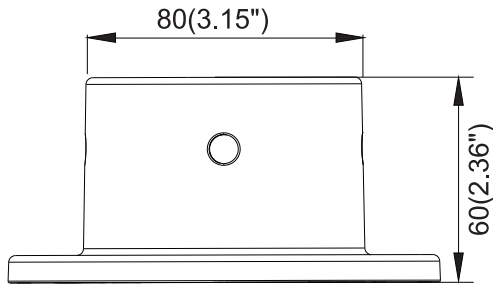
-  M8x25
2PCS
-  8Nm



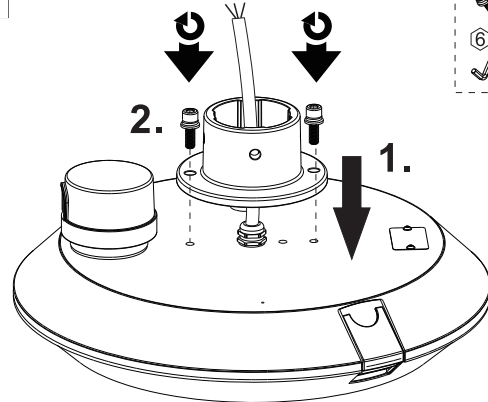
Slip Fitter Mount



Gooseneck Mount

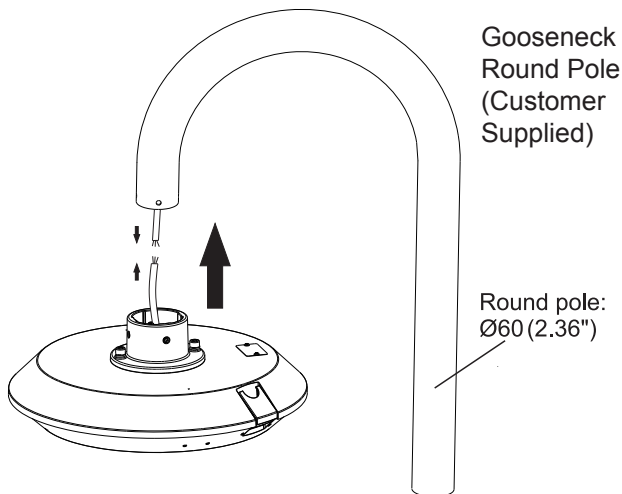


1.

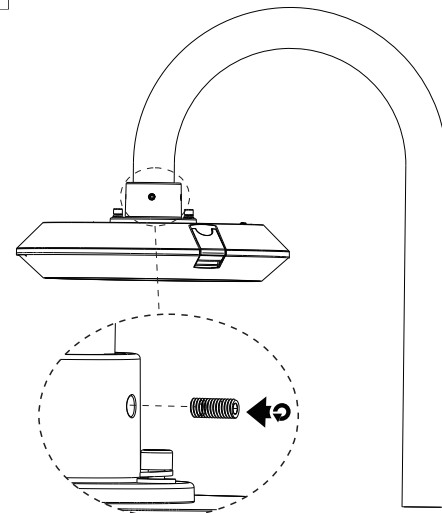


- M8x25
2PCS
- 8Nm

2.



3.



- M10x16
4PCS
- 17Nm