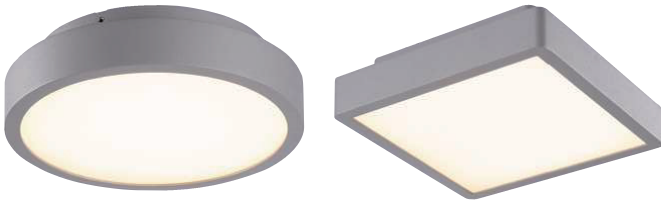


OFM LED FLUSH MOUNT LIGHT



PRODUCT DESCRIPTION

The OFM outdoor flush mount light comes in round and square shapes. Body and bracket in die-cast aluminum. Powder coated with pretreatment plus silicon rubber gasket for outdoor use. Simple and elegant appearance is ideal for general illumination for residential and commercial applications such as porches, covered walkways and store entrances.

FEATURE

- Die-cast aluminum body and polycarbonate lens
- Round and square shape optional
- Driverless design
- Ceiling and wall surface mounted
- Suitable for wet locations

ELECTRICAL SYSTEM

- Input Voltage: 120V, 50Hz
- Minimum Ambient -20°C, Maximum Ambient is 40°C
- Power Factor: > 0.9 at full load
- Total Harmonic Distortion: < 20% at full load

PERFORMANCE

CRI

80

CCT

3000K

Dimming

None

Projected Lifetime

L70 - 100,000 Hours

Working Temperature

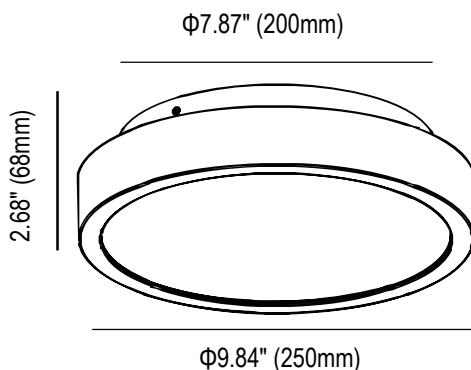
-4-104°F (-20-40°C)

Certifications

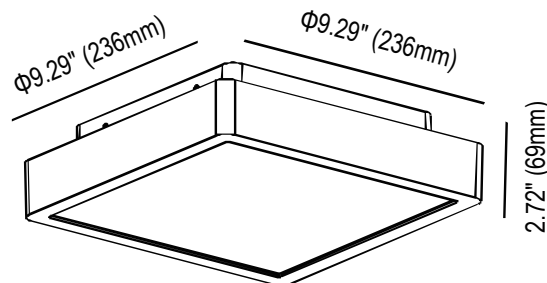
- cETLus conforms to UL Std. 1598
Cert. to CSA Std. C22.2 No.250.0
- IP54 suitable for wet locations
- RoHS compliant

SPECIFICATION

Round



Square



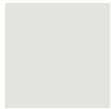
Ordering Information

Example: OFMR18304-WH

Series	Shape	Wattage	CCT	Voltage	Controls	Finish	
OFM	R - Round S - Square	18 - 18 Watts	30 - 3000K	4 - 120V	- Blank - None	- Standard WH - White	Optional* BK - Black SL - Silver GR - Graphite RU - Rusty (See Notes)

Notice:

* Standard Finish is White. Additional charge will apply for optional finish color.



White RAL9003



Graphite RAL7024



Black RAL7021



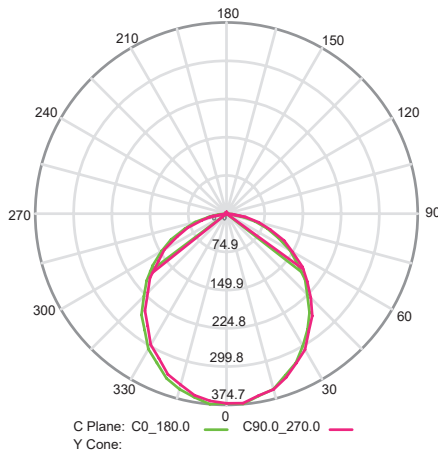
Silver 422C



Rusty

PHOTOMETRY

All published luminaire photo metric testing performed to IESNA LM-79-08 standards by a NVLAP certified laboratory.



PERFORMANCE DATA

LUMEN OUTPUT

Lumen values are measured by third party certified laboratories performed in accordance with IESNA LM-79-08 as well as Lighting Facts listed.

Watts	Lumen Output	Shape	AC Input 120V	CCT	CRI
18	900	Round	0.15A	3000K	80
18	800	Square	0.15A	3000K	80

Warranty

Three year limited warranty.

Please refer to the instruction manual for motion sensor default setting.