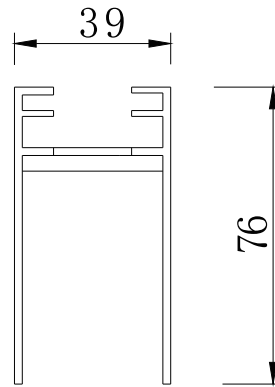


Magnetic track light system

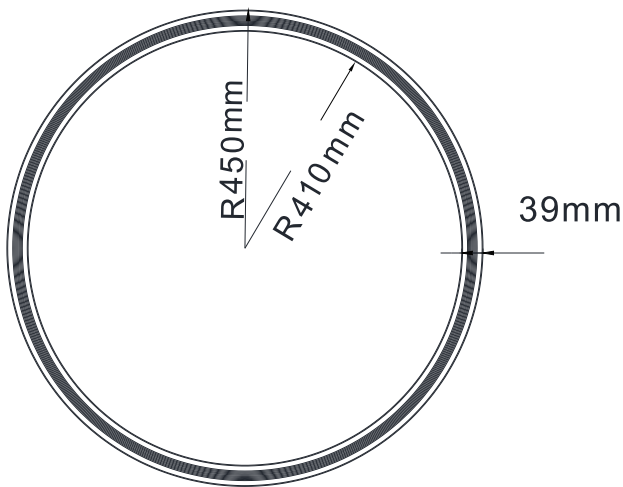
Installation Manual



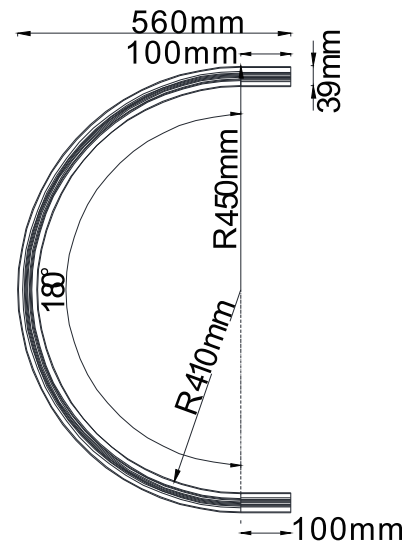
Curvy Version



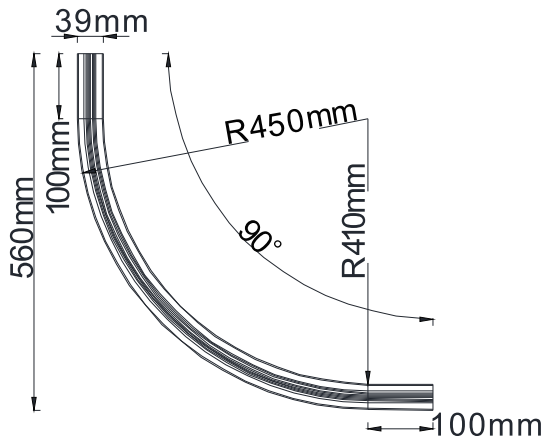
Curvy full-D9



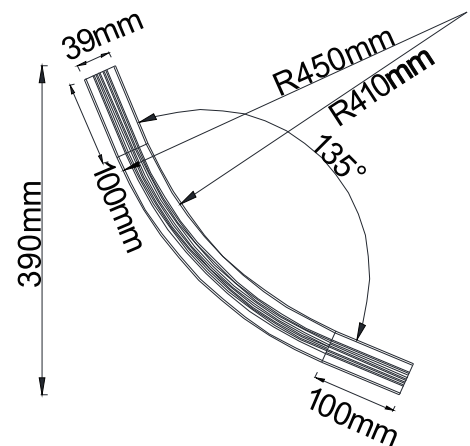
Curvy 1/2-D9



Curvy 1/4-D9



Curvy 1/8-D9



CAUTION:

1. BEFORE INSTALLING THE LIGHT FIXTURES, PLEASE READ THE INSTALLATION INSTRUCTIONS CAREFULLY.
2. DISCONNECT POWER AT CIRCUIT BREAKER BEFORE INSTALLATION OR SERVICING.
3. DO NOT INSTALL THE TRACK IN DAMP OR WET LOCATIONS.
4. THIS TRACK IS IP20, INDOOR USE ONLY.
5. ALL ELECTRICAL CONNECTIONS SHOULD BE DONE BY A QUALIFIED ELECTRICIAN.

CONTENTS:



Pendant mounted	1-3
Surface mounted with kits	4-5
Recessed mounted with kits	6-7
Curvy tracks connection	8

PENDANT MOUNTED

INSTALLATION INSTRUCTIONS

CAUTION:

1. BEFORE INSTALLING THE LIGHT FIXTURES, PLEASE READ THE INSTALLATION INSTRUCTIONS CAREFULLY.
2. DISCONNECT POWER AT CIRCUIT BREAKER BEFORE INSTALLATION OR SERVICING.
3. DO NOT INSTALL THE TRACK IN DAMP OR WET LOCATIONS.
4. THIS TRACK IS IP20, INDOOR USE ONLY.
5. ALL ELECTRICAL CONNECTIONS SHOULD BE DONE BY A QUALIFIED ELECTRICIAN.

PENDANT MOUNTED

INCLUDED HARDWARE

- 1 × PENDANT POWER CABLE
- 1 × ALLEN WRENCH
- 1 × WIRE CLIP
- 2 × SMALL SREWS
- 3 × Wire cap

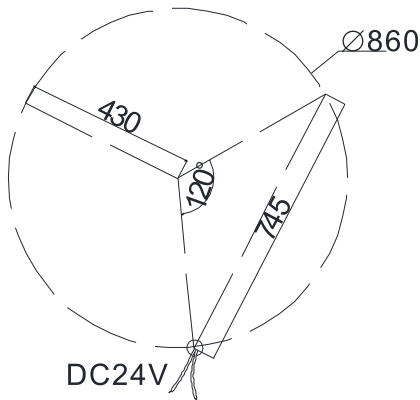
PENDANT KIT-B WHICH INCLUDES:

- 1 × SUSPENSION CABLE
- 1 × ALLEN WRENCH
- 1 × WIRE CLIP
- 2 × SMALL SREWS

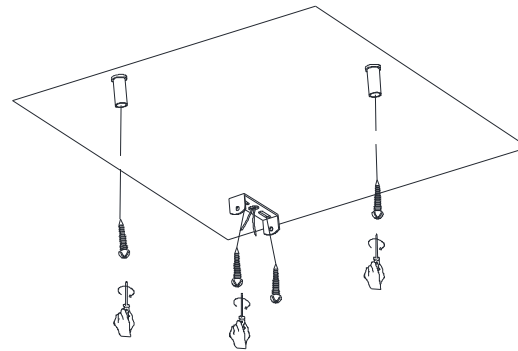
- 1 × CROSS BAR
- 2 × LONG SCREWS
- 2 × WALL PLUGS
- 2 × M4*16 SCREW

- 1 × CROSS BAR
- 2 × LONG SCREWS
- 2 × WALL PLUGS
- 2 × M4*16 SCREW

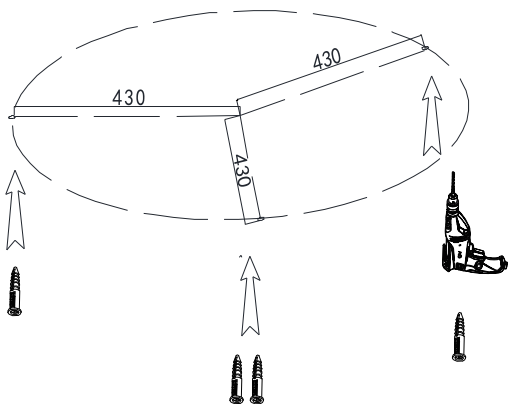
01 MARK THE CENTER LINE WHERE TRACK IS TO BE INSTALLED



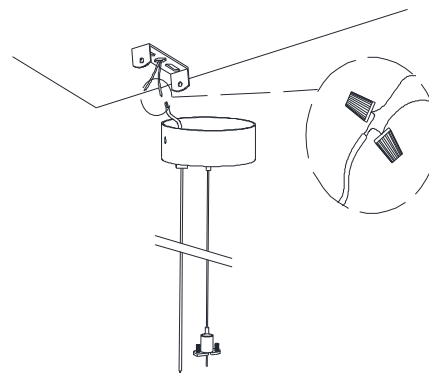
03 INSTALL CROSS BAR



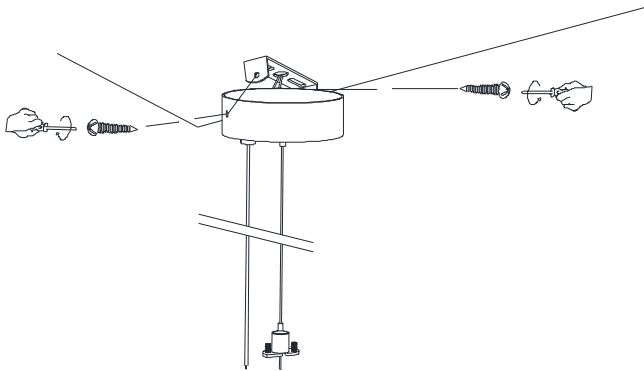
02 DRILLING FOR EXPANSION SCREWS IF NEEDED



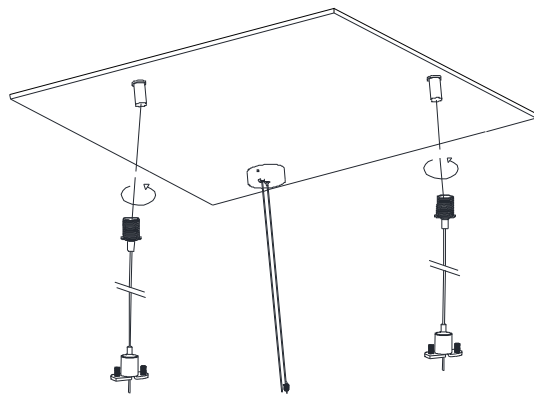
04 CONNECT THE POWER CABLE



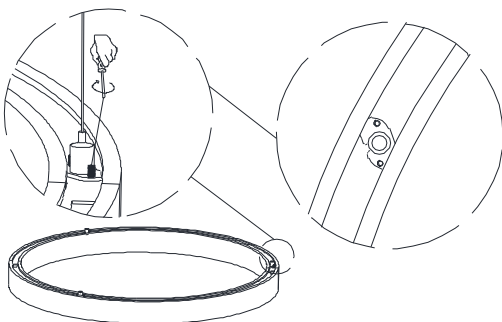
05 FIX THE CANOPY TO THE CROSS BAR



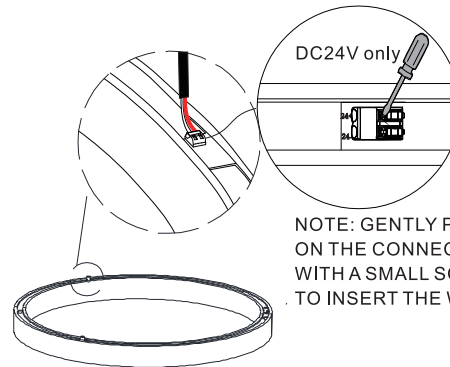
06 FIXING THE REST CANOPY



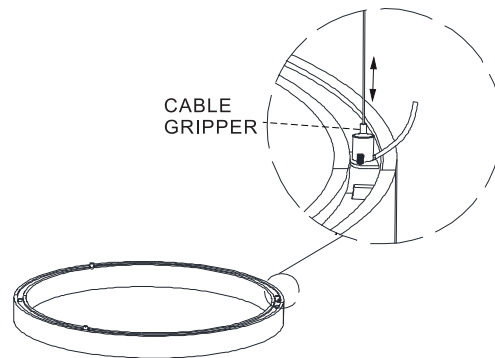
07 FIX THE KIT ON THE TRACK



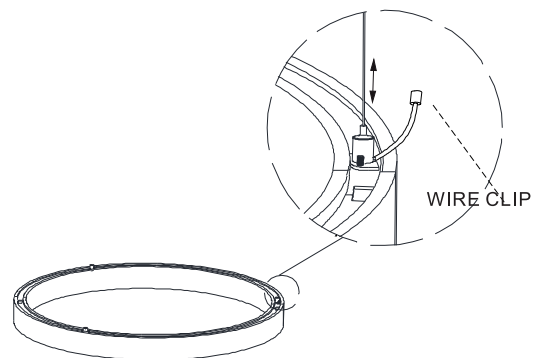
08 CONNECT 24 VOLT POWER FROM THE DRIVER TO THE 24 VOLT ON THE TRACK' RED WIRE TO POSITIVE AND BLACK WIRE TO NEGATIVE' ATTACH THE WIRE RESTRAINT TO THE POWER CORD.



09 ADJUST SUSPENSION CABLE TO DESIRED HEIGHT BY PUSHING DOWN ON CABLE GRIPPER AND PULLING THE EXCESS CABLE. ONCE HEIGHT IS FINAL, CUT OFF EXCESS CABLE'

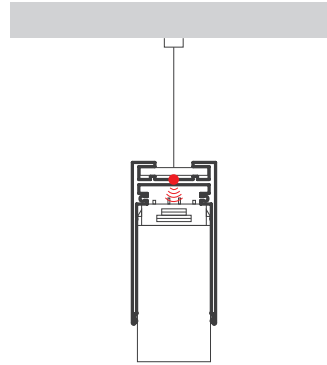
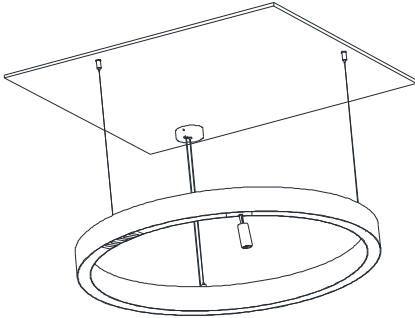


10 ATTACH THE WIRE CLIP



PENDANT MOUNTED

11 FINISH INSTALLATING OF THE TRACK



INSTALLATION INSTRUCTIONS

CAUTION:

1. BEFORE INSTALLING THE LIGHT FIXTURES, PLEASE READ THE INSTALLATION INSTRUCTIONS CAREFULLY.
2. DISCONNECT POWER AT CIRCUIT BREAKER BEFORE INSTALLATION OR SERVICING.
3. DO NOT INSTALL THE TRACK IN DAMP OR WET LOCATIONS.
4. THIS TRACK IS IP20, INDOOR USE ONLY.
5. ALL ELECTRICAL CONNECTIONS SHOULD BE DONE BY A QUALIFIED ELECTRICIAN.

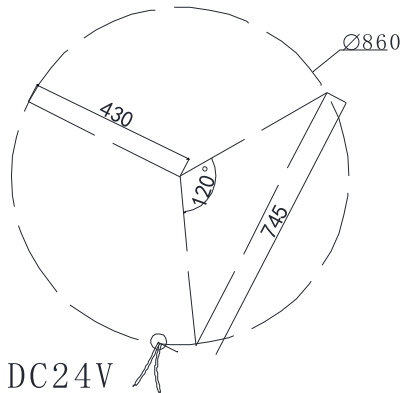
INCLUDED HARDWARE

NEW SURFACE MOUNTED KIT

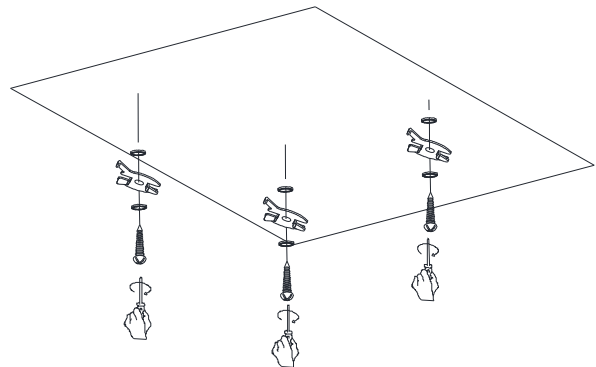
- 4 × NEW SURFACE KITS 
- 4 × SCREWS 
- 4 × WASHER 
- 4 × WALL PLUGS 

SURFACE MOUNTED WITH KITS

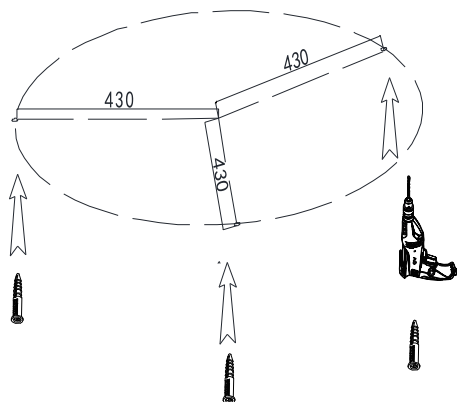
01 MARK THE CENTER LINE WHERE TRACK IS TO BE INSTALLED



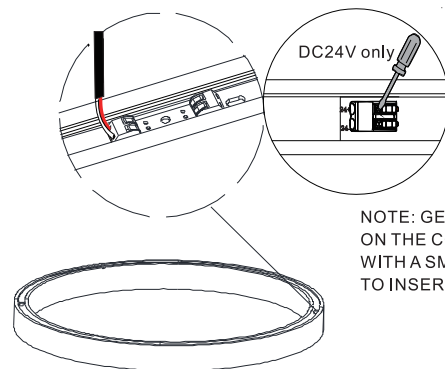
03 FIXING THE KITS ON THE CEILING



02 DRILLING FOR EXPANSION SCREWS IF NEEDED



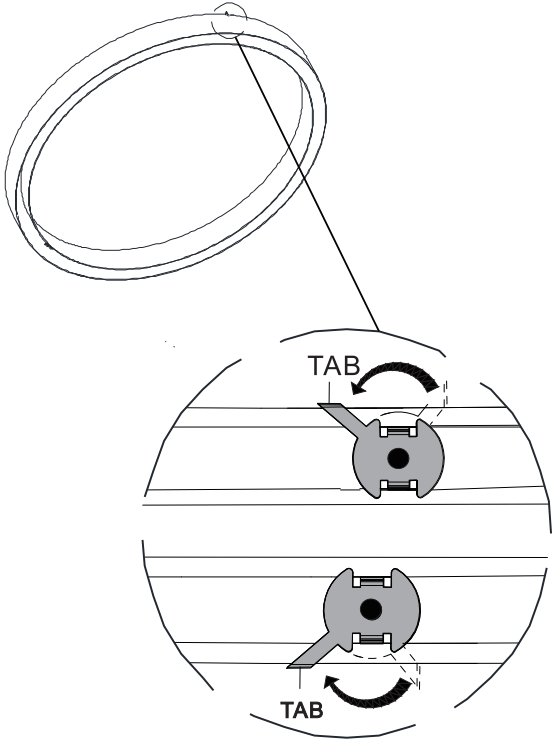
04 CONNECT 24 VOLT POWER FROM THE DRIVER TO THE 24 VOLT INPUT ON THE TRACK. RED WIRE TO POSITIVE AND BLACK WIRE TO NEGATIVE. ATTACH THE WIRE RESTRAINT TO THE POWER CORD.



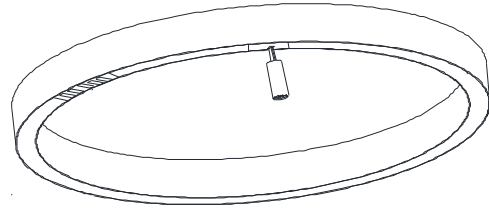
NOTE: GENTLY PUSH DOWN ON THE CONNECTOR TAB WITH A SMALL SCREWDRIVER TO INSERT THE WIRE

SURFACE MOUNTED WITH KITS

05 HANG THE TRAK ON THE CEILING WITH THE KITS REMEMBER TO TURN AND LOCK THE KITS



06 FINISH INSTALLATION OF THE TRACK



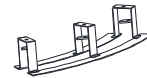
RECESSED MOUNTED WITH KITS
INSTALLATION INSTRUCTIONS

CAUTION:

1. BEFORE INSTALLING THE LIGHT FIXTURES, PLEASE READ THE INSTALLATION INSTRUCTIONS CAREFULLY.
2. DISCONNECT POWER AT CIRCUIT BREAKER BEFORE INSTALLATION OR SERVICING.
3. DO NOT INSTALL THE TRACK IN DAMP OR WET LOCATIONS.
4. THIS TRACK IS IP20, INDOOR USE ONLY.
5. ALL ELECTRICAL CONNECTIONS SHOULD BE DONE BY A QUALIFIED ELECTRICIAN.

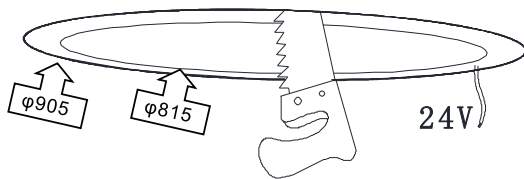
INCLUDED HARDWARE

RECESSED KITS
WHICH INCLUDES: 3 × RECESSED KITS

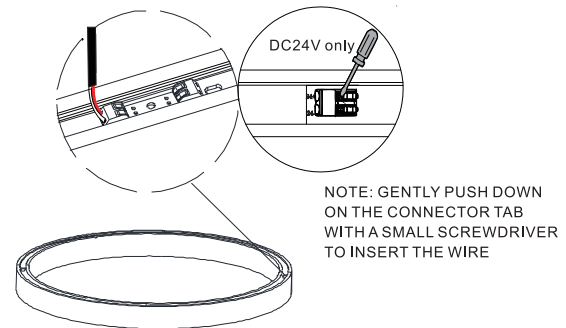


RECESSED MOUNTED WITH KITS

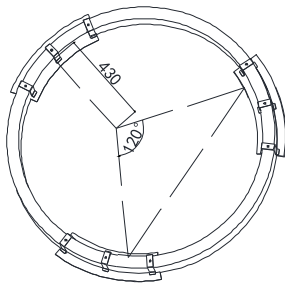
01 CUT THE CEILING



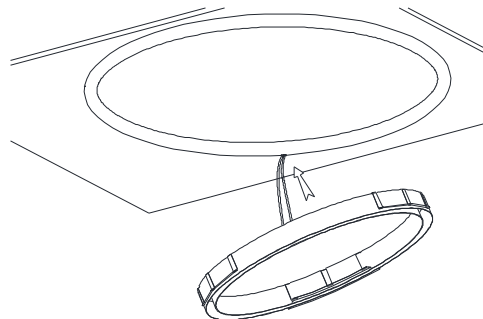
04 CONNECT 24 VOLT POWER FROM THE DRIVER TO THE 24 VOLT INPUT ON THE TRACK, RED WIRE TO POSITIVE AND BLACK WIRE TO NEGATIVE. ATTACH THE WIRE RESTRAINT TO THE POWER CORD*



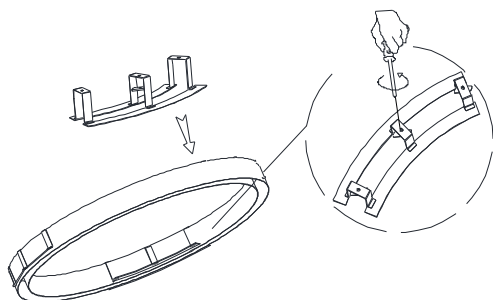
02 RECESSED KITS ARRANGEMENTS



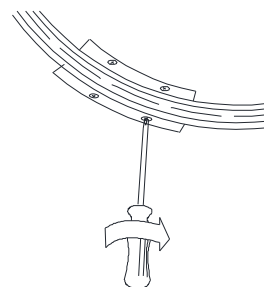
05 INSERT THE TRACK



03 FIX THE KITS ON THE TRACK

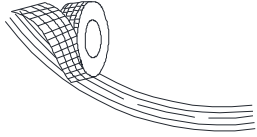


06 FIX THE KITS ON THE CEILING

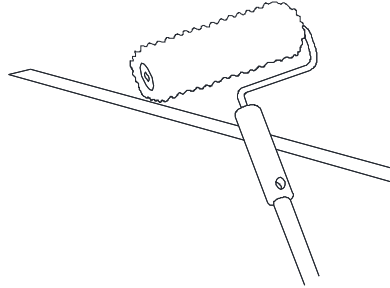


RECESSED MOUNTED WITH KITS

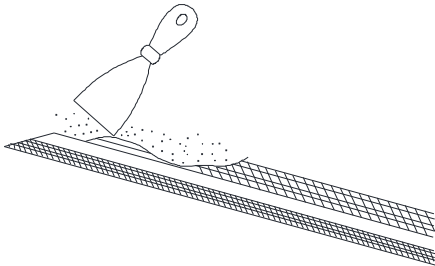
07 TAPING WITH FIBERGLASS TAPE



09 PAINTING



08 PLASTERING



10 INSTALL THE LIGHTS



NOTE: CALCULATE THE WATTAGE OF ALL ELEMENTS BEING USED TO MAKE SURE MAXIMUM WATTAGE OF REMOTE DRIVER IS NOT BEING EXCEEDED.

**CURVY TRACKS CONNECTION
INSTALLATION INSTRUCTIONS**

CAUTION:

1. BEFORE INSTALLING THE LIGHT FIXTURES, PLEASE READ THE INSTALLATION INSTRUCTIONS CAREFULLY.
2. DISCONNECT POWER AT CIRCUIT BREAKER BEFORE INSTALLATION OR SERVICING.
3. DO NOT INSTALL THE TRACK IN DAMP OR WET LOCATIONS.
4. THIS TRACK IS IP20, INDOOR USE ONLY.
5. ALL ELECTRICAL CONNECTIONS SHOULD BE DONE BY A QUALIFIED ELECTRICIAN.

CURVY TRACKS CONNECTION

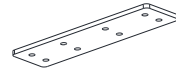
INCLUDED HARDWARE

WHICH INCLUDES: 2 × PIN3



TRACK CONNECTOR-S

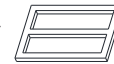
WHICH INCLUDES: 1 × TRACK CONNECTOR



1 × SPACER PLATE

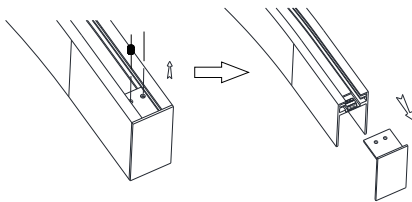


1 × SUPPORT KIT

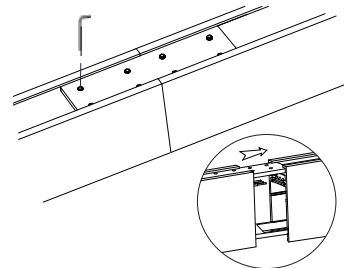


Ref#: 20241224

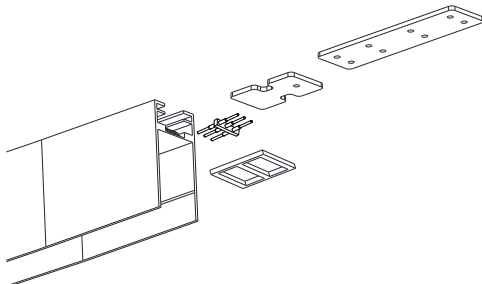
01 TAKE OFF THE END CAP



04 CONNECT ANOTHER TRACK WITH PIN3 AND FIX THE TRACK CONNECTOR

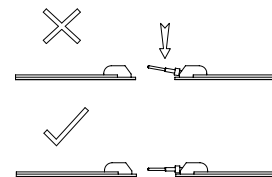


02 INSERT THE PIN3, SPACER PLATE, TRACK CONNECTOR, (SPACER PLATE IS UNDER THE TRACK CONNECTOR)

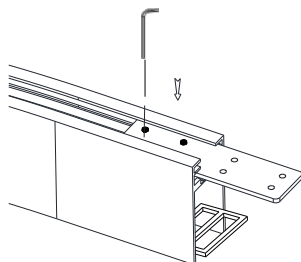


ATTENTION

WHEN JOINING TRACKS OR ACCESSORIES UTILIZING PIN CONNECTORS, MAKE SURE PINS ARE HORIZONTAL AND LINE UP WITH PIN CONNECTOR HOLES. YOU MAY NEED TO GENTLY PUSH UP OR DOWN ON THE PINS SO THEY LINE UP CORRECTLY. FAILING TO DO THIS MAY RESULT IN PINS MISSING THE PIN CONNECTOR HOLES AND LOSS OF THE 24 VOLT CONNECTION.



03 FIX ONE SIDE TRACK CONNECTOR



05 CONNECTION FINISHED

