



## LANCASTER LED POST TOP



### PRODUCT DESCRIPTION

The Lancaster LED Post Top has an ultra modern, stylistic design and smooth curvature, exudes a tidy appearance. Self-clean cover design. Confidently suited for outdoor lighting applications such as landscape, courtyards, roadways.

### FEATURE

- Contemporary and architectural design
- Lumen packages ranging from 8,000 to 13,000 lumens
- 120-277V standard, 347V or 480V optional
- Type IV and V distributions available
- Self-clean cover design

### ELECTRICAL SYSTEM

- Input Voltage: 120-277VAC, 347/480V, 50/60Hz
- 0-10V dimming
- Operating temperature range: -40-104 °F (-40-40 °C)
- Power Factor: > 0.9
- Total Harmonic Distortion: < 20% at full load
- 10kV surge suppression available

### SPECIFICATION

Max. Weight: 9 lbs

Effective Projected Area (EPA): 0.656ft<sup>2</sup>

### PERFORMANCE

CRI

70+

CCT

3000K, 4000K, 5000K

Projected Lifetime

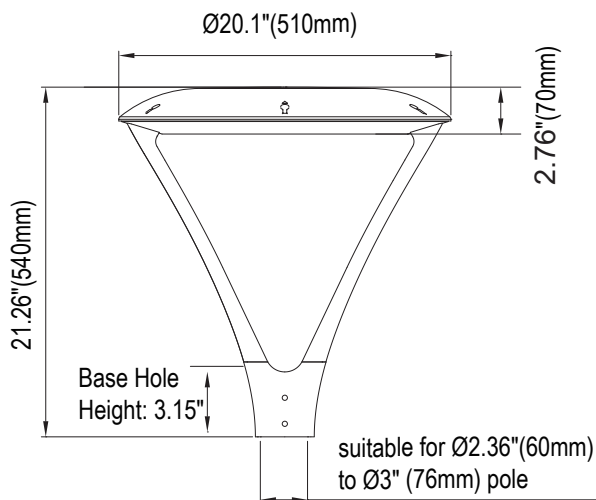
L70 - 100,000 Hours

Working Temperature

-40-104°F (-40-40°C)

Certifications

- cETL Listed
- IP65 rated
- RoHS compliant



## Ordering Information

### Example: LNSPT-100301-BTPC-V-BK

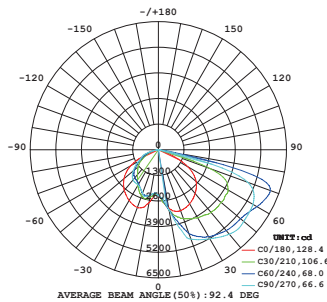
Name	Watts	CCT	Voltage	Control	Installation	Distribution	Finish
LNSPT	100 - 100W	30 - 3000K	1 - 120-277V	Blank - None	Blank - 2 3/8" to 3" Tenon Pole	IV - Type IV	BK - Black
	60 - 60W	40 - 4000K	6 - 347/480V <sup>1</sup>	BTPC - Button Photocontrol		V - Type V	
		50 - 5000K		PC - 3 Pin Photocontrol <sup>2</sup>			
				7P - 7 Pin Receptacle <sup>2</sup>			* Custom colors will ask for additional charge.

#### Notice:

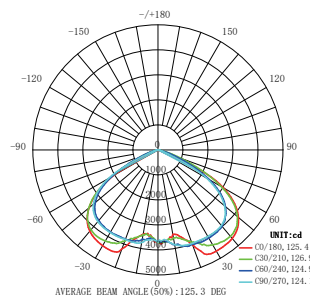
- No Controls for 347/480V.
- 3Pin photocontrol and 7 Pin receptacle will take a long lead time. Please contact Customer Service for details.
- \* Black finish is standard. Additional charges will apply for all the other colors. Please contact customer service for premium adder.

## PHOTOMETRY

All published luminaire photometric testing performed to IESNA LM-79-08 standards by a NVLAP certified laboratory.



TYPE IV



TYPE V

## PERFORMANCE DATA

### LUMEN OUTPUT

Lumen values are measured by third party certified laboratories performed in accordance with IESNA LM-79-08 as well as Lighting Facts listed.

Nominal Watts	Lumen Output	CCT	Dist. Type	CRI	LPW
60W	8000lm	4000K	Type V	>70	133
100W	13000lm	4000K	Type V	>70	130

## BUG Rating

Performed to IESNA LM-79-08 standards by a NVLAP accredited laboratory.

Model	BUG Rating
LNSPT-60301-V	B2-U0-G1
LNSPT-60401-V	B3-U0-G2
LNSPT-60501-V	B3-U0-G2
LNSPT-100301-V	B3-U0-G2
LNSPT-100401-V	B3-U0-G2
LNSPT-100501-V	B3-U0-G2

## Warranty

Five year limited warranty.

Specifications subject to change without notice.