

**WARRANTY**

LIMITED FIVE-YEAR WARRANTY. Should this product fail to perform satisfactorily due to a defect or poor workmanship within five years from the date of purchase, return it to the place of purchase and it will be replaced, free of charge. Incidental or consequential damages are excluded from the warranty.

**SUITABLE FOR MODEL**



IMAGE MAY VARY FROM ACTUAL PRODUCT

**SAFETY INSTRUCTION**

**READ CAREFULLY BEFORE INSTALLING FIXTURE. PLEASE KEEP THIS MANUAL FOR FUTURE USING.** Fixtures must be wired in accordance with the National Electrical Code and all applicable local codes. Proper grounding is required for safety.

**THIS PRODUCT MUST BE INSTALLED IN ACCORDANCE WITH THE APPLICATION CODE BY A PERSON FAMILIAR WITH THE CONSTRUCTION AND OPERATION OF THE PRODUCT AND THE HAZARDS INVOLVED. MAKE CERTAIN POWER OFF BEFORE INSTALLING OR MAINTAINING FIXTURE. CHECK THAT VOLTAGE IS COMPATIBLE WITH FIXTURE DRIVER, USE APPROVED CONNECTORS FOR ALL ELECTRICAL CONNECTIONS.**

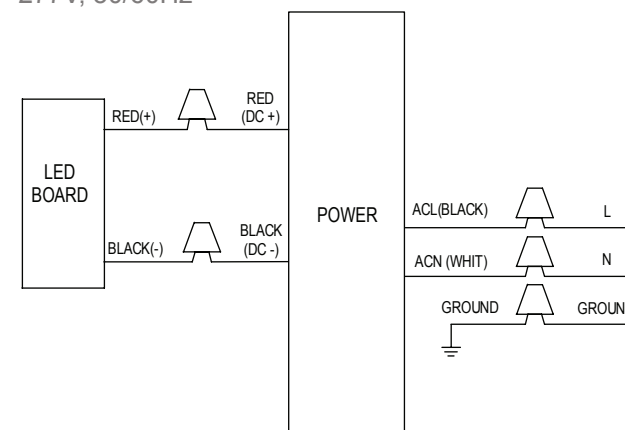
**MAINTENANCE CAUTION**

1. Review the wire connection before beginning, and make sure fixture is grounded properly.
2. For lighting controls, using functioning correctly.
3. Turn power off and wait for fixture cooling to operate.
4. Maintenance must be done by professionals.

**WIRE CONNECTION**

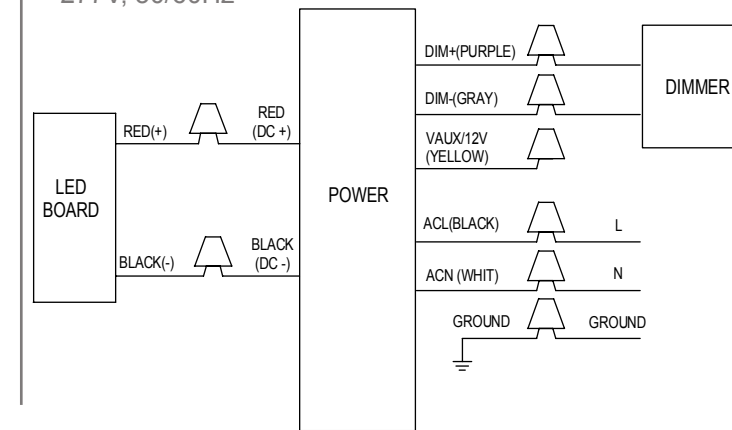
**FOR 20W CANOPY**

Universal voltage driver permits operation at 120V thru 277V, 50/60Hz



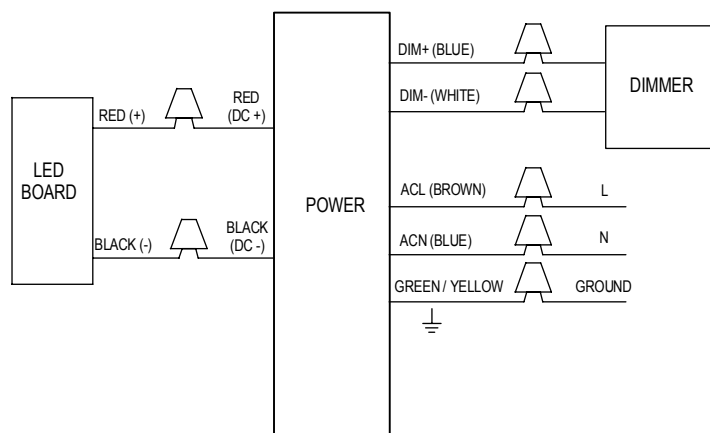
**FOR 30W/ 40W CANOPY& PKG**

Universal voltage driver permits operation at 120V thru 277V, 50/60Hz



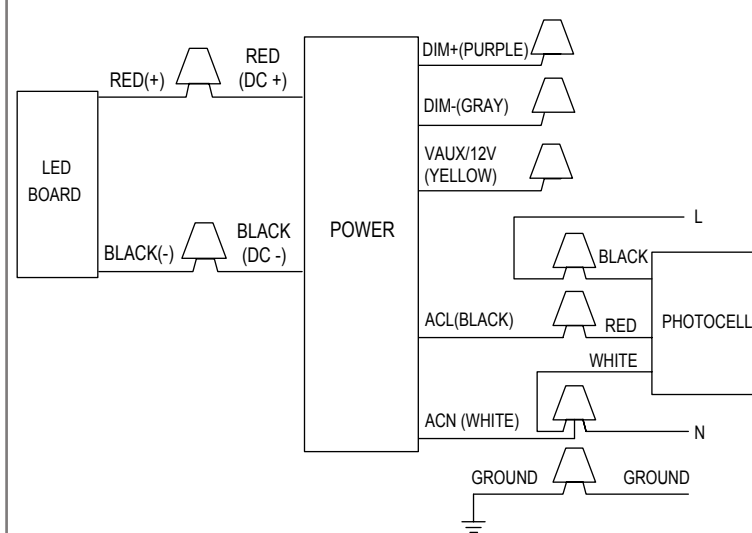
**FOR 55W/ 70W CANOPY& PKG**

Universal voltage driver permits operation at 120V thru 277V, 50/60Hz with 0-10V dimming



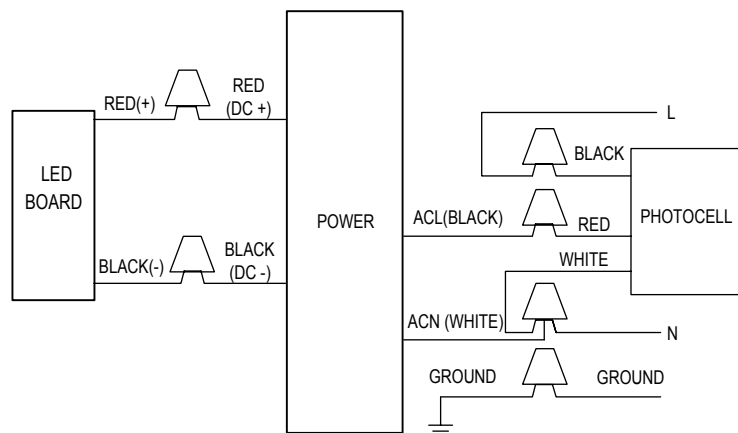
**FOR 30W/ 40W CANOPY& PKG WITH PHOTOCELL**

Universal voltage driver permits operation at 120V or 277V, 50/60Hz with 0-10V dimming



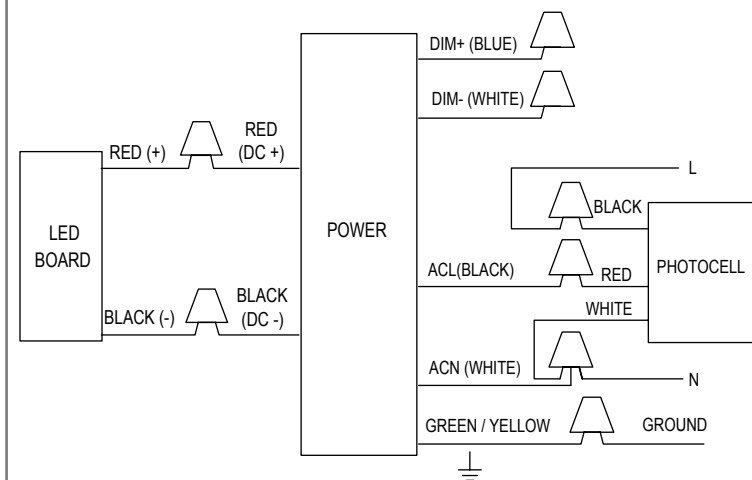
**FOR 20W CANOPY& PKG WITH PHOTOCELL**

Universal voltage driver permits operation at 120V or 277V, 50/60Hz



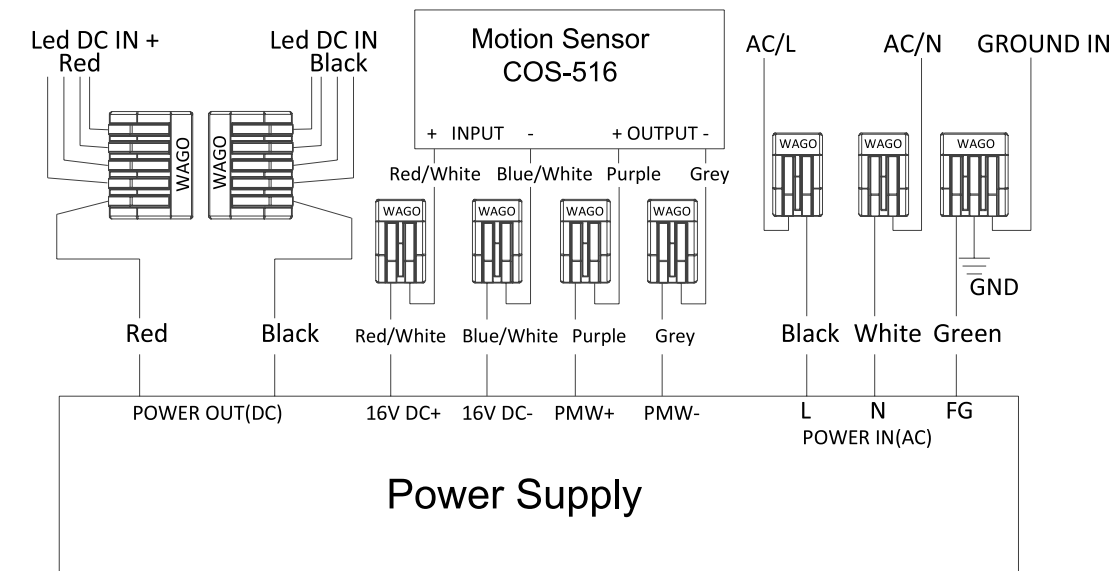
**FOR 55W/ 70W CANOPY& PKG WITH PHOTOCELL**

Universal voltage driver permits operation at 120V or 277V, 50/60Hz with 0-10V dimming



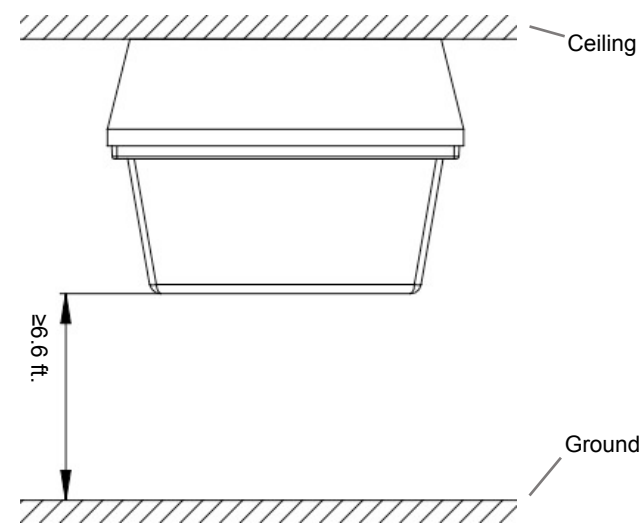
**FOR 40W/ 55W CANOPY& PKG WITH MOTION SENSOR**

Universal voltage driver permits operation at 120V thru 277V, 50/60Hz

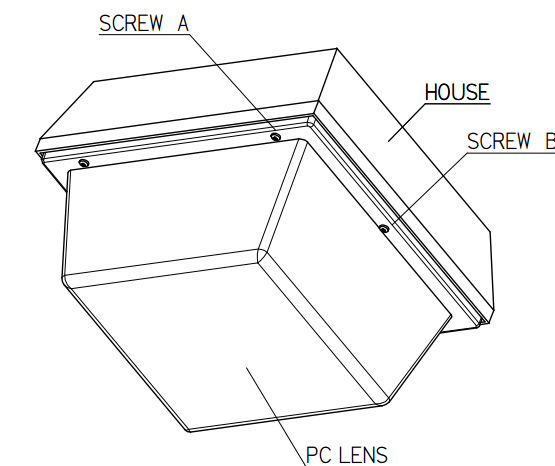


**INSTALLATION**

Install the fixture as the picture shows. (Installation height  $\geq 6.6$  ft.)



1. Cut off the power before installation.
2. Unscrew the four **Screw A** off the **PC LENS**, and unload the **PC LENS** and radiator. (Caution: Do not unload the **Screw B**.)
3. Pass the three phase cable by the base or 1/2NPT hole, and connect it with AC driver and ground wire.
4. Connect DC wire from the radiator hole with DC driver (Caution: red connect to red, black connect to black)
5. Close the cover, and tighten the four fixed **screw A**.
6. Choose the suitable place to install, connect the power to lighten up. (Finish the installation)



Ref#: 10130-11019