

SAFETY INSTRUCTION



READ CAREFULLY BEFORE INSTALLING FIXTURE. PLEASE KEEP THIS MANUAL FOR FUTURE USE.

- MIN 90 °C SUPPLY CONDUCTORS/LES FILS D'ALIMENTATION 90 °C MIN
- DAMP LOCATIONS ONLY/POUR EMPLACEMENTS SECS SEULEMENT
- CAUTION – RISK OF FIRE/ATTENTION – RISQUE D'INCENDIE

THIS PRODUCT MUST BE INSTALLED IN ACCORDANCE WITH THE APPLICABLE INSTALLATION CODE BY A PERSON FAMILIAR WITH THE CONSTRUCTION AND OPERATION OF THE PRODUCT AND THE HAZARDS INVOLVED/CE PRODUIT

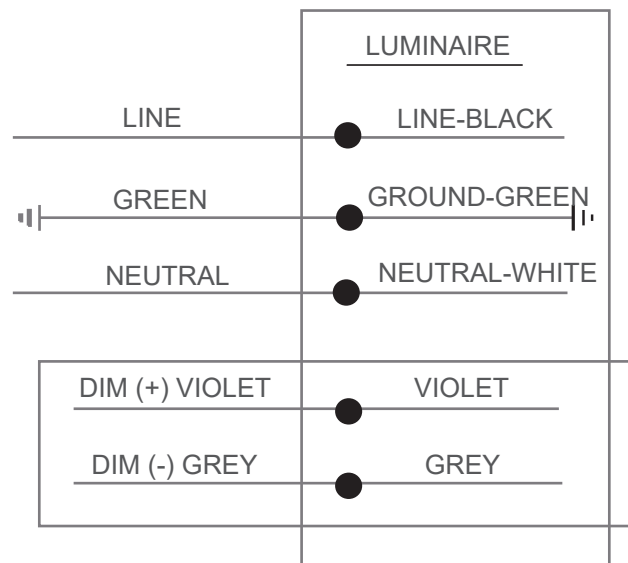
DOIT ÊTRE INSTALLÉ SELON LE CODE D'INSTALLATION PERTINENT, PAR UNE PERSONNE QUI CONNAÎT BIEN LE PRODUIT ET SON FONCTIONNEMENT AINSI QUE LES RISQUES INHÉRENTS

- Application temperature for ring light is -20 °C ~40 °C , humidity is 0~95 % . Otherwise there may be harm to the lifespan of the ring light.
- Please TURN OFF POWER before installation. This lamp must be installed and maintained by electrician or qualified personnel.
- Pay attention to fire prevention, electricity and shock resistance.
- Please do not cover the combustibles on the fixture.
- All screws and terminals should be tightened and tightly inserted. No loosening and improper connection are allowed. Attention should be paid to the polarity of components, power supply, driver and so on.
- Terminals should be tightened and tightly inserted. No loosening and improper

WIRE CONNECTION

Universal Voltage permits operation at 120VAC thru 277VAC, 50 or 60 Hz.

- Connect the black luminaire lead to the supply lead.
 - Connect the white luminaire lead to the neutral supply lead.
 - Connect the green or green/yellow ground lead to the green supply lead.
- If Dimming is an option; connect the violet dimming positive lead to the supply dimming positive lead. If dimming is not being used, ensure to cap off the violet lead.
 - If Dimming is an option; connect the grey dimming negative lead to the supply dimming negative lead. If dimming is not being used, ensure to cap off the grey lead.

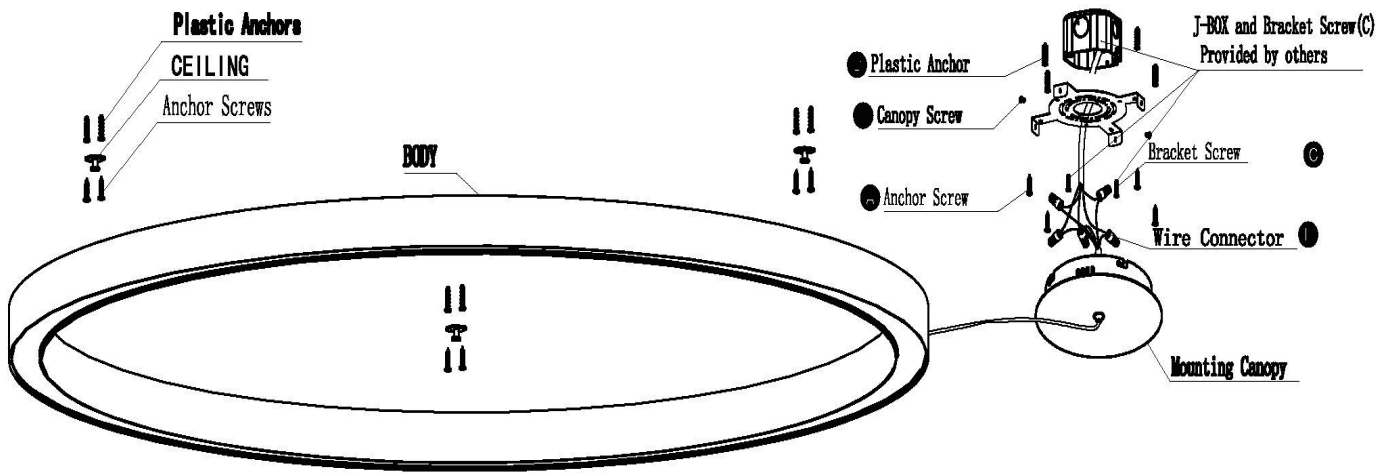


INSTALLATION

WARNING

Risk of injury or damage. Make certain power is OFF before installing or maintaining fixture.

INSTALLATION DIAGRAM



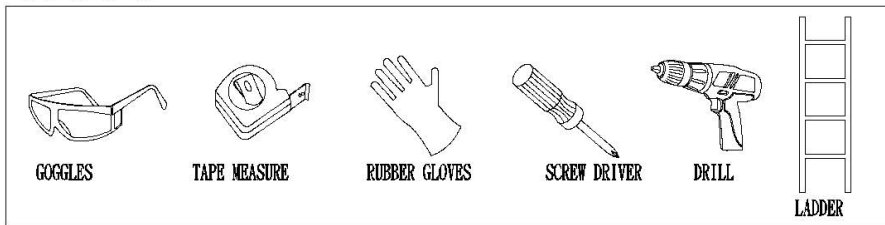
INSTALLATION STEP

Step 1

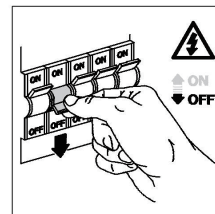
Shut "OFF" the electricity at main fuse box.

Place the wall switch in the "OFF" position of the room you are installing the fixture.

Tools You May Need

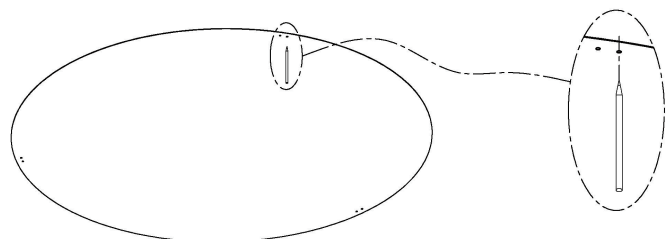
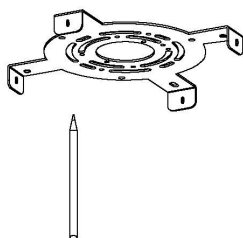


Circuit Box



Step 2

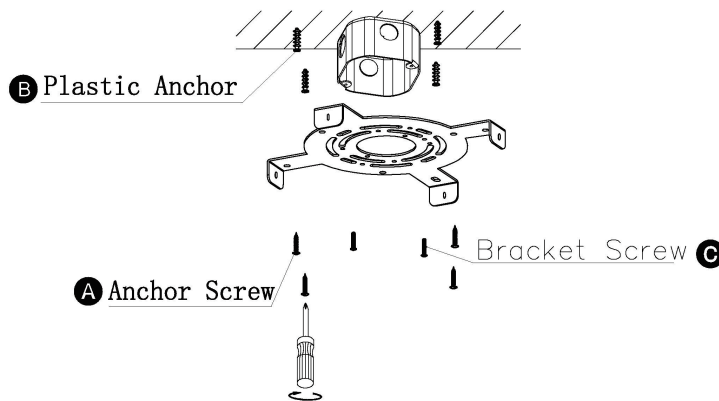
Make point marks on the ceiling.



Step3

Take out Plastic Anchors, drill 4 pcs diameter 6mm holes on the ceiling according to Mounting Bracket. Insert the Plastic Anchors into the holes. Use 2 pcs M4*25mm Bracket Screws to fix Mounting Bracket with J-Box, and use 4 pcs M4*25 Self-Tapping Anchor Screws to fix Mounting Bracket on the ceiling. Refer to picture shown below.

NOTE: J-BOX used by Garvin 54171-S or equivalent and Bracket Screw provided by others.



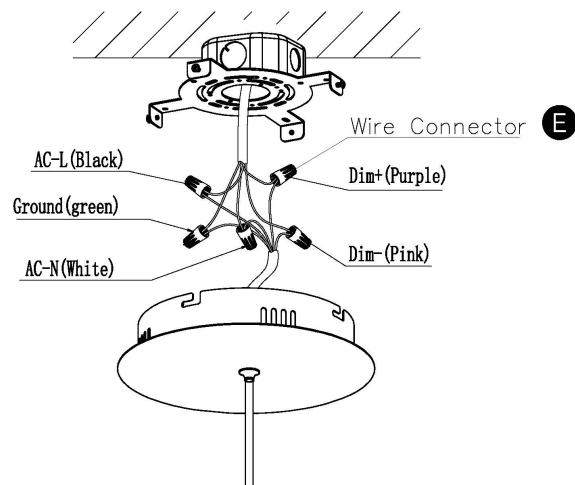
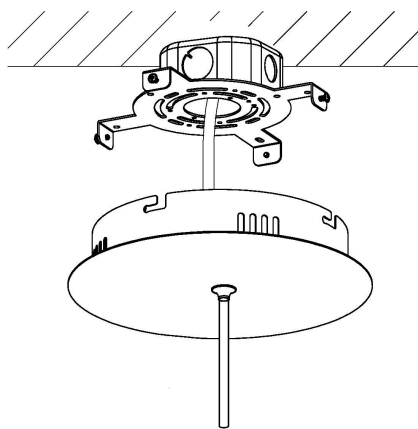
Attention: Must secure mounting plate at all connection points (junction box plus four outer points for small and medium size, or six outer points for large size) to support fixture weight appropriately. Not using all mounting points could damage the fixture and void product warranty.

Step4

Use 4pcs M4*25 Self-Tapping Anchor Screws to fix Mounting Bracket on the ceiling.

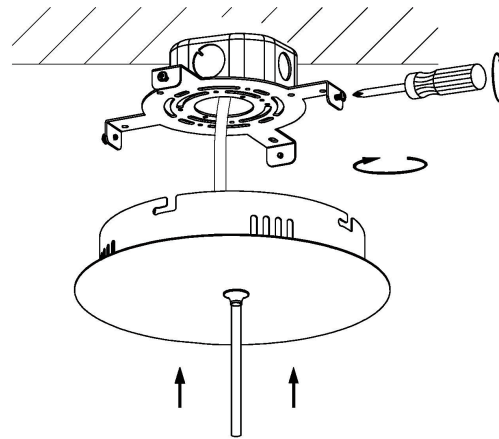
Step 5

Use wire connectors to connect L,N,G,DIM+,DIM- wires. After finish, put all wires with connector into J-Box.



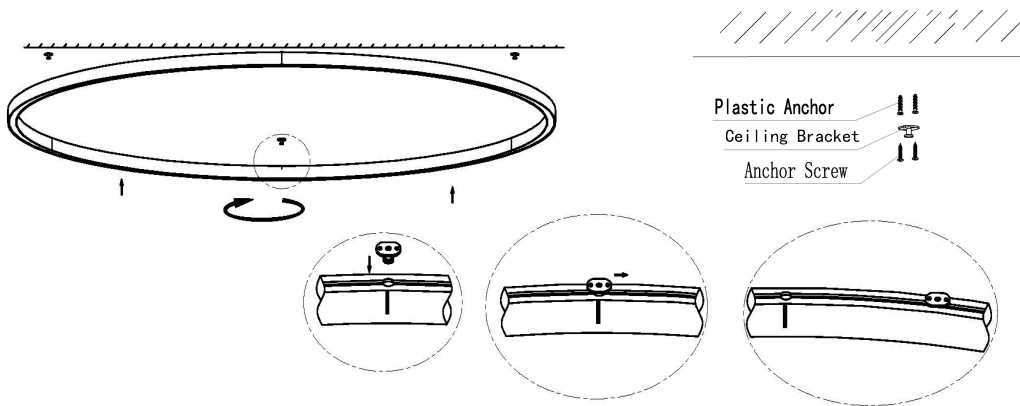
Step 6

Keep the Slot hole as vertical line with Side screw, put the Canopy upward. And make screw into slot, rotate Canopy and make Mounting Bracket and Canopy fixed. After this the installation of the Canopy with Driver inside has been finished, the Canopy location will be decided by contractors, we advise the distance between driver and light fixture not more than 33ft.



Step 7

Keep the profile slot holes as vertical line with Ceiling Bracket, put the Profile upward. And make screw into slot, rotate Profile and make Ceiling Bracket and profile fixed.



Step 8

Connect the cable between driver and fixture. After finish installation, turn on the electricity at main fuse box, the lighting works.

