



THE VERSATILE LED AREA LIGHT



PRODUCT DESCRIPTION

The VERSATILE series has the high-performance solution for the most demanding applications with an universal body and different shades. It can be used in many applications such as pedestrian street, factory, schools, garden, courtyard, hotel, parking lot, public parks etc.

FEATURE

- Horizontal and vertical slip fitter mount
- Maximum 15° up and down adjustable.
- Photocontrol and microwave motion sensor optional.
- Tempered glass lens will not fade and discolor.
- IES distribution Types I, II & VN for various applications.

ELECTRICAL SYSTEM

- Input Voltage: 120-277VAC, 347/480V, 50/60Hz
- 0-10V dimming
- Operating temperature range: -40-104 °F (-40-40 °C)
- Power Factor: > 0.9 at full load
- Total Harmonic Distortion: < 20% at full load
- Philips Input SPD(10KV)

PERFORMANCE

CRI

70 is standard

80 is optional

CCT

4000K, 5000K

Projected Lifetime

L70 - 140,000 Hours

Working Temperature

-40-104°F (-40-40°C)

Certifications

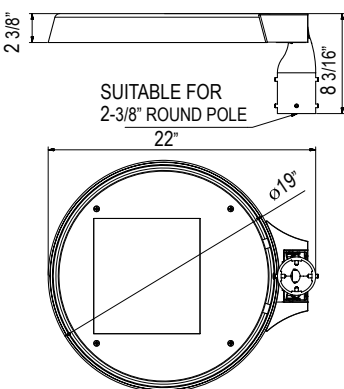
- cUL Listed
- IP66 rated
- RoHS compliant

SPECIFICATION

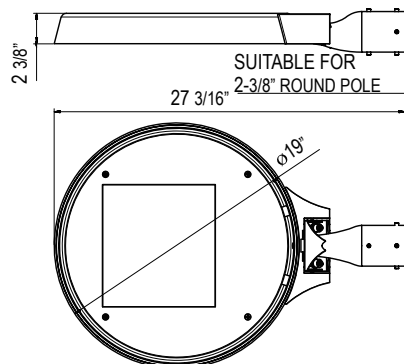
Effective Projected Area (EPA):

VPTD, Vertical Slip Fitter: 0.38ft²

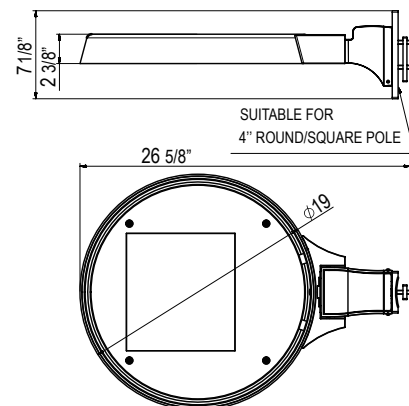
VPTD, Horizontal Slip Fitter: 0.29ft²



Vertical Slip Fitter Mount



Horizontal Slip Fitter Mount



Arm Mount

Ordering Information

Example: VPTD30401-T5

Name	Watts	CCT	Voltage	- Control	- Installation	- Distribution	- Lens	- Finish
VPTD	30 - 30W	40- 4000K	1- 120-277V	- Blank - None	- Blank - No Mounting Bracket	T1- Type I	- Blank - Glass Clear Lens	- Standard Blank - Bronze
	60 - 60W	50- 5000K	6- 347/480V	PC - Photoelectric Control	Order and Shipped Separately ¹	T2- Type II		
	90 - 90W			MSW - Microwave Motion Sensor	VPTD-VSF	T5 - Type VN		Optional Finish Colors
	150- 150W				VPTD-AR ²			(Need Additional Charge)*

Notice:

1. Order and shipped separately as accessory. More details are in the following accessory table.
2. VPTD-AR is optional with long lead time.

* Bronze finish is standard. Additional charges will apply for all the other colors. Please contact customer service for premium adder.

Accessories (Ordered separately & field installed)



VPTD-VSF¹
Versatile Slip Fitter for VPTD

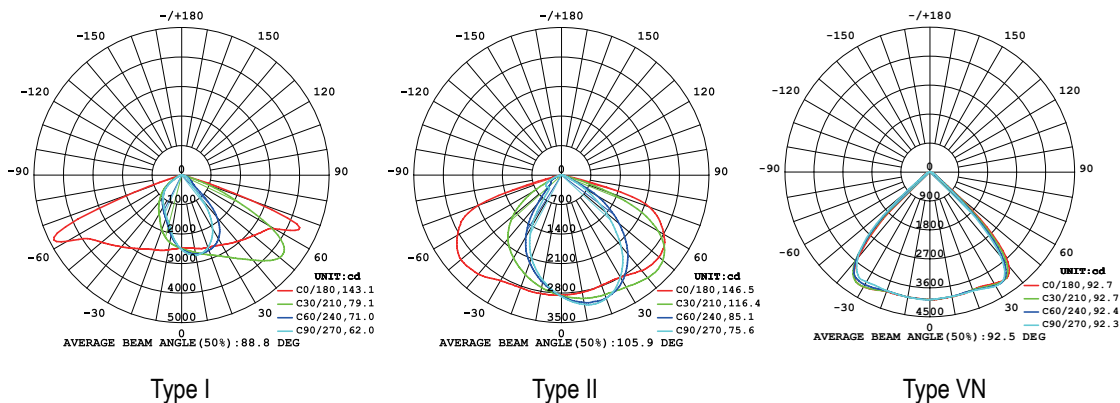


VPTD-AR²
Arm for VPTD

- Notice: 1. The versatile slip fitter can be mounted horizontally or vertically. Please check the installation manual for more details.
2. VPTD-AR is optional with long lead time.

PHOTOMETRY

All published luminaire photometric testing performed to IESNA LM-79-08 standards by a NVLAP certified laboratory.



PERFORMANCE DATA

LUMEN OUTPUT

accordance with IESNA LM-79-08 as well as Lighting Facts listed.

Nominal Watts	System Watts	Lumen Output	CCT	Dist. Type	CRI	LPW
30W	29W	4060lm	4000K	Type VN	>70	140
60W	59W	8200lm	4000K	Type VN	>70	139
90W	88W	12000lm	4000K	Type VN	>70	137
150W	143W	18700lm	4000K	Type VN	>70	131

Lumen Ambient Temperature (LAT) Multipliers

Use these factors to determine relative lumen output for average ambient temperature from -40-104°F (-40-40°C)

Ambient		Multiplier
Celsius	Fahrenheit	
0	32	1.02
10	50	1.01
20	68	1.00
25	77	1.00
30	86	1.00
40	104	0.99

Ref#: 20231030

BUG Rating

Performed to IESNA LM-79-08 standards by a NVLAP accredited laboratory

Model	BUG Rating	Model	BUG Rating
VPTD30401-T1	B1-U0-G1	VPTD90401-T1	B3-U0-G2
VPTD30401-T2	B1-U0-G1	VPTD90401-T2	B3-U0-G2
VPTD30401-T5	B2-U0-G0	VPTD90401-T5	B3-U0-G1
VPTD60401-T1	B2-U0-G1	VPTD150401-T1	B3-U0-G2
VPTD60401-T2	B2-U0-G1	VPTD150401-T2	B3-U0-G2
VPTD60401-T5	B3-U0-G1	VPTD150401-T5	B4-U0-G1

Warranty

Five year limited warranty. Full warranty terms located at www.abovealllighting.com/warrantystatements

Note:

Specifications subject to change without notice.