

THE VERSATILE LED LUMINAIRE (Bell & Petunia Shade)



PRODUCT DESCRIPTION

The VERSATILE series has the high-performance solution for the most demanding applications with an universal body and different shades. It can be used in many applications such as pedestrian street, factory, schools, garden, courtyard, hotel, parking lot, public parks etc.

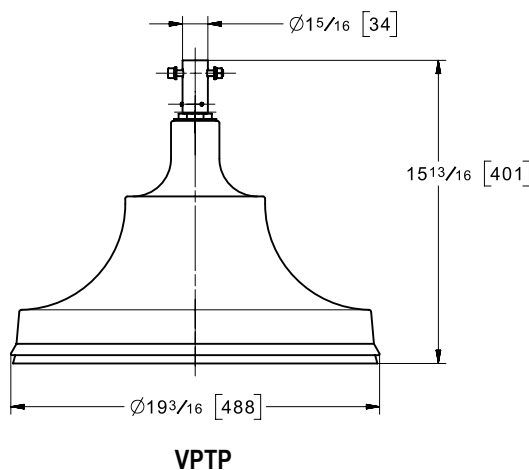
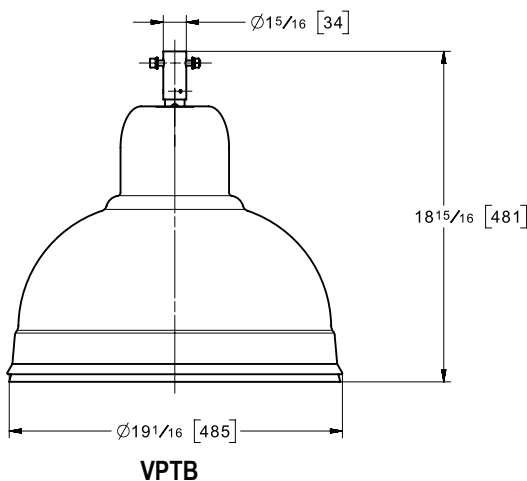
FEATURE

- Bell and petunia shades available.
- Photocontrol and microwave motion sensor optional.
- Tempered glass lens doesn't fade and discolor.
- IES distribution Types I, II & VN for various applications.

ELECTRICAL SYSTEM

- Input Voltage: 120-277VAC, 50/60Hz
- 0-10V dimming
- Operating temperature range: -40-104 °F (-40-40 °C)
- Power Factor: > 0.9 at full load
- Total Harmonic Distortion: < 20% at full load
- Philips Input SPD(10KV)

SPECIFICATION



PERFORMANCE

CRI
70 is standard
80 is optional

CCT
4000K, 5000K

Projected Lifetime

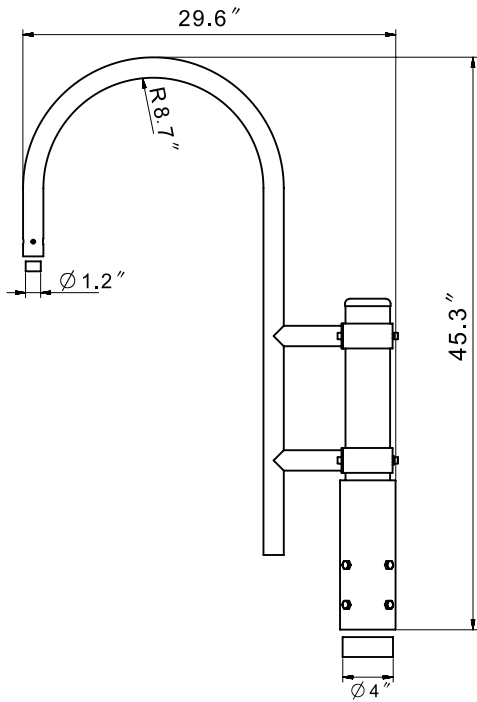
L70 - 140,000 Hours

Working Temperature

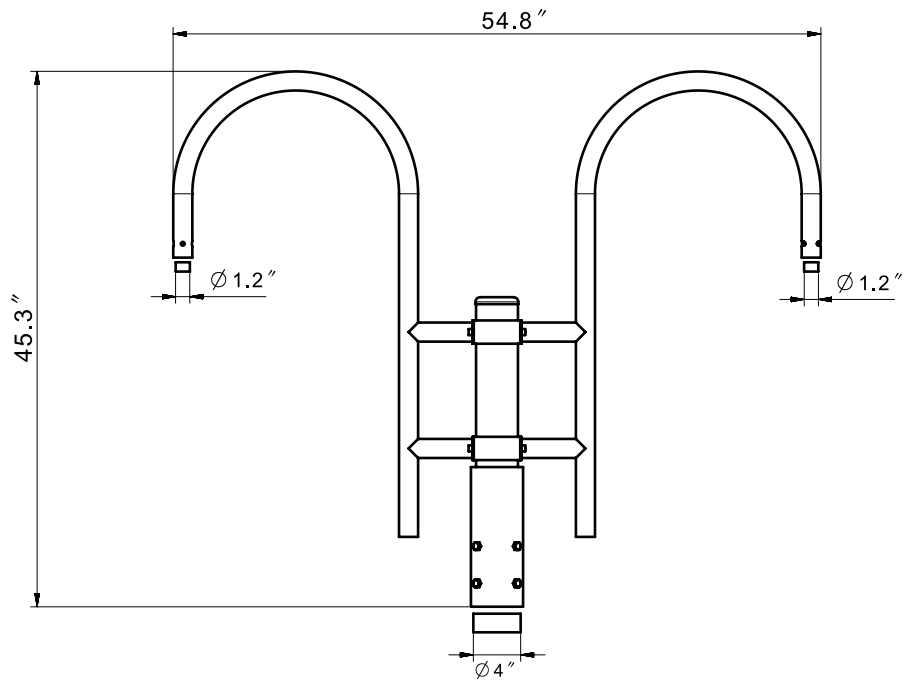
-40-104°F (-40-40°C)

Certifications

- cUL Listed
- IP66 rated
- RoHS compliant



SGA4



TGA4

Ordering Information

Example: VPTB30401-P-T5

Name	Shade	Watts	CCT	Voltage	- Control	- Installation	- Distribution	- Lens	- Finish
VPT	B- Bell	30- 30W	30- 3000K	1-120-277V	- Blank- None	- Blank - Pendant Mount	- T1- Type I	- Blank - Glass Clear Lens	- Standard
	P- Petunia	60- 60W	40- 4000K	6- 347/480V	PC- Photoelectric Control	Order and shipped separately	T2- Type II	Order and shipped separately PDL- Polycarbonate Drop Lens	Blank - Dark Bronze
		90- 90W	50- 5000K	MSW - Microwave Motion Sensor	SGA4 - Single Gooseneck Arm for 4"OD pole ¹	T5- Type VN	Optional*		
		150- 150W			TGA4 - Twin Gooseneck Arm for 4"OD pole ¹		AL - Aluminum Silver		
						BK - Black			
								WH - White	
								(See Notes)	

Notice:

1. Photocell can only be mounted with SGA4 or TGA4.
2. Please check the accessory table for details.

* Standard Finish is Dark Bronze. Custom colors might be available for an additional fee. Please check with Customer Service for more information.

Accessories



90304
VPTB-PDL
Polycarbonate Drop Lens



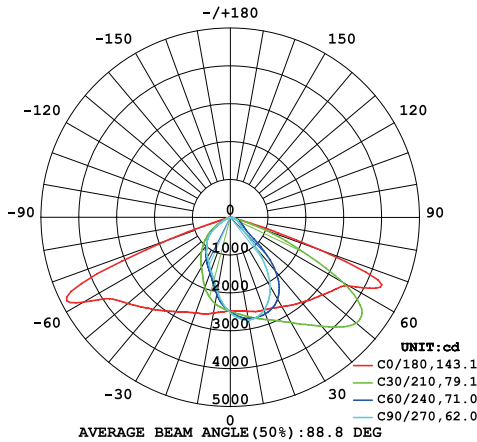
90302
SGA4
Single Gooseneck Arm
for 4" OD Pole



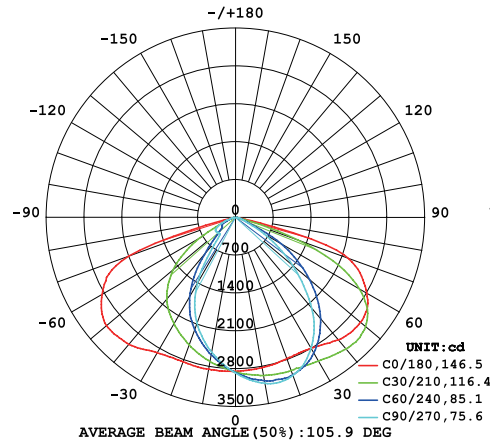
90303
TGA4
Twin Gooseneck
Arm for 4" OD Pole

PHOTOMETRY

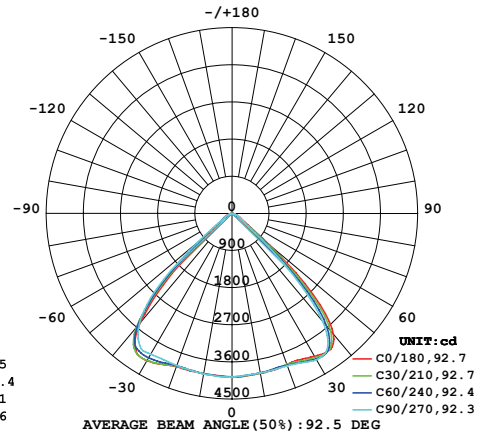
All published luminaire photometric testing performed to IESNA LM-79-08 standards by a NVLAP certified laboratory.



Type I



Type II



Type VN



With Drop Lens



With Drop Lens







Single Gooseneck Arm Mount



Twin Gooseneck Arm Mount

Effective Projected Area (EPA)

Corresponding Products	Picture	EPA(ft ²)
VPTP+SGA4+PDL	 <p>With Drop Lens</p>	1.65
VPTB+SGA4		1.52
VPTP+SGA4		0.81
VPTB+TGA4		3.04
VPTP+TGA4		1.62

PERFORMANCE DATA

LUMEN OUTPUT

Lumen values are measured by third party certified laboratories performed in accordance with IESNA LM-79-08 as well as Lighting Facts listed.

Nominal Watts	System Watts	Lumen Output	CCT	Dist. Type	CRI	LPW
30W	29W	4060lm	4000K	Type VN	>70	140
60W	59W	8200lm	4000K	Type VN	>70	139
90W	88W	12000lm	4000K	Type VN	>70	137
150W	143W	18700lm	4000K	Type VN	>70	131

Projected LED Lumen Maintenance

Data references the extrapolated performance projections for the LED VERSATILE series in a 77°F ambient, (tested per IESNA LM-80-08 and projected per IESNA TM-21-11).

Operating Hours	9,000H	17,000H	33,000H	140,000H
Lumen Maintenance Factor	0.98(L98)	0.96(L96)	0.92(L92)	0.70(L70)

Lumen Ambient Temperature (LAT) Multipliers

Use these factors to determine relative lumen output for average ambient temperature from -14-104°F (-10-40°C)

Ambient		Multiplier
Celsius	Fahrenheit	
0	32	1.02
10	50	1.01
20	68	1.00
25	77	1.00
30	86	1.00
40	104	0.99

Warranty

Five year limited warranty. Full warranty terms located at www.abovealllighting.com/warrantystatements

Note:

Specifications subject to change without notice.