



## MT LED AREA LIGHT



**DARKSKY APPROVED**  
Reduces light pollution  
Certified by DarkSky.org



## PRODUCT DESCRIPTION

The MT LED area light is a universal and scalable outdoor LED luminaire. The MT LED area light can be customized for virtually any type of outdoor lighting application by applying one of several different mounting options to a universal body to create an Area, Flood or Wall Pack luminaire. Four installation methods including Trunnion/Yoke, Slip fitter and Pole mount. The MT LED area light can be customized for standard on off wall switching, on/off motion sensor switching or multi-level motion sensor switching. The MT LED area light also comes standard with 1-10V dimming.

## FEATURE

- High efficacy, up to 145LPW
- Special reflector design
- Tempered glass lens
- Quick and easy installation

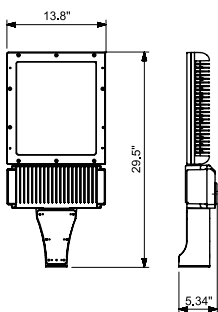
## ELECTRICAL SYSTEM

- Input Voltage: 120-277V, 347V/ 480V
- 50/60Hz
- Minimum Ambient -40°F, maximum ambient 104°F
- Power Factor: > 0.9 at full load
- Total Harmonic Distortion: < 20% at full load
- Integral 10KV surge suppression protection standard

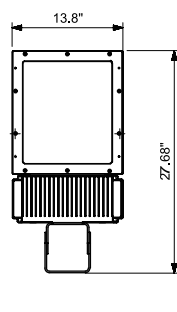
## SPECIFICATION

Max. Weight: 29 lbs

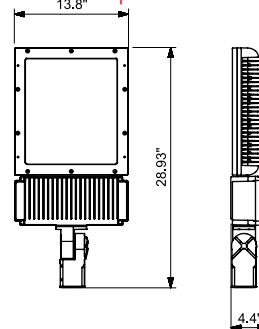
Square Arm



Trunnion



Slip Fitter



## PERFORMANCE

CRI

**70 is standard**

**80 is optional**

CCT

**3000K, 4000K, 5000K**

Dimming

**1-10V Dimming Standard**

**Dimming wires are pre-installed inside the fixture. If dimming wires need to be accessed, please contact Customer Service.**

Projected Lifetime

**L70 - 154,000H**

Working Temperature

**-40-104°F (-40-40°C)**

Certifications

- ETL Listed
- Suitable for wet location
- IP66 rated
- RoHS compliant
- DarkSky Approved\*

\* DarkSky Approved with 3000K CCT and 0-degree tilt fixed trunnion only.

## Ordering Information

Example: MT150501-PC-VW

NAME	Watts	CCT	Voltage	Controls	Installation	Distribution	Finish
<b>MT</b>	100 -91 Watts	30 -3000K	1- 120-277V	<b>Blank</b> - None	<b>Blank</b> - Without Mounting Brackets	<b>III</b> - Type III	Standard <b>Blank</b> - Dark Bronze
	150 -139 Watts	40 -4000K	2- 347V <sup>1</sup>	<b>MS-L7B</b> - Wattstopper Sensor with Black L7 Lens <sup>4</sup>	<b>Ordered separately</b> <sup>6</sup>	<b>IV</b> - Type IV	
	200 -173 Watts	50 -5000K	3- 480V <sup>2</sup> 6- 347V/480V <sup>3</sup>	<b>PC</b> - Photoelectric Control <b>7P</b> - 7 Pin PE Receptacle <sup>5</sup> <b>SRP</b> - Bluetooth sensor receptacle <sup>7</sup>	<b>AR</b> - Arm for Square Pole <b>TR</b> - Trunnion <b>SF</b> - Slip Fitter	<b>VW</b> - Type V Wide <b>VM</b> - Type V Middle	* Custom colours are available for additional charge

### Note:

- 347V is only used with photoelectric control .
- 480V is only used with photoelectric control.
- If choose 347/480V, please do not choose photoelectric control.
- The standard MS L7 lens is suitable for the mounting height of 6m (20ft) and higher. Lead time for motion sensor is long please check with Customer Service in advance.
- Sensor is by others. Shorting cap included.
- Mounting Brackets need to be bought separately and field installed.
- The Bluetooth PIR sensor need to be ordered separately and field installed. It is suitable for a max mounting height of 40ft Max.

\* Standard Finish is Dark Bronze. Custom colours are available for additional charge.

## Installation & Accessories (Ordered separately/field install)



**90062**

MT Arm for 4" to 6"  
OD Square Pole



**90046**

MT Slip Fitter for 2 3/8"  
OD Round Pole



**90055**

MT-Trunnion



**90048**

MT Round Pole Adapter  
for 4" OD Round Pole



**90175**

MT-SS

Side shield for MT100, MT150, MT200



**90176**

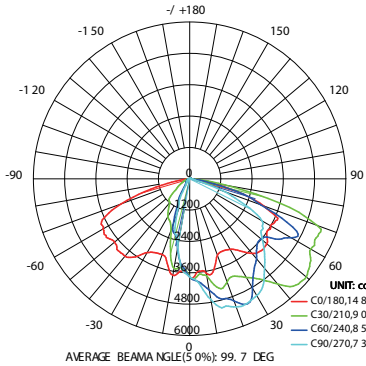
MT-RS

Rear shield for MT100, MT150, MT200

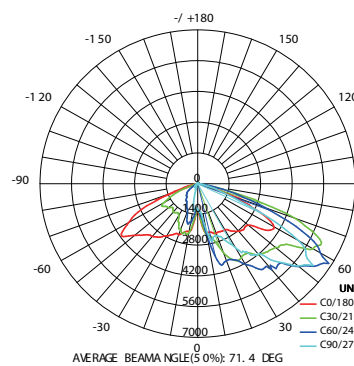
Note: Side shield can be assembled on the right or left side of fixture.

# PHOTOMETRY

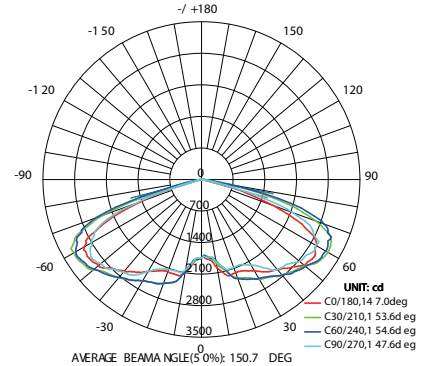
All published luminaire photometric testing performed to IESNA LM-79-08 standards by a NVLAP certified laboratory.



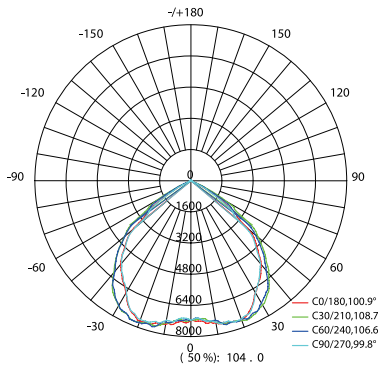
**Type III**



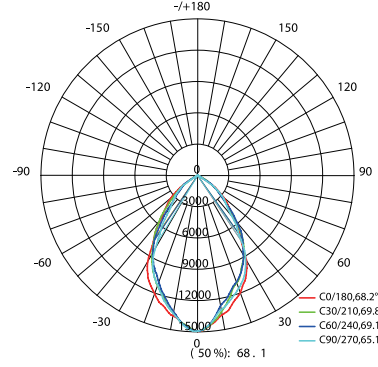
**Type IV**



**Type VW**



**Type VM**



**Type VN**

# PERFORMANCE DATA

## LUMEN OUTPUT

Lumen values are measured by third party certified laboratories performed in accordance with IESNA LM-79-08 as well as Lighting Facts listed.

Measured Watts	Lumen Output	CCT	AC Input 120V	CRI	Dist. Type	LPW
91W	13200lm	4000K	0.76A	70	Type III	145
139W	18900lm	4000K	1.16A	70	Type III	136
173W	21800lm	4000K	1.44A	70	Type III	126

### Projected LED Lumen Maintenance




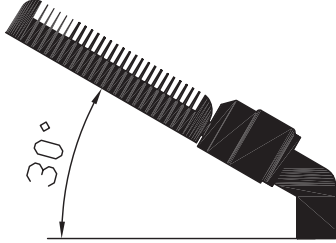
Data references the extrapolated performance projections for the MT LED in a 77°F ambient, (tested per IESNA LM-80-08 and projected per IESNA TM-21-11).

Operating Hours	0	10,000	19,000	37,000	154,000
Lumen Maintenance Factor	0.1	0.98(L98)	0.96(L96)	0.92(L92)	0.70(L70)

### Lumen Ambient Temperature (LAT) Multipliers

Use these factors to determine relative lumen output for average ambient temperature from -40-104°F (-40-40°C).

Ambient		Multiplier
Celsius	Fahrenheit	
0	32	1.02
10	50	1.01
20	68	1.00
25	77	1.00
30	86	1.00
40	104	0.99

MT Line		MT100/MT150/MT200	Effective Projected Area EPA (Sq. Ft.)
	Slip Fitter		0.95
	Square Arm		1.17
	Trunnion		0.91
	Trunnion in 30 Degree		1.38



• **MT with** right side shield

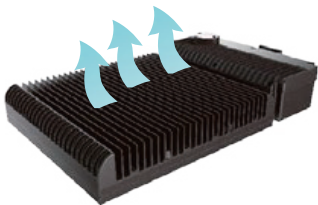


• **MT with** left side shield



• **MT with** rear side shield

## FEATURES



High quality die cast housing  
Superior thermal management



Wattstopper Multi-level  
Motion Sensor



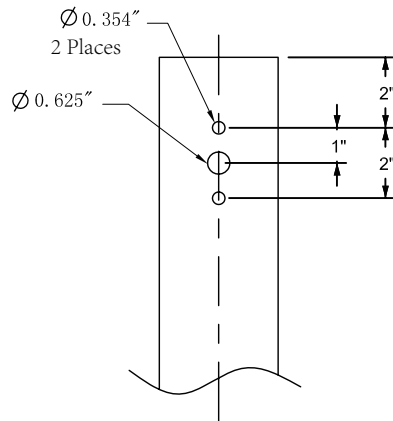
Standard Twistlock photocell



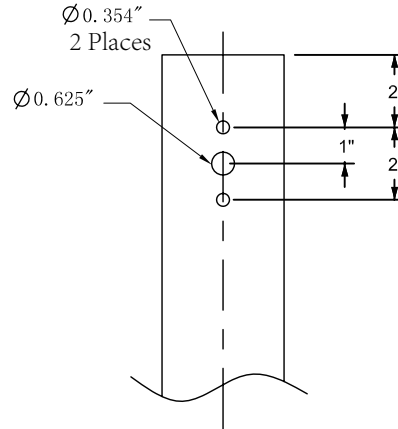
Multiple mounting options.  
 Trunnion option, slip fitter, wall mounted, pole mounted

## Drilling Templates

DRILLING TEMPLATE ROUND POLE MOUNTING  
 4 inch OD Round Pole Mounting Pole



DRILLING TEMPLATE SQUARE POLE MOUNTING  
 4 to 6 inch OD Square Pole Mounting Pole



## BUG RATING

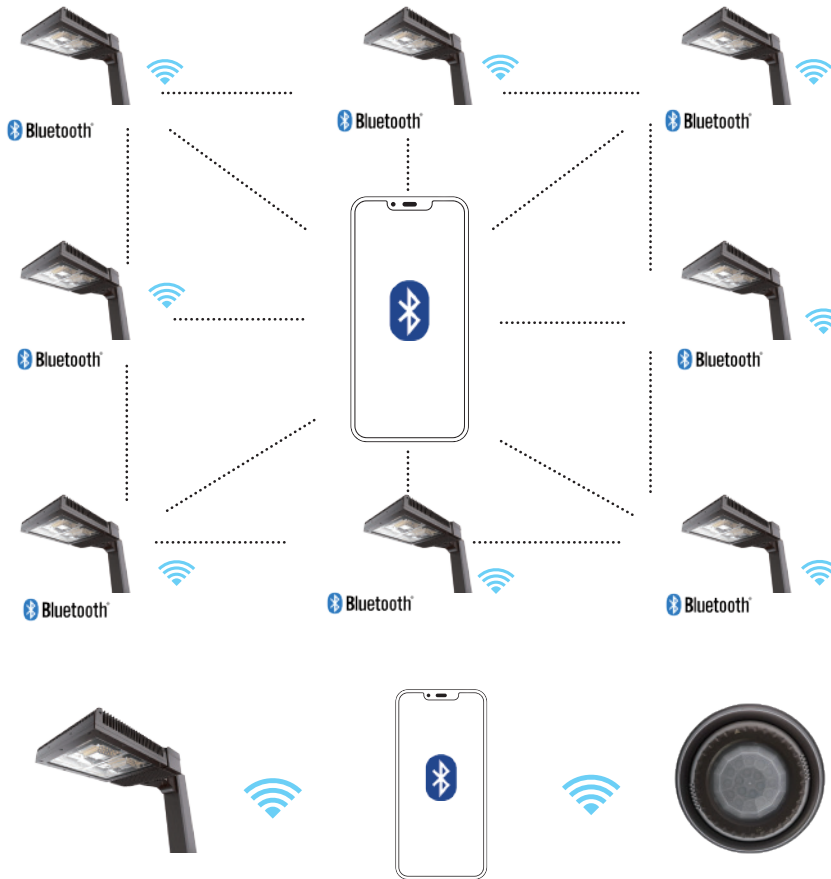
Performed to IESNA LM-79-08 standards by a NVLAP  
 accredited laboratory

Model	BUG Rating
MT100501-III	B3-U0-G2
MT100501-VW	B3-U0-G2
MT150501-III	B3-U0-G2
MT150501-VW	B4-U0-G2
MT200501-III	B3-U0-G2
MT200501-VW	B4-U0-G2

# BLUETOOTH PIR MOTION SENSOR



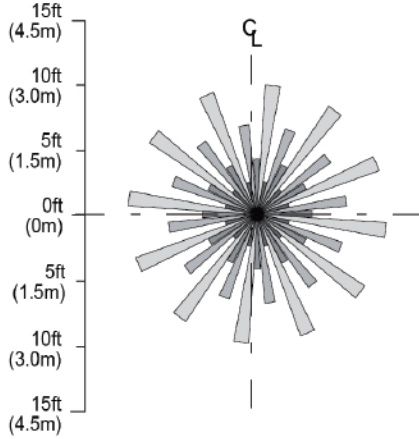
## Bluetooth Mesh Control



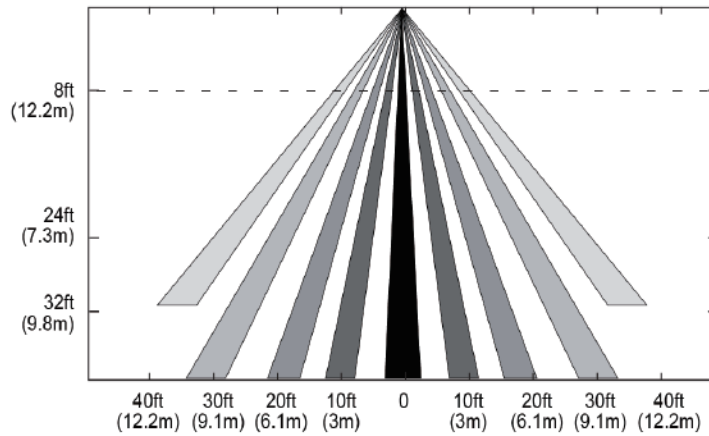
Model No.	Description	Input Voltage	Output
BMS-M100-PIR-DC1-BLE-SR-Z10-BZ	Fixture Controller with 0-10V Dimming, PIR Motion Sensor, Bluetooth Mesh in BlueMesh®, standard Dark Brown Color	12-24VDC	Control High 0-10V Dimming
BMS-M110-PIR-DC1-BLE-SR-Z10-BZ	Fixture Controller with 0-10V Dimming, PIR Motion Sensor, Light Sensing, Bluetooth Mesh in BlueMesh®, standard Dark Brown Color	12-24VDC	Control High 0-10V Dimming
BMS-M100-PIR-DC1-BLE-SR-Z10-WH	Fixture Controller with 0-10V Dimming, PIR Motion Sensor, Bluetooth Mesh in BlueMesh®, White Color, Silvair technology partner	12-24VDC	Control High 0-10V Dimming
BMS-M110-PIR-DC1-BLE-SR-Z10-WH	Fixture Controller with 0-10V Dimming, PIR Motion Sensor, Light Sensing, Bluetooth Mesh in BlueMesh®, White Color	12-24VDC	Control High 0-10V Dimming
BMS-M100-PIR-DC1-BLE-SR-Z10-BK	Fixture Controller with 0-10V Dimming, PIR Motion Sensor, Bluetooth Mesh in BlueMesh®, Black Color	12-24VDC	Control High 0-10V Dimming
BMS-M110-PIR-DC1-BLE-SR-Z10-BK	Fixture Controller with 0-10V Dimming, Light Sensing, Bluetooth Mesh in BlueMesh®, Black Color	12-24VDC	Control High 0-10V Dimming
LS01-LB-F3-XX	360° Low Bay Lens, maximum coverage 60ft diameter at 30ft and 40ft height –replace –XX with –BN for Brown finish, -BK for Black finish or –WT for Brown finish		
LS01-HB-F3-XX	360° High Bay Lens, maximum coverage 80ft diameter at 30ft-40ft height –replace –XX with –BN for Brown finish, -BK for Black finish or –WT for Brown finish		

## Detection Area

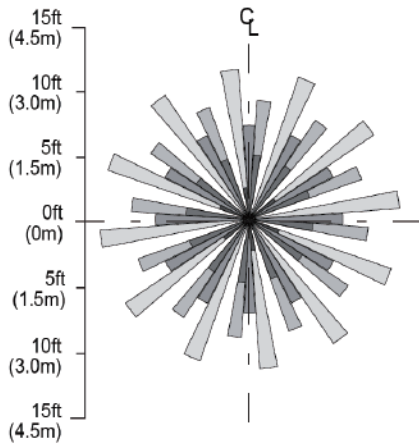
**High Bay Lens - Top View at 8 ft(2.4m)**



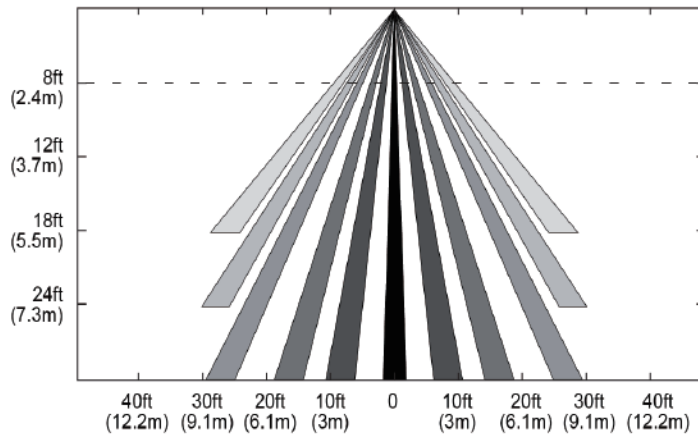
**Side View**



**Low Bay Lens - Top View at 8 ft(2.4m)**



**Side View**



## Warranty

Five year limited warranty. Full warranty terms located at [www.abovealllighting.com/warrantystatements/](http://www.abovealllighting.com/warrantystatements/)

Specifications subject to change without notice.