



## LANCASTER LED POST TOP



### PRODUCT DESCRIPTION

The Lancaster LED Post Top has an ultra modern, stylistic design and smooth curvature, exudes a tidy appearance. Self-clean cover design. Confidently suited for outdoor lighting applications such as landscape, courtyards, roadways.

### FEATURE

- Contemporary and architectural design
- Lumen packages ranging from 8,000 to 13,000 lumens
- 120-277V standard, 347V or 480V optional
- Type IV and V distributions available
- Self-clean cover design

### ELECTRICAL SYSTEM

- Input Voltage: 120-277VAC, 50/60Hz
- 0-10V dimming
- Operating temperature range: -40-104 °F (-40-40 °C)
- Power Factor: > 0.9
- Total Harmonic Distortion: < 20% at full load
- 10kV surge suppression available

### SPECIFICATION

Max. Weight: 9 lbs

Effective Projected Area (EPA): 0.656ft<sup>2</sup>

### PERFORMANCE

CRI

**70 is standard**

**80 is optional**

CCT

**3000K, 4000K, 5000K**

Projected Lifetime

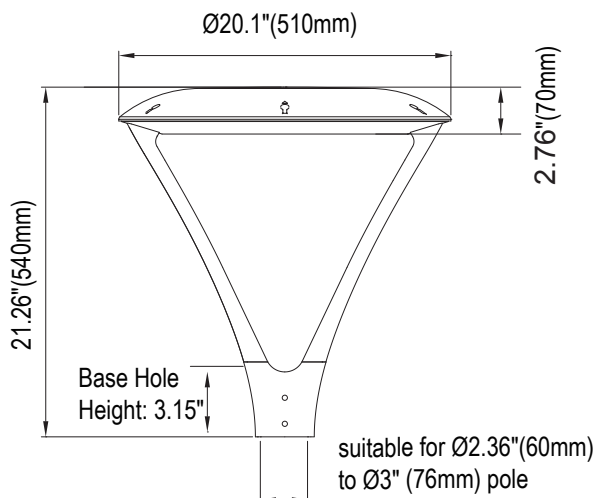
**L70 - 100,000 Hours**

Working Temperature

**-40-104°F (-40-40°C)**

Certifications

- **cETL Listed**
- **IP65 rated**
- **RoHS compliant**



## Ordering Information

**Example:** LNSPT-100301-BTPC-V-BK

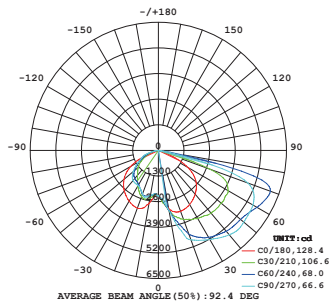
| Name  | Watts      | CCT        | Voltage    | - Control                            | - Installation                  | - Distribution | - Finish  |
|-------|------------|------------|------------|--------------------------------------|---------------------------------|----------------|---|
| LNSPT | 100 - 100W | 30 - 3000K | 1-120-277V | Blank - None                         | Blank - 2 3/8" to 3" Tenon Pole | IV - Type IV   | BK - Black                                      |
|       | 60 - 60W   | 40 - 4000K |            | BTPC - Button Photocontrol           |                                 | V - Type V     |   |
|       |            | 50 - 5000K |            | PC - 3 Pin Photocontrol <sup>1</sup> |                                 |                | * Custom colors will ask for additional charge. |
|       |            |            |            | 7P - 7 Pin Receptacle <sup>1</sup>   |                                 |                |   |

### Notice:

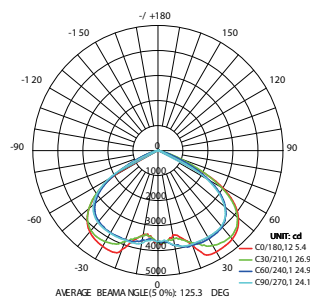
- \* 3Pin photocontrol and 7 Pin receptacle will take a long lead time. Please contact Customer Service for details.
- \* Black finish is standard. Additional charges will apply for all the other colors. Please contact customer service for premium adder.

## PHOTOMETRY

All published luminaire photometric testing performed to IESNA LM-79-08 standards by a NVLAP certified laboratory.



TYPE IV



TYPE V

## PERFORMANCE DATA

### LUMEN OUTPUT

Lumen values are measured by third party certified laboratories performed in accordance with IESNA LM-79-08 as well as Lighting Facts listed.

| Nominal Watts | Lumen Output | CCT   | Dist. Type | CRI | LPW |
|---------------|--------------|-------|------------|-----|-----|
| 60W           | 8000lm       | 4000K | Type V     | >70 | 133 |
| 100W          | 13000lm      | 4000K | Type V     | >70 | 130 |

## Warranty

Five year limited warranty.

Specifications subject to change without notice.