



INTEGRATE T-GRID LINEAR LIGHT



PRODUCT DESCRIPTION

The integrated T-grid Linear Light features detachable LED module with triple-sided unique optic design, allowing direct and indirect lighting with its 120 degree beam angle. Choose Flat, Interlude or Slot track mounting system in either 15/16" or 9/16" connectivity for easy, creative, ceiling installations. Seamless, continuous run lengths, in linear or 90° connectivity allow for flexible lighting patterns and unlimited ceiling lighting customization.

FEATURES

- Mounting brackets and led module are detachable
- Triple-side unique optic design
- Various standard 15/16" or 9/16" ceiling mount compatible
- Seamless continuous runs
- Flexible lighting patterns achievable
- RJ45 terminals for easy driver connection

ELECTRICAL SYSTEM

- Input Voltage: 120-277V, 50/60Hz
- Operating temperature range: -4-104°F (-20-40°C)
- Power Factor: > 0.9 at full load
- Total Harmonic Distortion: < 20% at full load

PERFORMANCE

CRI

80

CCT

3000K, 3500K, 4000K

Projected Lifetime

L70 - 100,000 Hours

Dimming

0-10V dimming

Working Temperature

-4-104°F (-20-40°C)

Certifications

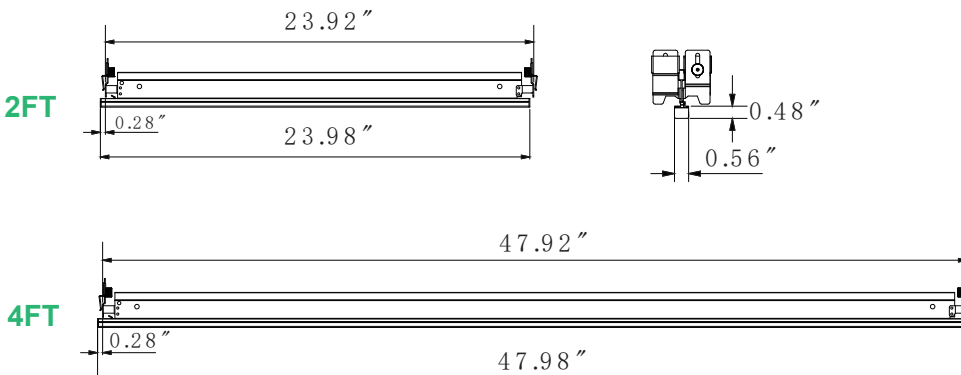
- cULus conforms to UL Std. 1598Cert. to CSA Std. C22.2 No.250.0
- Suitable for dry locations
- RoHS compliant

SPECIFICATION

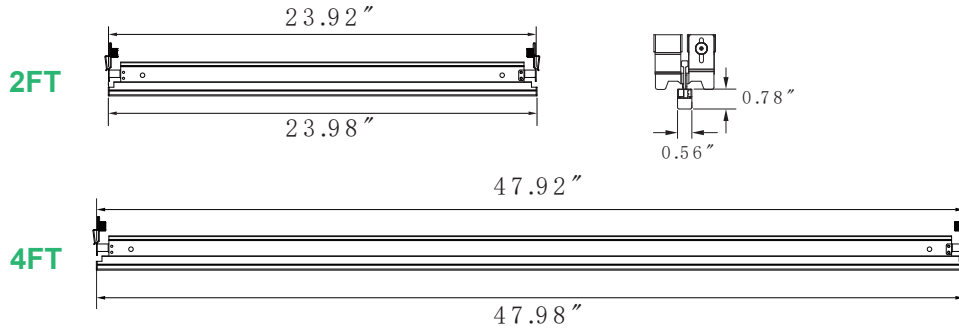
RJ45 cord length for 2ft T-grid linear light: 6ft

RJ45 cord length for 4ft T-grid linear light: 8ft

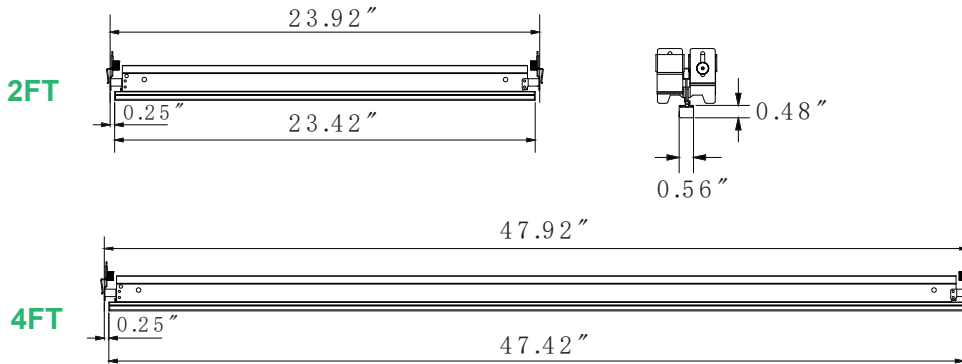
9/16" FLAT



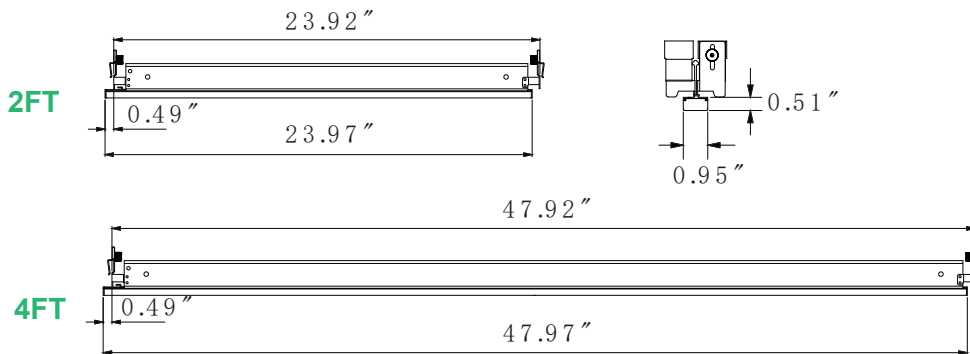
9/16" SLOT



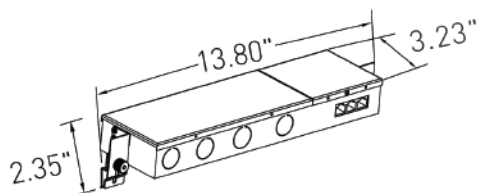
9/16" INTERLUDE



15/16" FLAT



ITL06-D-30W / ITL12-D-60W



DROP CEILING COMPATIBILITY

9/16" Flat



Suprafine® XL

9/16" Slot



Silhouette®
1/4" XL



Silhouette®
1/8" XL

9/16" Interlude



Interlude® XL

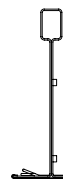


Sonata® X L

15/16" Flat



Prelude® XL

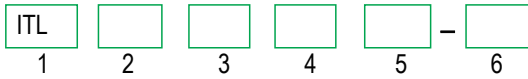


Clean Room

Note: Suprafine®, Silhouette®, Interlude®, Sonata®, Prelude®, are trademarks of Armstrong World Industries (AWI) company.

Ordering Information

Example: ITL12D351-9F



1. Series

ITL

2. Size

06 - 2FT

12 - 4FT

3. Dimming

D- 0-10V (12%-100%)

4. CCT

30 - 3000K

40 - 4000K

35 - 3500K

50 - 5000K

5. Voltage

1 - 120-277V*

* The led driver needs to be bought separately. Please check the following accessory table for details. Three lights can be Parallely Connected per Driver.

6. Ceiling Grid Type

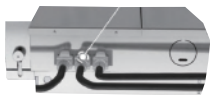
9F - 9/16" Flat

9I - 9/16" Interlude

9S - 9/16" Slot

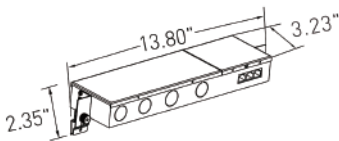
15F - 15/16" Flat

Accessories (ordered separately and field installed)



ITL06-D-30W

120-277V Driver Kits for 2ft 10W Integrate T-grid Linear
(Parallely connected 3 pieces fixtures per driver)



ITL12-D-60W

120-277V Driver Kits for 4ft 20W Integrate T-grid Linear
(Parallely connected 3 pieces fixtures per driver)



RJ45 extension cord, 12ft

PERFORMANCE DATA

Lumen values are measured by third party certified laboratories performed in accordance with IESNA LM-79-08 as well as Lighting Facts listed.

T-grid Ceiling	9/16" Flat	9/16" Interlude	9/16" Slot	15/16" Flat
Lengths	2FT/4FT	2FT/4FT	2FT/4FT	2FT/4FT
Wattage	10W/20W	10W/20W	10W/20W	10W/20W
CCT	3500K	3500K	3500K	3500K
Voltage	120-277V (Ext.Driver)	120-277V (Ext.Driver)	120-277V (Ext.Driver)	120-277V (Ext.Driver)
Efficacy	115lm/w	115lm/w	115lm/w	130lm/w
Lumen Output	1150lm @ 2FT 2300lm @ 4FT	1150lm @ 2FT 2300lm @ 4FT	1150lm @ 2FT 2300lm @ 4FT	1300lm @ 2FT 2600lm @ 4FT
Custom Pattern	YES	NO	YES	YES
Emergency Option	YES	YES	YES	YES
Plenum Rated Cable Option	YES	YES	YES	YES



For 9-16FT Flat



For 9-16FT Interlude



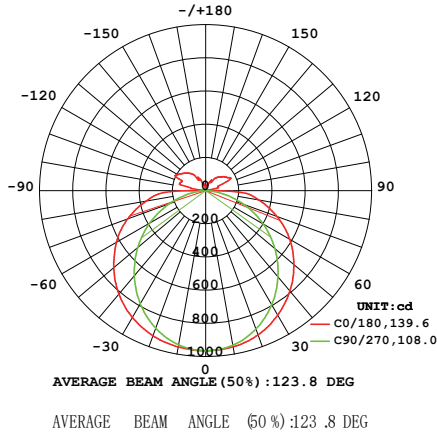
For 9-16FT Slot



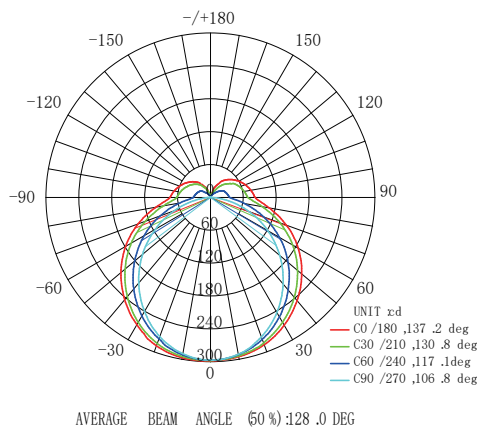
For 15-16FT Flat

PHOTOMETRY

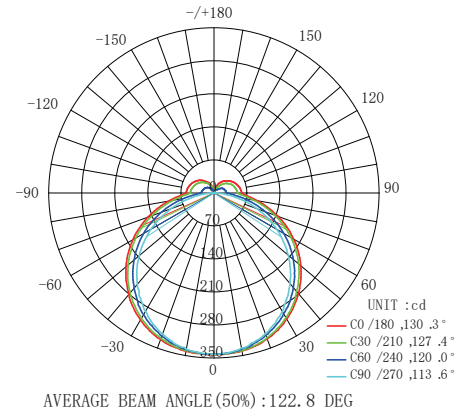
All published luminaire photo metric testing performed to IESNA LM-79-08 standards by a NVLAP certified laboratory. IESNA LM-79-08 specifies the entire luminaire as the source resulting in a fixture efficiency of 100%. Result may vary per actual order.



9/16" Flat



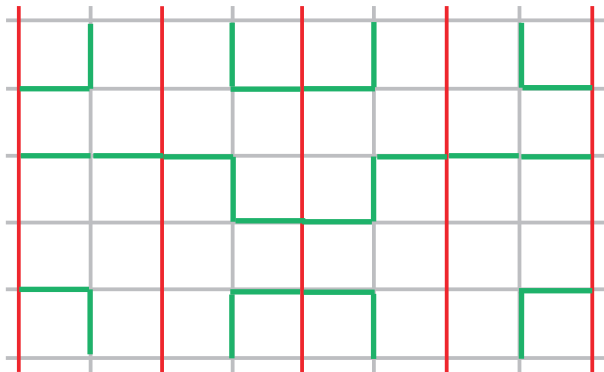
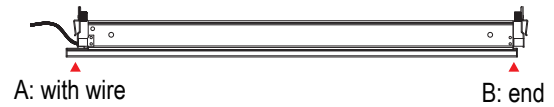
9/16" Slot



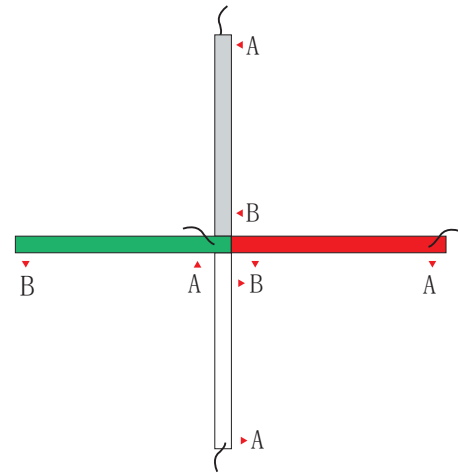
15/16" Flat

CUSTOM PATTERN

The T-grid between the main runners can be replaced by our Integrated T-grid Linear Lights in many patterns.



- Examples of configurations
- Possible positions for T-grid LED light modules
- One-piece main runner cannot be replaced



Remark: Only one A-end with wire in joint

Warranty

Five year limited warranty.

Note:

Specifications subject to change without notice.