



GEN.3 LED UFO HIGH BAY



PRODUCT DESCRIPTION

The GEN.3 LED UFO High Bay Light is ideal for replacing an existing HID, fluorescent or induction lighting system for reduced maintenance costs. For use in light industrial applications such as workshops, warehouses, indoor stadiums, etc. The pure aluminum heat sink enables the lumen efficacy higher with excellent thermal management in one-piece structure by die-casting technology.

FEATURE

- Compact die-cast aluminum body design
- Reflector is available
- Wireless bluetooth system and Motion sensor control available
- 347/480V for option
- Various mounting options

ELECTRICAL SYSTEM

- Input Voltage: 120-277V, 347/480V, 50/60Hz
- Minimum ambient -22°F, maximum ambient 104°F
- Power Factor: > 0.9 at full load
- Total Harmonic Distortion: < 20% at full load

PERFORMANCE

CRI

70

CCT

4000K, 5000K

Dimming

0-10V dimming
with 12V Auxiliary power

Note: Dimming wire is connected to sensor receptacle. Please ask an electrician to disconnect the dimming wires if they need to be used for other purposes.

Projected Lifetime

L70 - 100,000 Hours

Working Temperature

-22-104°F (-30-40°C)

Certifications

- cULus Listed
- IP65 rated
- RoHS compliant

SPECIFICATION

Product Size :

100-150W:φ272.7X57.1mm (10.74"X2.25")

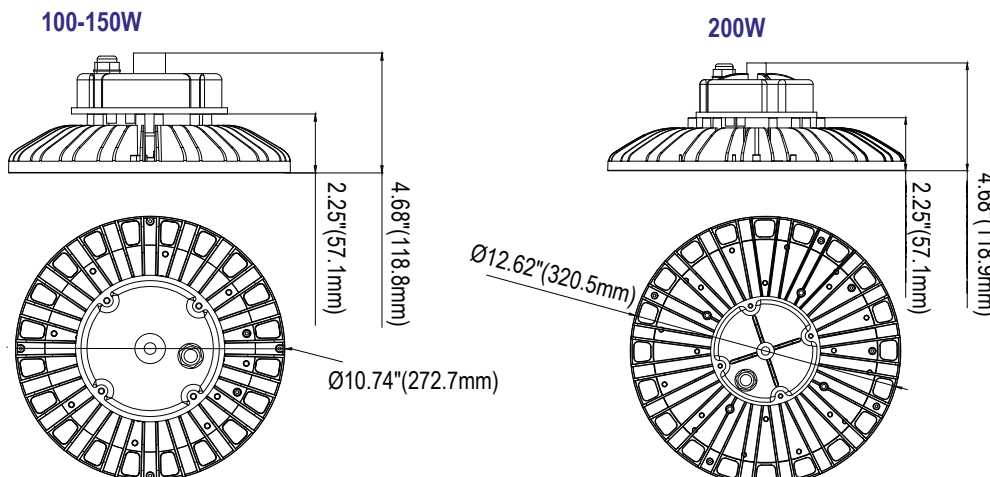
200W:φ320.5X57.1mm (12.62"X2.25")

Net weight :

100W:2.33Kg (5.14 lbs)

150W:2.43Kg (5.36 lbs)

200W:2.98Kg (6.57 lbs)



Ordering Information

Example: HBG3-100501

Series	- Watts	CCT	Voltage	Controls	Installation	Distribution	Options
HBG3	100 -100 Watts	40 - 4000K	1 -120-277VAC	Blank - With sensor Receptacle	Blank-Loop	Blank-90° polycarbonate lens	Ordered and shipped separately¹
	150 -150 Watts	50 - 5000K	6 -347/480VAC				
	200 -200 Watts			Ordered and shipped separately¹	Ordered and shipped separately¹		HBG3-ALR-S HBG3-ALR-L
				BMS-S6-PIR-DC1- BLE-SR-PPM	HBG3-P1 HBG3-P2 HBG3-TR		
			Bluetooth PIR Motion Sensor				
			BMS-S6-PIR-DC1-PPM				
			PIR Motion Sensor				
			BLD-UM30R				
			30W Emergency Battery Backup ²				

Notice:

1. Ordered and shipped separately as an accessory. More details in the following accessory table.
2. Emergency battery backup is not available for 480VAC.

* Standard Finish is Black. Custom colors are available at an additional cost. Please check with Customer Service for more information.

Accessories (Ordered separately)



HBG3-ALR-S

Aluminum reflector
for 100W and 150W



HBG3-PCR-S

Polycarbonate reflector
for 100W and 150W



HBG3-PCR-CGS

Polycarbonate
conical
glare shield



HBG2-P1

3/4" pendant adapter
for 120-277V



HBG2-TR

Trunnion Mount Bracket

HBG3-ALR-L

Aluminum reflector
for 200W

HBG3-PCR-L

Polycarbonate reflector
for 200W

HBG2-P2

3/4" pendant adapter
for 347V/480V



L5-15P 125V 15A
Straight Plug 6ft black
(18AWGx3)



BMS-S6-PIR-DC1- BLE-SR-PPM

Bluetooth PIR
Motion Sensor



BMS-S6-PIR-DC1-PPM

Standalone PIR
Motion Sensor



BLD-UM30R

30W Emergency
Battery Backup



RN1

Remote control
for Emergency
Battery Backup



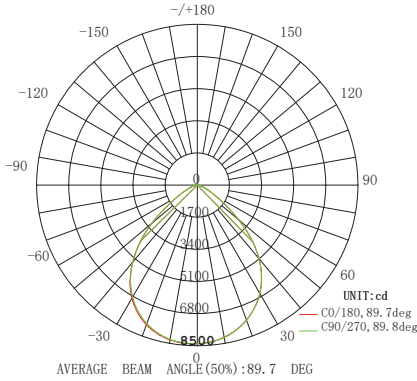
AAL-RC-100

Remote control
for sensor

L7-15P 277V 15A
Twist Lock Plug 6ft black
(18AWGx3)

PHOTOMETRY

All published luminaire photometric testing performed to IESNA LM-79-08 standards by a NVLAP certified laboratory.



PERFORMANCE DATA

LUMEN OUTPUT

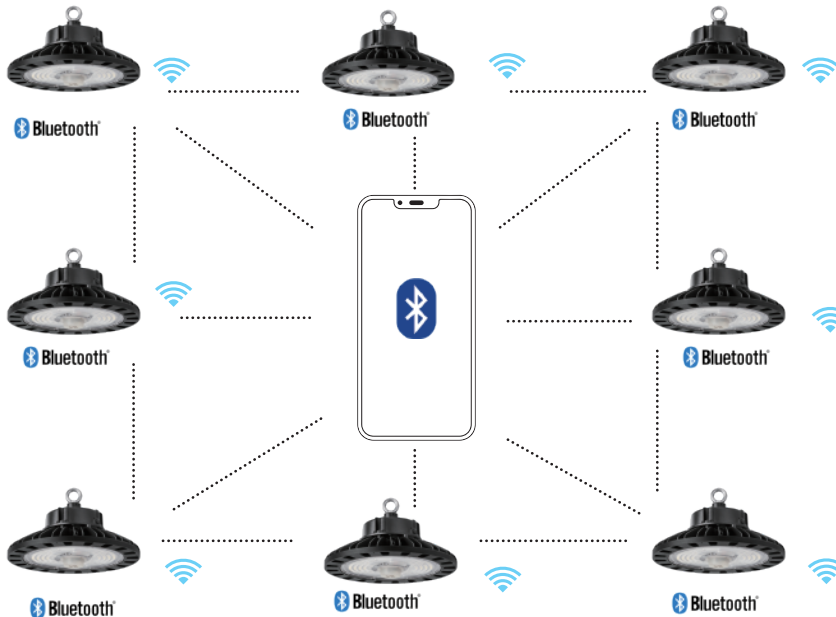
Lumen values are measured by third party certified laboratories performed in accordance with IESNA LM-79-08 as well as Lighting Facts listed.

Watts	Lumen Output	AC Input 120V	CRI	CCT	LPW
100W	16500	0.83A	>70	5000K	165
150W	24000	1.25A	>70	5000K	160
200W	32000	1.67A	>70	5000K	160

BLUETOOTH PIR MOTION SENSOR

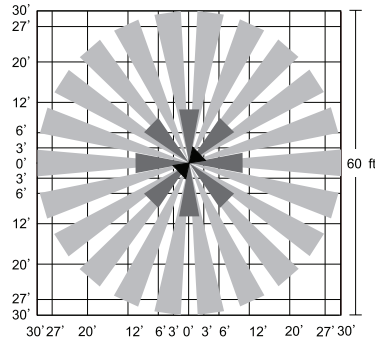
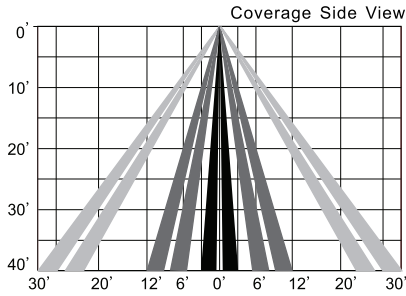
Model No.	Description
BMS-S6-PIR-DC1-BLE-SR-PPM	Wireless Bluetooth PIR occupancy sensor with daylight harvesting capability.

Bluetooth Mesh Control



* Gateway is needed for industry applications.

Detection Area



Max. Mounting Height 40ft

Ref#: 20241122

Warranty

Five year limited warranty is based on the maximum working temperature of 77°F.

Note:

Specifications subject to change without notice.