



# CORRUGATED The Acoustic Light



## PRODUCT DESCRIPTION

The Corrugated acoustic light is made up of a sound absorbing polyester fiber materials. It is a new materials that integrate sound absorbing, heat insulation and decorative effects. The corrugated surface allows for various frequencies of sound to be absorbed within a space. Deep anti-glare cup optic design is for better glare control.

## FEATURE

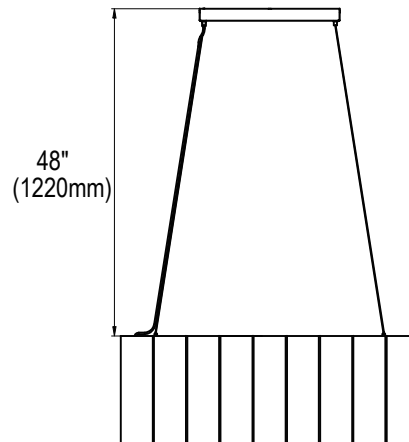
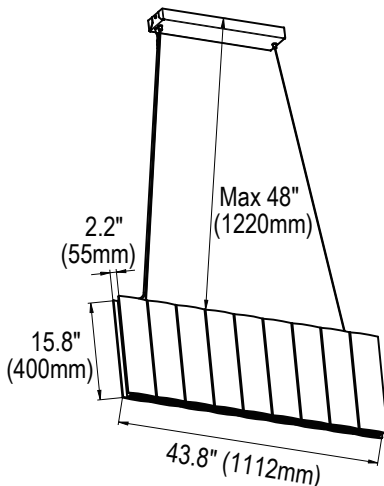
- Corrugated surface design for better sound absorbing
- Sound absorbing polyester fiber
- Deep anti-glare cup optics
- Various finish colors available

## ELECTRICAL SYSTEM

- Input Voltage: 120-347V, 50/60Hz
- 0-10V Dimming optional
- Minimum Ambient -20°C, Maximum Ambient is 40°C  
Power Factor: > 0.9 at full load
- Total Harmonic Distortion: < 20% at full load

## SPECIFICATION

Net Weight: 7.72 lbs / 3.5 kg



## PERFORMANCE

CRI

80

CCT

3000K, 3500K, 4000K

Dimming

0-10V Dimming

Projected Lifetime

L70 - 100,000 Hours

Working Temperature

-4-104°F (-20-40°C)

Certifications

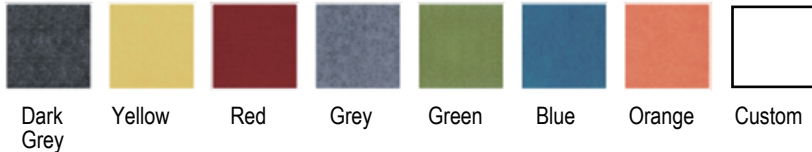
- cETLus conforms to UL Std. 1598  
Cert. to CSA Std. C22.2 No.250.0
- Suitable for dry locations
- RoHs compliant

## Ordering Information

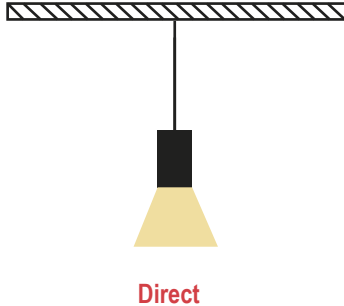
Example: CORD36-40808-DG

Series	Distribution	Watts	. CCT	CRI	Voltage	Installation	. Controls	. Acoustic Color
COR	D - Direct	36 - 36W	- 30 - 3000K 35 - 3500K 40 - 4000K	80 - 80Ra	8-120-347V	Blank -Pendant	- Blank-None	- DG-Dark Grey GN-Green BU-Blue

## Acoustic Color Options



## Illumination Ratio



## PERFORMANCE DATA

### LUMEN OUTPUT

Lumen values are measured by third party certified laboratories performed in accordance with IESNA LM-79-08 as well as Lighting Facts listed.

Nominal Watts	Measured Watts	Lumen Output	AC Input 120V	CCT	CRI	LPW
36	35	<b>3500</b>	0.3A	4000K	80	100

## Warranty

Five year limited warranty.

## Note:

Specifications subject to change without notice.