



ARRAY LED AREA LIGHT



PRODUCT DESCRIPTION

The robust Array LED Area Light features a die-cast aluminum heatsink and sophisticated mechanical design. First-class chip features lighting efficiency up to 155LPW. Available in popular IES distribution type include Type II, III, IV and V. Various mounting options, photocontrol, motion sensor, and high voltage of 347/480 are available. The Array led area light is ideal for parking lots, roadways, auto dealerships, and field lighting.

FEATURE

- High efficiency up to 155LPW
- IES distribution Types II, III, IV & V
- Various mounting options
- Photocell, sensor, 7pin receptacle
- 10kA surge protection included

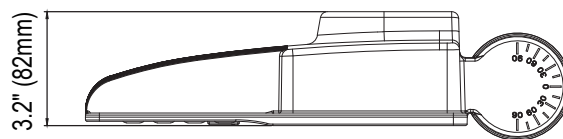
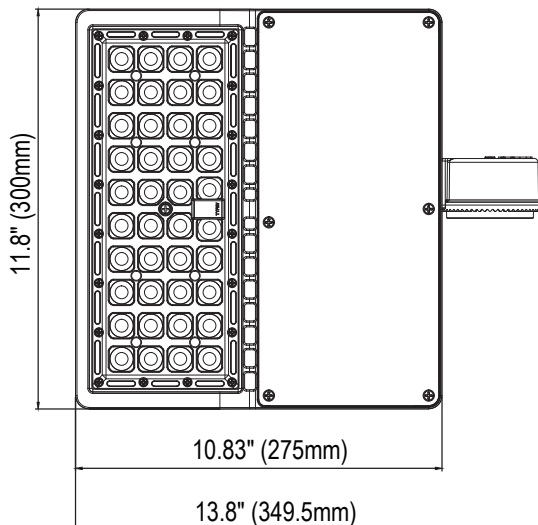
ELECTRICAL SYSTEM

- Input Voltage: 120-277V, 347V/ 480V 50/60Hz
- Minimum Ambient -40°F, maximum ambient 104°F
- Power Factor: > 0.9 @120Vac
- Total Harmonic Distortion: < 20%
- Integral 10KV surge suppression protection standard

SPECIFICATION

100W/150W

Net Weight: 9.04 lbs



PERFORMANCE

CRI

70 is standard

80 is optional

CCT

3000K, 4000K, 5000K

Dimming

1-10V Dimming Standard

Projected Lifetime

L70 - 154,000 Hours

Working Temperature

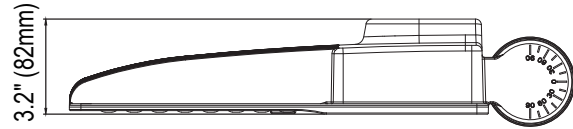
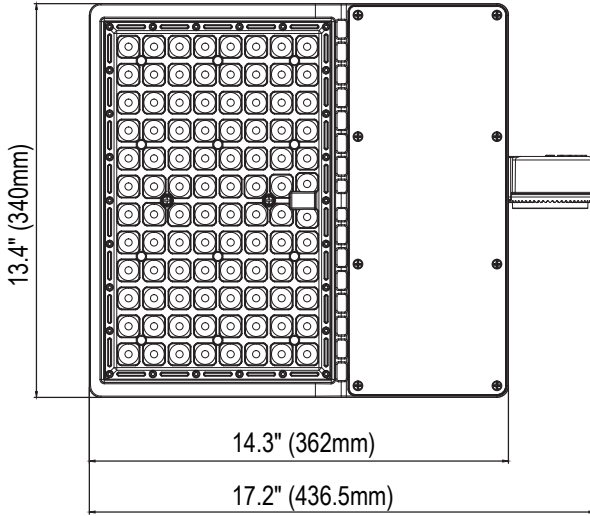
-40-104°F (-40-40°C)

Certifications

- cUL Listed
- DLC Premium Listed
- IP65 rated
- RoHS compliant

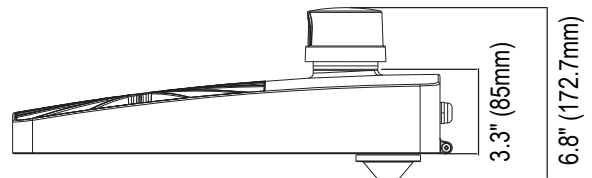
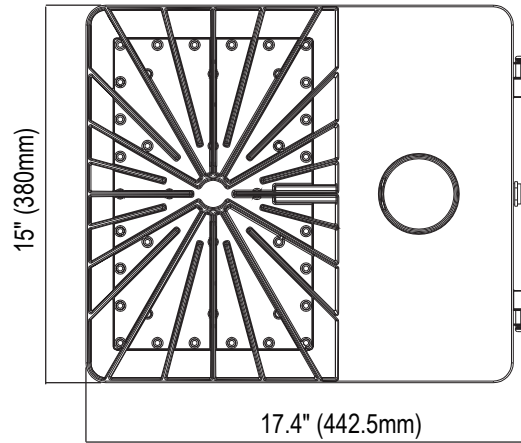
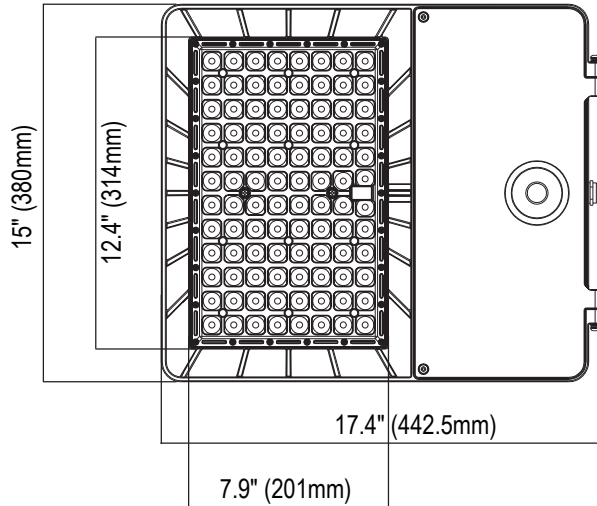
200W/240W

Net Weight: 12.68 lbs



300W

Net Weight: 15.65 lbs



Ordering Information

Example: ARY100501-IV

Name	Watts	CCT	Voltage	Controls	Distribution	Finish
ARY	100 - 100 Watts	30 - 3000K	1 - 120-277V	Blank - None	II - Type II	Standard
	150 - 150 Watts	40 - 4000K	6 - 347V/480V ¹	PC - Photoelectric Control	III - Type III	Blank - Black
	200 - 200 Watts	50 - 5000K		7P - 7 Pin PE Receptacle	IV - Type IV	Optional*
	240 - 240 Watts			MSW - Microwave Motion Sensor ²	V - Type V	AL - Aluminum Silver
	300 - 300 Watts					BZ - Bronze WH - White (See Notes)

Note:

1. If choose 347/480V, please do not choose photoelectric control.
2. Motion sensor is only for 120-277V. For mounting height 40ft (12m) max. Dimming default setting is dimming to 30% and none Cut Off. Besides, daylight sensor default setting is 30lux. Other dimming levels and ON/OFF function can be set by the remote controller RC-100.

* Standard Finish is black. Additional charge will apply for optional finish.

Accessories (ordered separately/field install)



ARY-S/RAR-S

Square and Round pole Arm for 100/150/200/240W Array Area Light



ARY-SF-S

Slip Fitter for 100/150/200/240W Array Area Light



ARY-SAR-L

Square pole Arm for 300W Array Area Light



ARY-RAR-L

Round pole Arm for 300W Array Area Light



ARY-SF-L

Slip Fitter for 300W Array Area Light

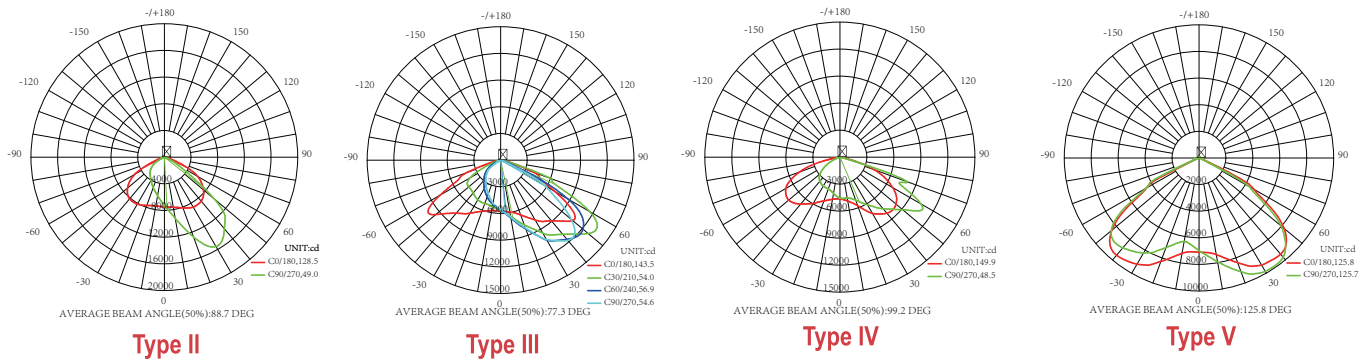


ARY-TR-L

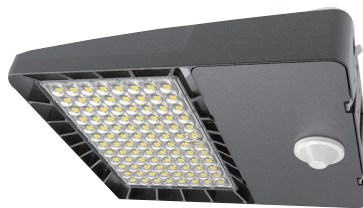
Trunion for 300W Array Area Light

PHOTOMETRY

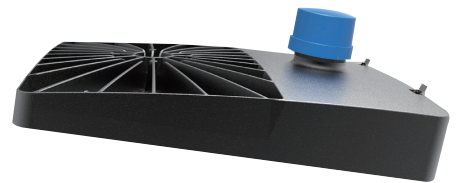
All published luminaire photometric testing performed to IESNA LM-79-08 standards by a NVLAP certified laboratory.



100-240W
 Sensor & Photocontrol
 available



300W with Sensor



300W with Photocontrol

PERFORMANCE DATA

LUMEN OUTPUT

Lumen values are measured by third party certified laboratories performed in accordance with IESNA LM-79-08 as well as Lighting Facts listed.

Watts Measured	Watts	Lumen Output	AC Input 277V	CRI	CCT	Dist. Type	LPW
100W	100W	15,000lm	0.36A	>70	5000K	Type V	150
150W	149W	22,500lm	0.54A	>70	5000K	Type V	151
200W	200W	31,000lm	0.72A	>70	5000K	Type V	155
240W	240W	35,760lm	0.87A	>70	5000K	Type V	149
300W	299W	43,950lm	1.08A	>70	5000K	Type V	147

* The test results are based on initial stage and with AC277V input.
 * For 4000K fixtures, use 0.94 multiplier; For 3000K fixtures, use 0.90 multiplier.

Lumen Ambient Temperature (LAT) Multipliers

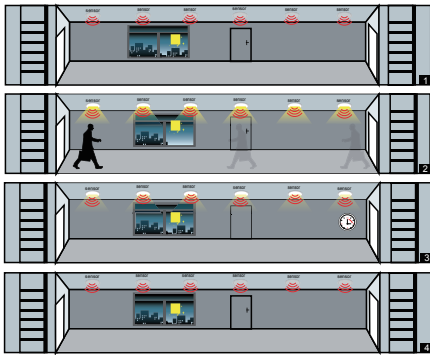
Use these factors to determine relative lumen output for average ambient temperature from -40-104°F (-40-40°C).

Ambient		Multiplier
Celsius	Fahrenheit	
0	32	1.02
10	50	1.01
20	68	1.00
25	77	1.00
30	86	1.00
40	104	0.99

System Wattage	Max THD (%)	Power Factor(at 120Vac)	Power Efficiency	Replaces/Equiv. (MH/HPS)
100W	20	>0.9	93%	250W
150W	20	>0.9	93%	400W
200W	20	>0.9	93%	600W
240W	20	>0.9	93%	750W
300W	20	>0.9	93%	1000W

PIR DIMMING SENSOR FUNCTION

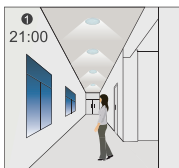
The sensor is an innovative motion sensor, switch on the light on detection of movement, and switch off after a hold time when there is no motion detected.



1. No motion detected, all lamps switch off.
2. Any movement is detected from any direction, all lamps synchronously switch on.
3. No motion is detected in detection area, all lamps synchronously dim to a low light level after hold time.
4. After stand-by period, the lamps switch off if no movement is detected in the detection zone.

Note: if you choose STAND-BY DIM is 0, the stand-by period is 0, it is ON/OFF function.

PHOTOCELL FUNCTION



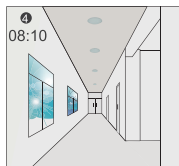
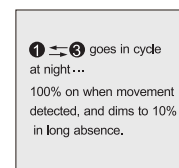
The light switches on at 100% when there is movement detected.



The light dims to stand-by level after the hold-time.



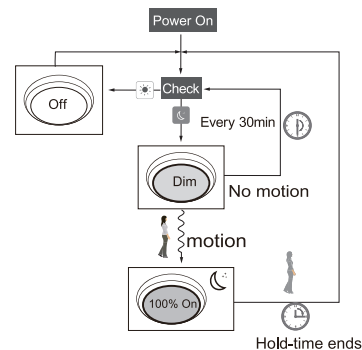
The light remains in dimming level at night.



When the natural light level exceeds setpoint off to light, the light will turn off even if when the space is occupied.



The light automatically turns on at 10% when natural light is insufficient (no motion).



PIR DIMMING SENSOR SETTING DBI823-B-D (120-277V)

By selecting the combination on the DIP switch, sensor data can be precisely set for each specific application. The sensor setting also can be done by a remote control (RC-100) which need to be bought separately.

	1	2	
	↓	↓	20%
	↓	↑	50%
	↑	↓	75%
	↑	↑	100%

Sensitivity

Sensitivity can be reduced by selecting the combination on the DIP switches to fit precisely each application .

Default Setting: 100%

	3	4	
	↓	↓	10 S
	↓	↑	1 Min
	↑	↓	5 Min
	↑	↑	15 Min

Hold time

Refers to the time period the lamp remains at 100% illumination after no motion detected.

Default Setting: 1min

	5	6	
	↓	↓	☀
	↓	↑	10 Lux
	↑	↓	30 Lux
	↑	↑	50 Lux

Daylight sensor

The sensor can be set to only allow the lamp to illuminate below a defined ambient brightness threshold.

Default Setting: 30lux

	7	8	
	↓	↓	0%
	↓	↑	10%
	↑	↓	30%
	↑	↑	50%

Stand-by dimming level

The low light level you would like to have after the hold time in the long absence of people.

Default Setting: 30%

	9	10	
	↓	↓	+ ∞
	↓	↑	1 Min
	↑	↓	30 Min
	↑	↑	60 Min

Stand-by time

Refers to the time period the lamp remains at a low light level before it completely switches off in the long absence of people. When set to " +∞ " mode, the low light is maintained until motion is detected

Default Setting: +∞

BUG Rating

Performed to IESNA LM-79-08 standards by a NVLAP accredited laboratory

Model	BUG Rating	Model	BUG Rating	Model	BUG Rating
ARY100401-II	B3-U0-G2	ARY150401-IV	B3-U0-G3	ARY300501-II	B4-U0-G3
ARY100401-III	B3-U0-G2	ARY200401-IV	B4-U0-G3	ARY300501-III	B4-U0-G3
ARY100401-IV	B3-U0-G2	ARY240401-IV	B4-U0-G3	ARY300501-IV	B4-U0-G4
ARY100401-V	B3-U0-G1			ARY300501-V	B5-U0-G1

Warranty

Five year limited warranty.

Specifications subject to change without notice.