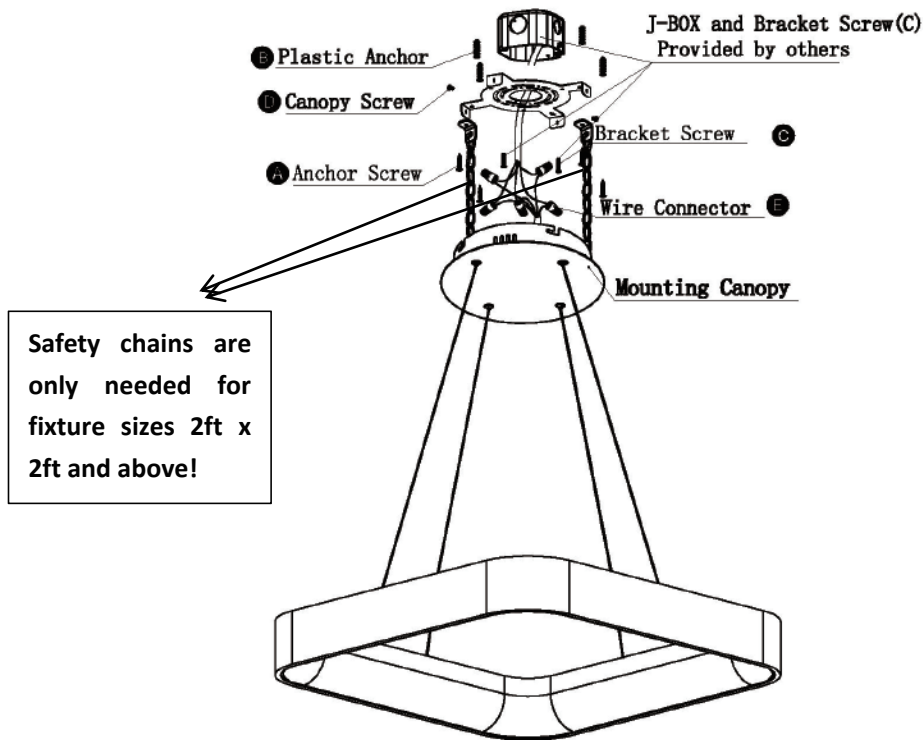




Please read this installation manual carefully before installation, keep it for future reference! Products are well packed and performing well before leave our factory. Please strictly follow the instructions listed in the manual. Factory or distributor shall not be hold responsible for any mis-operation or damage caused by not following up the manual!

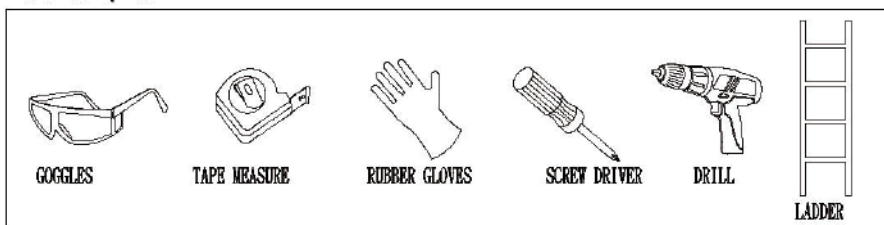
Installation Diagram



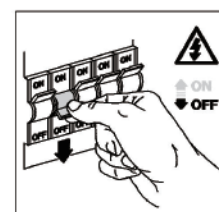
step 1

Shut "OFF" the electricity at main fuse box.
Place the wall switch in the "OFF" position of the room you are installing the fixture.

Tools You May Need

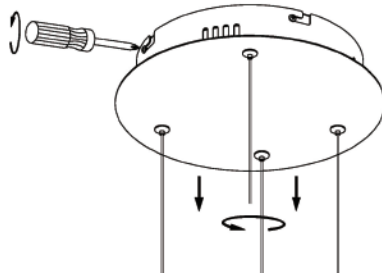


Circuit Box



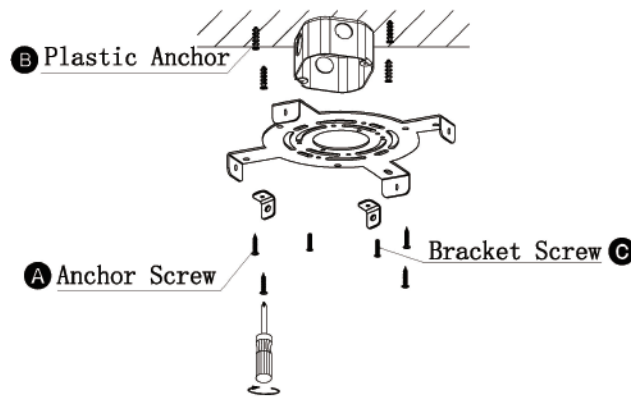
Step2

Rotate Canopy and take it out from Bottom Bracket as below.



Step3

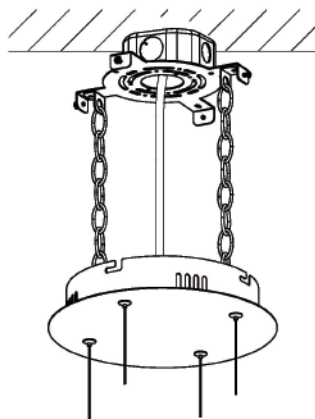
Take out Plastic Anchors, drill 4 pcs or 6 pcs diameter 6mm holes on the ceiling according to Mounting Bracket. **(note: the fixture is bigger than 2ft*2ft (include 2ft*2ft) , need 6pcs holes, 4 for Bracket screw, 2 for safety chain Bracket screw)**. Insert the Plastic Anchors into the holes. Use 2 pcs M4*25mm Bracket Screws to fix Mounting Bracket with J-Box, refer to picture shown below.



Step4

Use 4pcs M4*25 Self-Tapping Anchor Screws to fix Mounting Bracket on the ceiling.

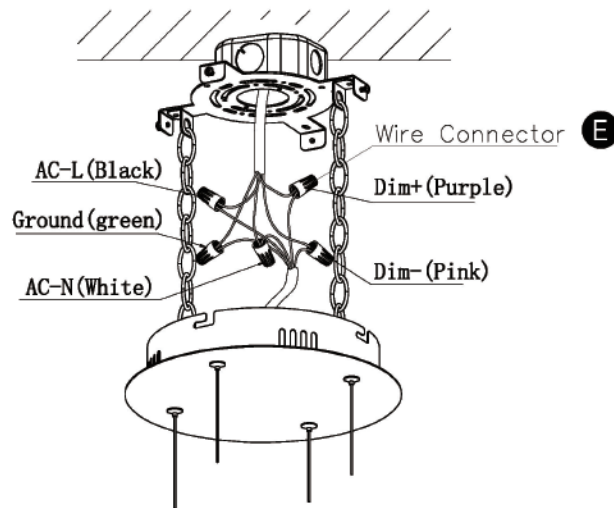
NOTE:J-BOX used by Garvin 54171-S or equivalent and Bracket Screws provided by others.



Attention: Must secure mounting plate at all connection points (junction box plus four outer points for small and medium size, or six outer points for large size) to support fixture weight appropriately. Not using all mounting points could damage the fixture and void product warranty.

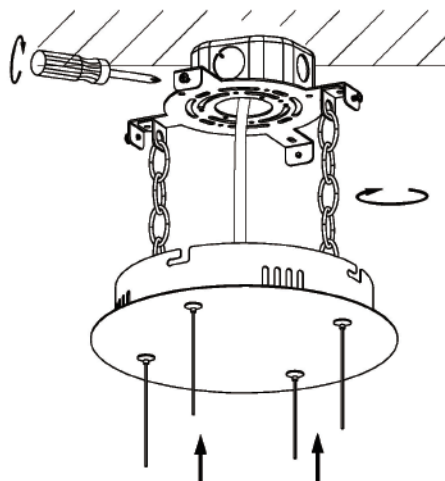
Step 5

Use wire connectors to connect L,N,G,DIM+,DIM- wires. After finish, put all wires with connector into J-Box.



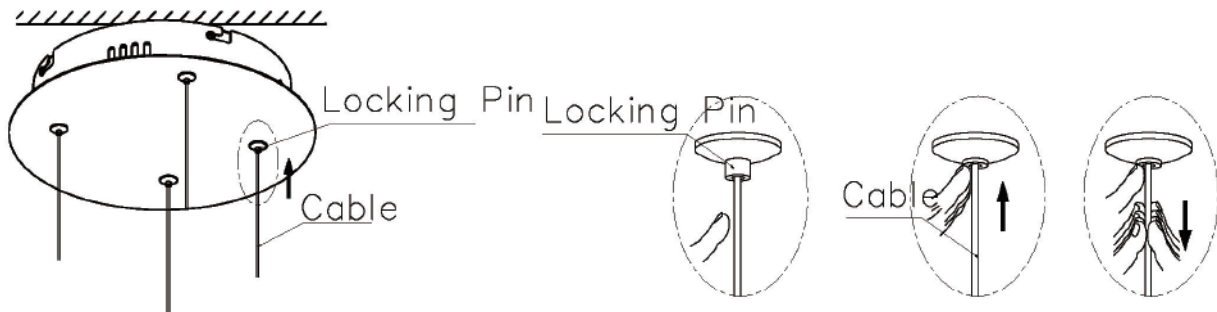
Step 6

Use Screw driver to adjust Mounting Bracket and Mounting Canopy.



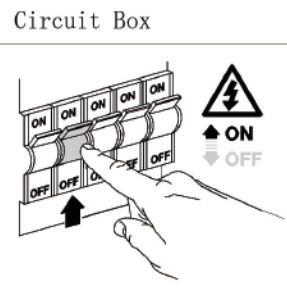
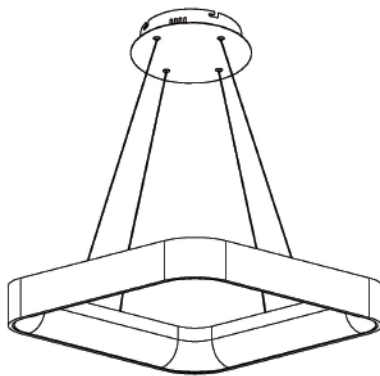
Step 7

Adjust the fixture power cable and aircraft cable length. Then loosen all the cables.



Step 8

After finish installation, turn on the electricity at main fuse box, the lighting works.



Warnings

- MIN 90 °C SUPPLY CONDUCTORS/LES FILS D'ALIMENTATION 90 °C MIN
 - DAMP LOCATIONS ONLY/POUR EMPLACEMENTS SECS SEULEMENT
 - CAUTION – RISK OF FIRE/ATTENTION – RISQUE D'INCENDIE
- THIS PRODUCT MUST BE INSTALLED IN ACCORDANCE WITH THE APPLICABLE INSTALLATION CODE BY A PERSON FAMILIAR WITH THE CONSTRUCTION AND OPERATION OF THE PRODUCT AND THE HAZARDS INVOLVED/CE PRODUIT DOIT ÊTRE INSTALLÉ SELON LE CODE D'INSTALLATION PERTINENT, PAR UNE PERSONNE QUI CONNAÎT BIEN LE PRODUIT ET SON FONCTIONNEMENT AINSI QUE LES RISQUES INHÉRENTS
- Application temperature for ring light is -20°C~40°C , humidity is 0~95 % . Otherwise there may be harm to the lifespan of the ring light.
 - Please TURN OFF POWER before installation. This lamp must be installed and maintained by electrician or qualified personnel.
 - Pay attention to fire prevention, electricity and shock resistance.
 - Please do not cover the combustibles on the fixture.
 - All screws and terminals should be tightened and tightly inserted. No loosening and improper connection are allowed. Attention should be paid to the polarity of components, power supply, driver and so on.
 - Terminals should be tightened and tightly inserted. No loosening and improper