



## 4" 1500LM ADJ PORLA LED DOWNLIGHT

### PRODUCT DESCRIPTION

The 4" Porla recessed led downlight has integral driver in a remote driver box. Features in adjustable head with 1500lm. Five CCT selectable. Flexibility to switch color temperature during installation with the slide switch located on the cable. Reflector optic design. Ideal for a variety of applications for both residential and commercial settings.

### FEATURE

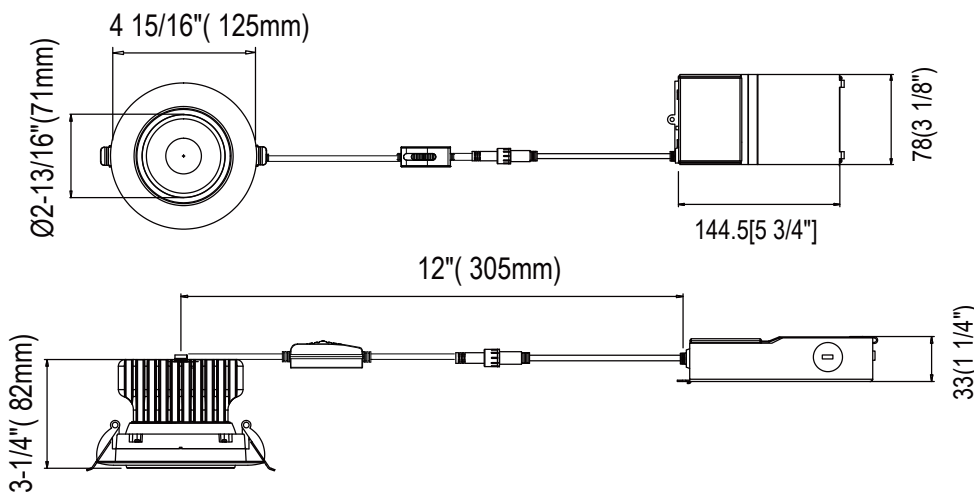
- Five CCT selectable
- Type IC rated-no housing needed
- Aluminum construction
- Head is adjustable
- FT6 cable is standard

### ELECTRICAL SYSTEM

- Input Voltage: 120V or 120-277V, 50/60Hz
- Triac dimming is standard; 0-10V is optional
- Minimum Ambient -20°C, Maximum Ambient is 40°C  
Power Factor: > 0.9 at full load
- Total Harmonic Distortion: < 20% at full load

### SPECIFICATION

#### Triac and 0-10V Dimming



### PERFORMANCE

#### CRI

90

#### CCT SELECTABLE

2700K, 3000K, 3500K, 4000K, 5000K

#### Dimming

**Triac dimming is standard;**  
0-10V is optional

#### Projected Lifetime

**L70 - 50,000 Hours**

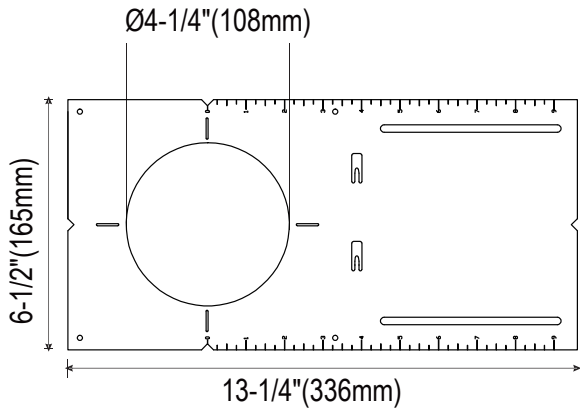
#### Working Temperature

**-4-104°F (-20-40°C)**

#### Certifications

- cETLus conforms to UL Std. 1598  
Cert. to CSA Std. C22.2 No.250.0
- Suitable for wet locations
- IC rated
- RoHS compliant
- Warranty 5 years



**POR04-ADJ-RIP1**


## ORDERING INFORMATION

### PORLA DOWNLIGHT MODULE

Example for downlight module: **POR04-ADJ-R-15LM-90-MWH**

SERIES	SIZE	ADJUSTABLE	SHAPE	LUMENS/CRI	TRIM FINISH	DRIVER
POR	04- 4"	ADJ - Adjustable	R - Round	15LM-90- 1500lm/90CRI	MWH - Matte White MBK - Matte Black	POR04-18W-4 - 1500lm Triac Dimmable Driver POR04-18W-1 - 1500lm 0-10V Dimmable Driver

#### ROUGH-IN PLATE



#### **POR04-ADJ-RIP1**

New construction  
pre-mounting plate  
opening Ø4-1/4" (108mm)

#### FT6 EXTENSION CABLE



FT6 Extension Cable

#### **POR-EXC6-FT6**

6 feet cable

#### **POR-EXC10-FT6**

10 feet cable

#### **POR-EXC20-FT6**

20 feet cable

#### Notice:

- \* 2700K, 3000K, 3500K, 4000K, 5000K selectable. 3000K is default setting.
- \* Custom finish color is available for trim and additional charge will apply for custom finish.

## PERFORMANCE DATA

### LUMEN OUTPUT

Lumen values are measured by third party certified laboratories performed in accordance with IESNA LM-79-08 as well as Lighting Facts listed.

Size	4 Inch ADJ
Wattage	18W
Lumen	1500lm@4000K
CCT	2700K/3000K/3500K/4000K/5000K Selectable
Beam Angle	38 degree
CRI	90
Dimming	Triac or 0-10V dimming
Cut Out	Ø4-1/4" (108mm)



## Warranty

Five year limited warranty.

## Note:

Specifications subject to change without notice.

**JA8**  
TITLE 24