



## 4" PORLA LED DOWNLIGHT 1500LM & 2000LM

### PRODUCT DESCRIPTION

This 4" Porla recessed led downlight is powered by high efficiency LED chips and external LED driver. Round and square shapes with integral driver in a remote driver box. Five CCT selectable. Flexibility to switch color temperature during installation with the slide switch located on the cable. Reflector optic design. Ideal for a variety of applications for both residential and commercial settings.

### FEATURE

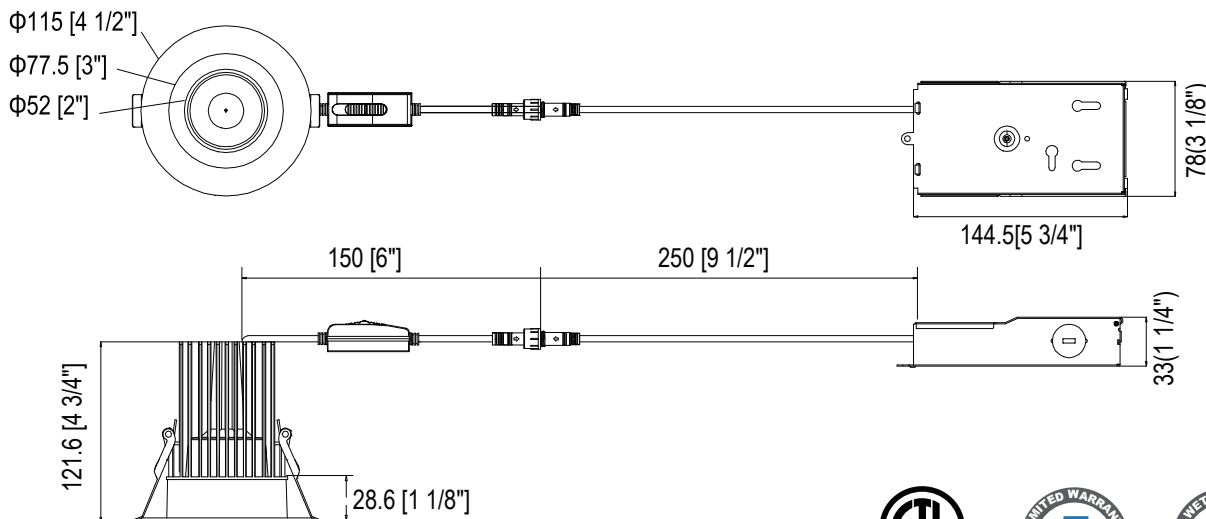
- 4" comes in round and square shapes
- Five CCT selectable
- Aluminum construction
- FT6 cable is standard

### ELECTRICAL SYSTEM

- Input Voltage: 120V or 120-277V, 50/60Hz
- Triac dimming is standard; 0-10V is optional
- Minimum Ambient -20°C, Maximum Ambient is 40°C
- Power Factor: > 0.9 at full load
- Total Harmonic Distortion: < 20% at full load

### DIMENSION

4" Round Triac and 0-10V Dimming



### PERFORMANCE

CRI

90

CCT SELECTABLE

2700K, 3000K, 3500K, 4000K, 5000K

Dimming

Triac dimming is standard;  
0-10V is optional

Projected Lifetime

L70 - 50,000 Hours

Working Temperature

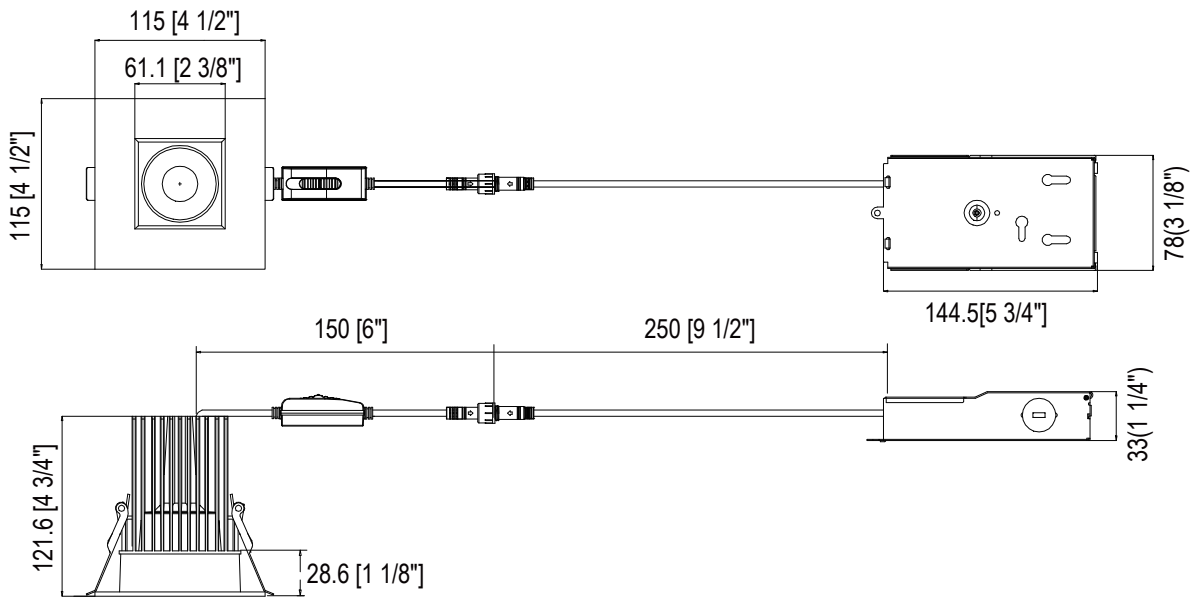
-4-104°F (-20-40°C)

Certifications

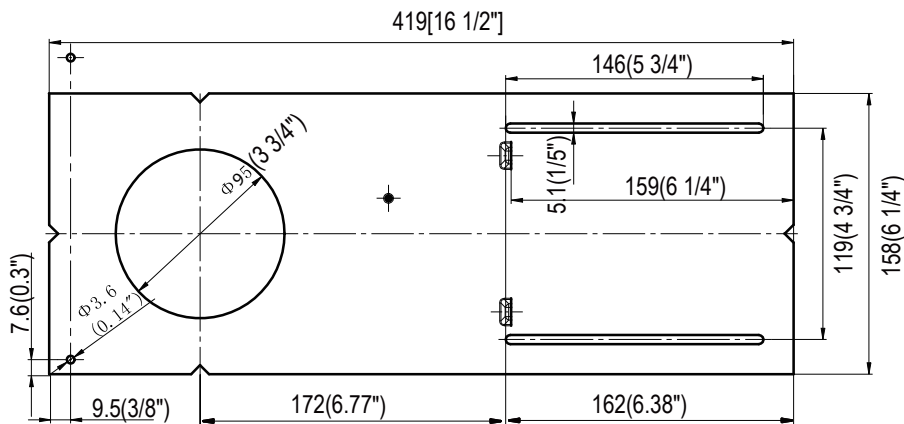
- cETLus conforms to UL Std. 1598 Cert. to CSA Std. C22.2 No.250.0
- Suitable for wet locations
- IP54 rated
- 1500lm is IC rated  
2000lm is Non-IC rated
- RoHs compliant
- Warranty 5 years



**4" Square Triac and 0-10V Dimming**



**Rough In Plate (Unit:mm)**



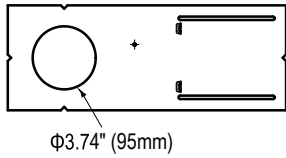
**Ordering Information**

**PORLA DOWNLIGHT MODULE**

Example for downlight module: **POR04-DLR-15LM-90-MBK**

SERIES	SIZE	DOWNLIGHT	SHAPE	LUMENS/CRI	TRIM FINISH	DRIVER
POR	04- 4"	DL - Downlight	R - Round S - Square	15LM-90 - 1500lm/90CRI 20LM-90 - 2000lm/90CRI	MWH - Matte White MBK - Matte Black	POR04-18W-4 - 1500lm Triac Dimmable Driver POR04-18W-1 - 1500lm 0-10V Dimmable Driver POR04-25W-4 - 2000lm Triac Dimmable Driver POR04-25W-1 - 2000lm 0-10V Dimmable Driver

**ROUGH-IN PLATE**



**POR04-RIP-N**  
Rough-in plate

**FT6 EXTENSION CABLE**



FT6 Extension Cable (2pin)

**POR-EXC6-FT6**  
6 feet 2pin cable

**POR-EXC10-FT6**  
10 feet 2pin cable

**POR-EXC20-FT6**  
20 feet 2pin cable

**Notice:**

- \* 2700K, 3000K, 3500K, 4000K, 5000K selectable. 3000K is default setting.
- \* Custom finish color is available for trim and additional charge will apply for custom finish.

**PERFORMANCE DATA**

**LUMEN OUTPUT**

Lumen values are measured by third party certified laboratories performed in accordance with IESNA LM-79-08 as well as Lighting Facts listed.

Size	4 Inch	
Wattage	18W	25W
Lumen	1500lm@3000K	2000lm@3000K
CCT	2700K/3000K/3500K/4000K/5000K Selectable	
Beam Angle	38 degree	
CRI	90	
Dimming	Triac or 0-10V dimming	
Cut Out	$\Phi 3.74''$ (95mm)	

**Lumen Multiplier**

2700K	0.95
3000K	1
3500K	1.02
4000K	1.07
5000K	1.07

**Warranty**

Five year limited warranty.

**Note:**

Specifications subject to change without notice.