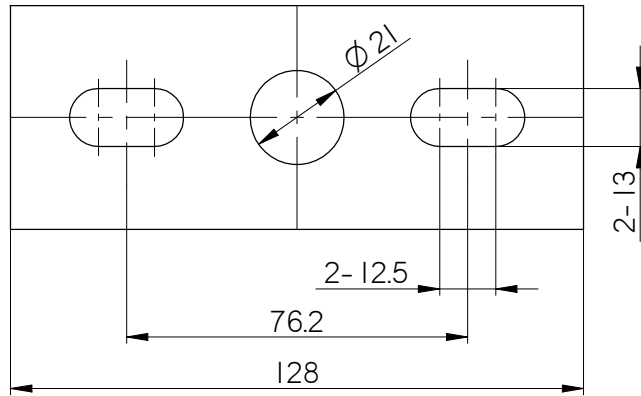
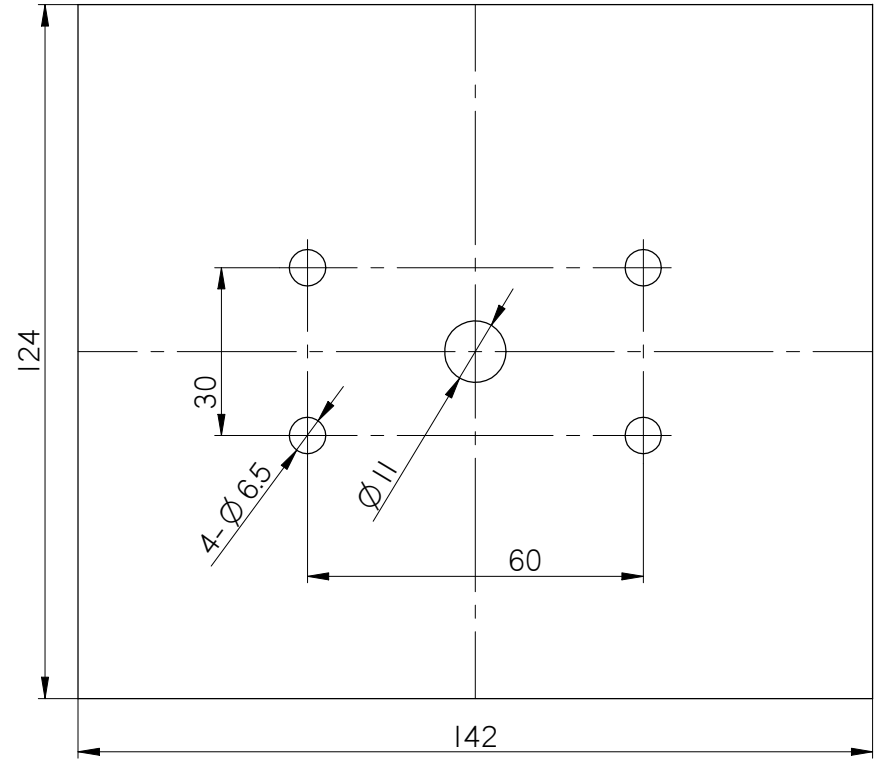


**Pole mount  
Drill Pattern for SMT**



**Trunion mount  
Drill Pattern for SMT**



**Wall mount  
Drill Pattern for SMT**