

HEAVENLY LINEAR HIGH BAY



PRODUCT DESCRIPTION

The HEAVENLY Linear High Bay is an attractive, durable and high efficient solution for a variety of industrial and commercial applications. The extruded aluminum construction enables optimal thermal control and longer system life in cin high temperature environments as high as 150°F (65°C) ambient temperature. Wattstopper sensor and Enlighted intelligent control systems allow for precise light positioning putting he light exactly where you need it.

FEATURE

- Textured lens options minimizes high glare
- Achieves 150 °F (65 °C) ambient rating
- Performs at up to 180 lm/W
- Wattstopper sensor option available
- Enlighted sensor option available.
- 10kV surge suppression protection optional
- Fixture with polycarbonate lens is IK10 rated

ELECTRICAL SYSTEM

- Input Voltage: 120-277V, 347/480V
- 50/60Hz
- 0-10V dimming
- Power Factor: > 0.98 at 120Vac
- Total Harmonic Distortion: < 20%
- Integral 6kV surge suppression protection standard
- Minimum Ambient -20°C, maximum Ambient is 65°C

PERFORMANCE

CRI

80

CCT

3000K、 3500K、 4000K、 5000K

Dimming

0-10V Dimming Standard

Projected Lifetime

L70 - 144,000 Hours

Working Temperature

-4-150°F (-20-65°C)

Certifications

- cETLus
- Damp location
- DLC Premium*
- RoHS compliant

* DLC is only for 2ft.

SPECIFICATION

2FT HLHB

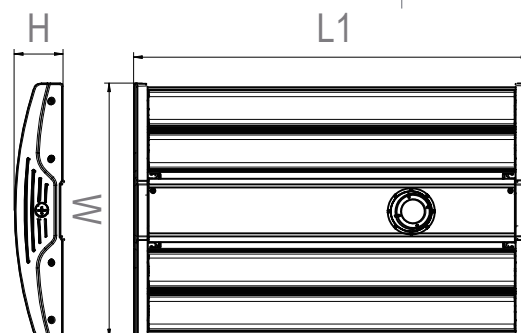
L1: 24.33"
W: 16.25"
H: 3.15"

3FT HLHB

L1: 34.0"
W: 16.25"
H: 3.15"

4FT HLHB

L1: 45.43"
W: 16.25"
H: 3.15"



Ordering Information

Example: HLHB02-175501-G

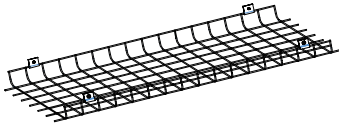
Series	Length	Watts	CCT	Voltage	Controls	Distribution	Lens		
HLHB	02 - 2FT	65 - 65 Watts	30-3000K	1 - 120V-277V	Blank - None	G - General ⁴	Ordered and shipped separately ⁵		
		95 - 100 Watts	35-3500K	6 - 347/480V	MS-L7W - Wattstopper Sensor with White L7 Lens ¹		PCL - Polycarbonate ClearLens ⁶		
		135 - 135 Watts	40-4000K				PFL - Polycarbonate Frosted Lens		
		175 - 175 Watts	50-5000K		EBU - Emergency Battery Backup ²		AFL - Acrylic Frosted Len		
	03 - 3FT	220 - 210 Watts			MOD3 -Enlighted 0-10V ³			ACL - Acrylic Clear Lens	
		270 - 270 Watts							
		350 - 350 Watts			SRP - Bluetooth sensor receptacle ⁷				
		420 - 420Watts							
	04 - 4FT	220 - 210 Watts						N - Narrow ⁴	PCL - Polycarbonate ClearLens
		270 - 270 Watts							
		350 - 350 Watts							
		420 - 420Watts							

Notice:

- Dimming default setting is Bi-Level dim, 30% on vacancy and 100% on Occupancy. Daylight sensor is disabled by default. Bi-Level dimming levels, occupancy and daylight sensor settings are field programming.
- Emergency battery backup is available in 16W with 2800lm and works for a minimum of ninety (90) minutes. At ambient temperatures of 32°F-104°F(0°C-40°C). The emergency test button is pre-installed on fixture. The EBU is Title 20 compliant. Emergency battery backup is not available for 3ft.
- Enlighted control is only for 120-277V and may have require an extended lead time. Luminaire will be shipped with sensor installed on the luminaire, allowing for individual luminaire control. Luminaires will be ready to be integrated an Enlighted Control System. Please note that a Gateway and associated software program needs to be purchased separately.
- General distribution is standard. Narrow distribution is available but has MOQ requirement, please contact Customer Service if needed. Different lens for General distribution need to be ordered separately and field installed. Narrow Distribution only has PCL which will be installed on the fixture in factory.
- Lens for general distribution are ordered and shipped separately. Please refer to the accessory table for details.
- Polycarbonate clear lens is standard. For polycarbonate frosted lens, acrylic clear and frosted lens, please contact customer service for lead time.
- The Bluetooth PIR sensor need to be ordered separately and field installed. It is suitable for a max mounting height of 40ft Max.

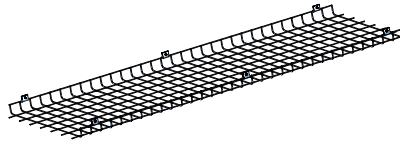
* White end cap and aluminum finish body is standard. Custom color is available at an additional cost. Consult customer service for additional information

Accessories (Ordered separately)



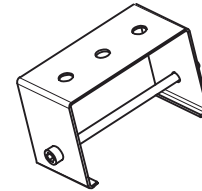
90205

HLHB02-WG
Wire guard for 2ft heavenly
linear high bay



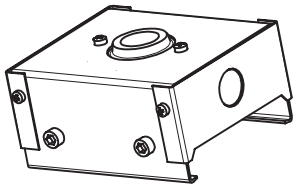
90206

HLHB04-WG
Wire guard for 4ft heavenly
linear high bay



90207

HLHB-CMK (a pair)
Channel mounting kits for
heavenly linear high bay



90208

HLHB-PMK
Pendant mounting kits for
heavenly linear high bay



N/A

V-clip pair
A pair of V-clips for heavenly
linear high bay
Notices: V-clip mounting kits is standard and
shipped together. All the other Accessories
need to be ordered separately



Picture is for Twist Lock Plug

90097

L5-15P 125V 15A Straight Plug
10ft white (18AWGx3)

90098

L7-15P 277V 15A Twist Lock Plug
10ft white (18AWGx3)

90582

L24-20P 347V 20A Twist Lock Plug
10ft white (18AWGx3)

90583

L6-15P 250V 15A Twist Lock Plug
10ft white (18AWGx3)

91033

L8-20P 480V 20A Twist Lock Plug
10ft white (18AWGx3)



90308

AC10-HK-300YF
Gripple Aircraft cable 10' with
lock and hook, Y-fit (**one piece**)



BMS-L106-PIR-DC-BLE-KL-AUX

Bluetooth PIR Motion Sensor

Notices:

1. Please order two pieces for one fixture.
2. Please check a separate manual for details of Gripple Aircraft Cable.



90252

HLHB04-G-PFL

4 pieces of polycarbonate frosted lens for 4ft HLHB, general distribution

90255

HLHB04-G-PCL

4 pieces of polycarbonate clear lens for 4ft HLHB, general distribution

90256

HLHB04-G-AFL

4 pieces of acrylic frosted lens for 4ft HLHB, general distribution

90257

HLHB04-G-ACL

4 pieces of acrylic clear lens for 4ft HLHB, general distribution



HLHB03-G-PFL

4 pieces of polycarbonate frosted lens for 3ft HLHB, general distribution

HLHB03-G-PCL

4 pieces of polycarbonate clear lens for 3ft HLHB, general distribution

HLHB03-G-AFL

4 pieces of acrylic frosted lens for 3ft HLHB, general distribution

HLHB03-G-ACL

4 pieces of acrylic clear lens for 3ft HLHB, general distribution



90258

HLHB02-G-PFL

4 pieces of polycarbonate frosted lens for 2ft HLHB, general distribution

90259

HLHB02-G-PCL

4 pieces of polycarbonate clear lens for 2ft HLHB, general distribution

90260

HLHB02-G-AFL

4 pieces of acrylic frosted lens for 2ft HLHB, general distribution

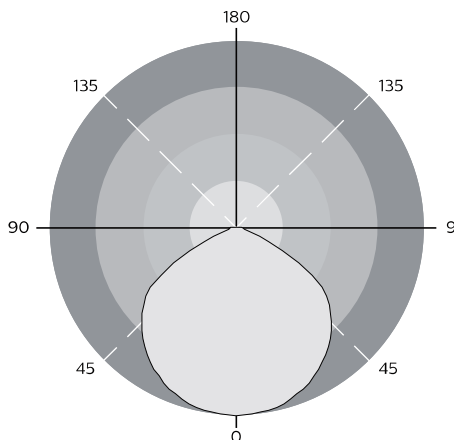
90261

HLHB02-G-ACL

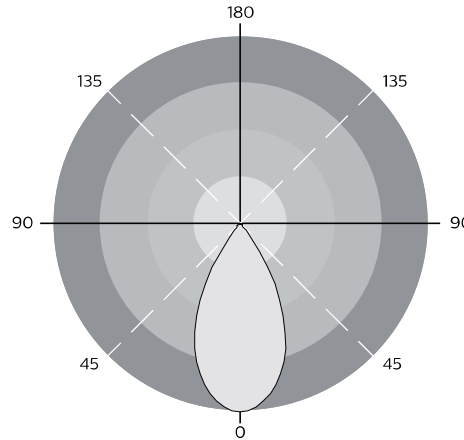
4 pieces of acrylic clear lens for 2ft HLHB, general distribution

PHOTOMETRY

Distribution types for reference only.



General



Narrow

PERFORMANCE DATA

LUMEN OUTPUT

Lumen values are measured by third party certified laboratories performed in accordance with IESNA LM-79-08. Lumen efficacy is based on ambient temperature of 77°F.

Without Lens

Series	Nominal Watts	Measured Watts	Lumen	CCT, Ra	Distribution	Lens	Efficacy	Maximum Ambient
	65	65	11400	5000, 80	General	None	175	150 °F (65 °C)
2FT	95	100	17500	5000, 80	General	None	175	150 °F (65 °C)
HLHB	135	135	23600	5000, 80	General	None	175	150 °F (65 °C)
	175	175	31500	5000, 80	General	None	180	150 °F (65 °C)
	220	210	37800	5000, 80	General	None	180	140 °F (60 °C)
3FT	220	210	37800	5000, 80	General	None	180	140 °F (60 °C)
HLHB	270	270	47300	5000, 80	General	None	175	140 °F (60 °C)
	350	350	61250	5000, 80	General	None	175	131 °F (55 °C)
	420	420	73500	5000, 80	General	None	175	113 °F (45 °C)
4FT	220	210	37800	5000, 80	General	None	180	150 °F (65 °C)
HLHB	270	270	47300	5000, 80	General	None	175	150 °F (65 °C)
	350	350	63000	5000, 80	General	None	180	150 °F (65 °C)
	420	420	75600	5000, 80	General	None	180	150 °F (65 °C)

Lens	Lumen Multiplier
None	1
Clear Polycarbonate (PCL)	0.91
Acrylic Clear (ACL)	0.93
Polycarbonate Frosted (PFL)	0.88
Acrylic Frosted (AFL)	0.89

With Polycarbonate Clear Lens

Series	Nominal Watts	Measured Watts	Lumen	CCT, Ra	Distribution	Lens	Efficacy	Maximum Ambient
	65	65	10340	5000, 80	General	PCL	159	150 °F (65 °C)
2FT	95	100	15900	5000, 80	General	PCL	159	150 °F (65 °C)
HLHB	135	135	21470	5000, 80	General	PCL	159	150 °F (65 °C)
	175	175	28700	5000, 80	General	PCL	164	150 °F (65 °C)
	220	210	34440	5000, 80	General	PCL	164	140 °F (60 °C)
3FT	220	210	34440	5000, 80	General	PCL	164	140 °F (60 °C)
HLHB	270	270	42930	5000, 80	General	PCL	159	140 °F (60 °C)
	350	350	55650	5000, 80	General	PCL	159	131 °F (55 °C)
	420	420	66780	5000, 80	General	PCL	159	113 °F (45 °C)
4FT	220	210	34440	5000, 80	General	PCL	164	150 °F (65 °C)
HLHB	270	270	42930	5000, 80	General	PCL	159	150 °F (65 °C)
	350	350	57400	5000, 80	General	PCL	164	150 °F (65 °C)
	420	420	68880	5000, 80	General	PCL	164	140 °F (60 °C)

Lumen Ambient Temperature (LAT) Multipliers

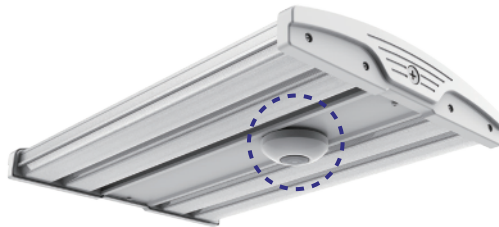
Use these factors to determine relative lumen output for average ambient temperature from -4-150°F (-20-65°C)

Ambient		Multiplier
Celsius	Fahrenheit	
0	32	1.02
25	77	1.00
40	104	0.98
50	122	0.97
60	140	0.95
65	150	0.94

Projected LED Lumen Maintenance

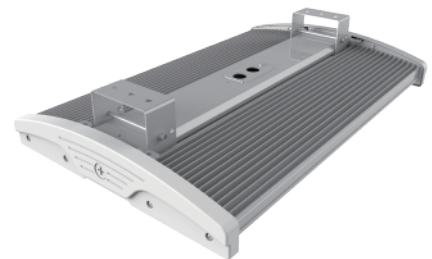
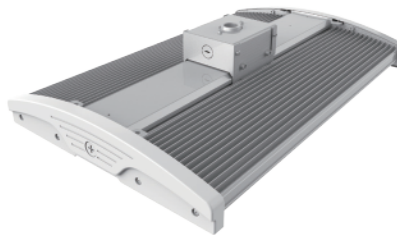
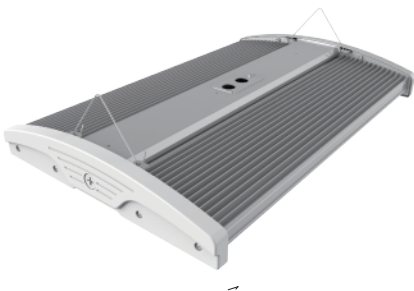
Data references the extrapolated performance projections for the Heavenly Linear High Bay in a 77°F ambient, (tested per IESNA LM-80-08 and projected per IESNA TM-21-11).

Operating Hours	10,000H	18,000H	35,000H	144,000H
Lumen Maintenance Factor	0.98(L98)	0.96(L96)	0.92(L92)	0.70(L70)



- **Wattstopper**
Multi-level Motion Sensor
- **Bluetooth**
Wireless PIR sensor

- **Enlighted** Sensor



- **V Hook** Mounting

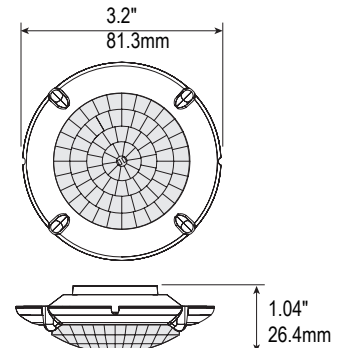
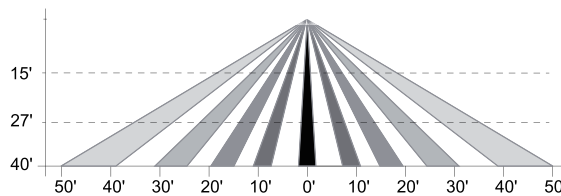
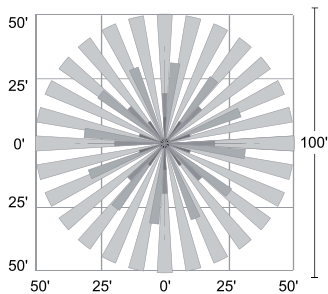
- **Pendant** Mounting

- **Channel** Mounting

MULTI-LEVEL MOTION SENSOR (MS-L7W)

The fixture with occupancy sensor raises or lowers the electric lighting level to high, low or off based on motion and/or daylight contribution. Typically, once the sensor stops detecting movement and the time delay elapses, lights will first fade to low mode, and eventually switch off. When motion is detected, the sensor ramps the light level to high mode unless the daylight contribution is sufficient. The integral photocell can also switch the lights on and off for dusk to dawn control, so that lighting remains on overnight even without motion detection.

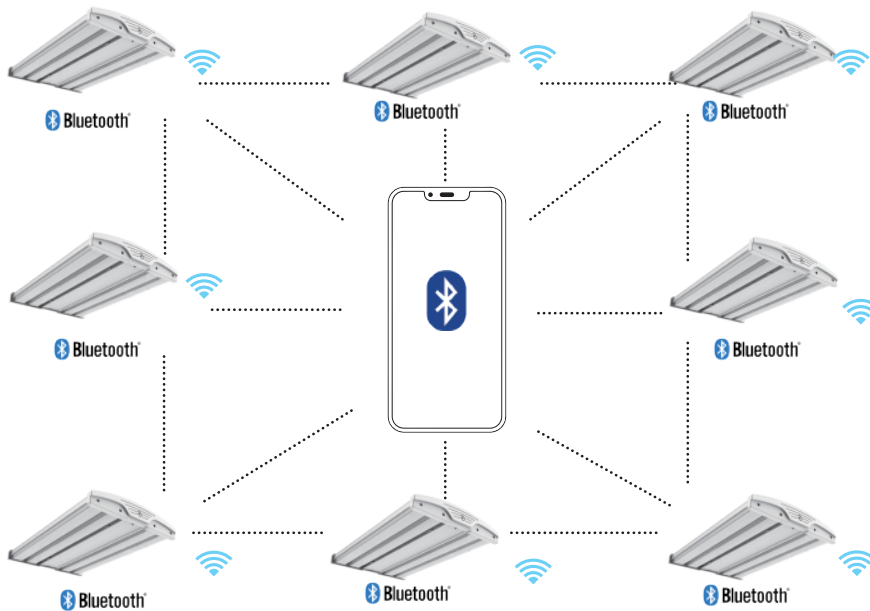
The L7 lens provides maximum coverage of 100 feet diameter mounted at 40 feet height. Please see below drawing for lens side and top coverage and dimensionn.



L7 Lens

BLUETOOTH PIR MOTION SENSOR

Model No.	Description
BMS-L106-PIR-DC-BLE-KL-AUX	Wireless Bluetooth PIR occupancy sensor with daylight harvesting capability.



Wireless Switch Options



BMWS-L-D-1-3BT-BLE-KL-WH



BMWS-L-D-5BT-BLE-KL-WH

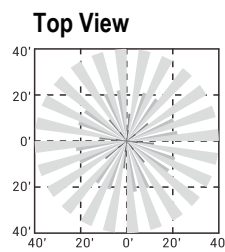
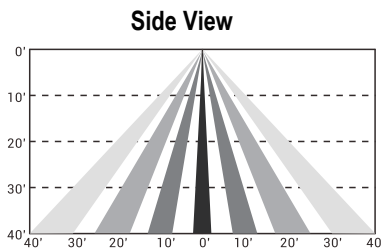


BMWS-L-D-1-7BT-BLE-KL-WH



BMWS-L-D-8BT-BLE-KL-WH

Detection Area



Height 40ft

ABOVE ALL LIGHTING APP Download



Warranty

Five year limited warranty. Full warranty terms located at www.aboveallLighting.com/warrantystatements

Specifications subject to change without notice.