



## SLEEKCAKE LED LIGHT



### PRODUCT DESCRIPTION

The SleekCake led light is with Edge-lit technology features even illumination and glare free with multiple size from 5 to 15 inches. Low profile appearance design solves the problem of limited plenum space. Ideal for Kitchens, Bathrooms, Hotels, Pools, Restaurants, Showers, Fitness Clubs, Showcases can also be used in a Night Club or on Staircases.

### FEATURE

- Simple and elegant appearance design
- Edge-lit technology, even illuminations
- 5 CCT selectable
- Compatible with various J-box
- Retrofit downlight installation
- Multiple size from 5 to 15 inches
- Triac and 0-10V Dimmable
- IC Rated

### ELECTRICAL SYSTEM

- Input Voltage: 120V, 120-277V, 50/60Hz
- Triac dimming
- Minimum Ambient -20°C, Maximum Ambient is 40°C
- Power Factor: > 0.9 at full load
- Total Harmonic Distortion: < 20% at full load

### PERFORMANCE

CRI

**80 standard**  
**90 optional**

CCT

**2700K, 3000K, 3500K, 4000K, 5000K**

Dimming

**Triac and 0-10V dimming**

Projected Lifetime

**L70 - 50,000 Hours**

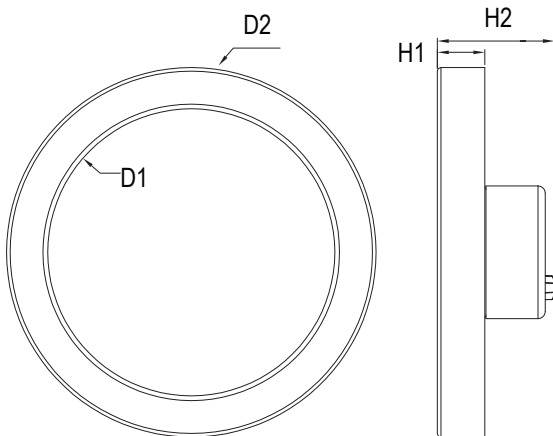
Working Temperature

**-4-104°F (-20-40°C)**

Certifications

- **cULus Listed**
- **Suitable for wet locations**
- **RoHs compliant**

### DIMENSION



Model	D1	D2	H1	H2
SKC05R	Φ4.76" (121mm)	Φ6.14" (156mm)	0.8" (20mm)	1.9" (48mm)
SKC07R	Φ5.67" (144mm)	Φ7.08" (180mm)	0.8" (20mm)	1.9" (48mm)
SKC09R	Φ7.44" (189mm)	Φ8.86" (225mm)	0.8" (20mm)	1.9" (48mm)
SKC12R	Φ10.04" (255mm)	Φ11.61" (295mm)	0.8" (20mm)	1.97" (50mm)
SKC15R	Φ11.89" (302mm)	Φ14.57" (370mm)	0.94" (24mm)	1.9" (50mm)

## Example: SKC05R-05LM-SW801-HL

Name	Size <sup>1</sup>	Shape	_ Lumens	_ CCT <sup>2</sup>	CRI <sup>3</sup>	Voltage	_ Controls	_ Finish <sup>4</sup>	_ Version
<b>SKC</b>	<b>05 - 5"</b>	<b>R - Round</b>	<b>05LM</b> - 500 Lm	<b>SW</b> - 2700/3000 /3500/4000 5000K selectable <sup>2</sup>	<b>80</b> - 80CRI <sup>3</sup>	<b>4</b> - 120V	<b>Blank</b> - None	<b>Blank</b> - White <sup>4</sup>	<b>HL</b>
			<b>06LM</b> - 650 Lm		<b>90</b> - 90CRI <sup>3</sup>				
	<b>07 - 7"</b>		<b>06LM</b> - 650 Lm						
			<b>09LM</b> - 950 Lm						
			<b>11LM</b> - 1100 Lm						
	<b>09 - 9"</b>		<b>13LM</b> - 1000 Lm						
<b>12 - 12"</b>	<b>15LM</b> - 1500 Lm								
<b>15 - 15"</b>	<b>17LM</b> - 1700 Lm								

### Notice:

- 9", 12" and 15" have MOQ, please contact Customer service for more information.
- 3000K is default setting. If need other CCT please contact Customer Service in advance to change the setting in factory or change the setting in the field.
- 80CRI is standard. 90 CRI can be available for an additional fee. Please contact customer service.
- White finish is standard. Custom color is available for a premium setup fee. Consult customer service for additional information.

## PERFORMANCE DATA

Lumen values are measured by third party certified laboratories performed in accordance with IESNA LM-79-08 as well as Lighting Facts listed.

### 120V Version

Watts	Lumen Output	Size	AC Input 120V	CCT	CRI	LPW
6	570	5IN	0.05A	2700K	80	95
8	750	5IN	0.08A	2700K	80	93
9	750	7IN	0.08A	2700K	80	83
12	1000	7IN	0.10A	2700K	80	83
14	1200	7IN	0.12A	2700K	80	85
17	1400	9IN	0.14A	2700K	80	82
20	1900	12IN	0.18A	2700K	80	95
22	1900	15IN	0.21A	2700K	80	86

### 120-277V Version

Watts	Lumen Output	Size	AC Input 120V	CCT	CRI	LPW
7	550	5IN	0.06A	2700K	80	78
9	650	5IN	0.08A	2700K	80	72
9	650	7IN	0.08A	2700K	80	72
12	950	7IN	0.10A	2700K	80	79
14	1100	7IN	0.12A	2700K	80	78
17	1300	9IN	0.14A	2700K	80	76
21	1500	12IN	0.18A	2700K	80	71
25	1700	15IN	0.21A	2700K	80	68

### Lumen Multiplier

2700K	1
3000K	1.04
3500K	1.08
4000K	1.12
5000K	1.16

## Warranty

Five year limited warranty.