



MONT IN-GROUND LINEAR



PRODUCT DESCRIPTION

The Mont In-ground linear series can be used as floodlight or wallwash fixtures and as illuminated signs or patterns. Housing and the water-proof end-covers are both made of anodized aluminium, the sealed unit has an IP67 rating. Pre-install external housing is made of die-cast aluminium alloy. Top lens is made of 10mm thick tempered glass whereas the door trim is precisely machined with stainless steel left in its natural finish. With multiple beam angle options and 15° tilt, ideally suited for burial installations in concrete and lawns for wall wash and lighting of ground mounted signs and linear objects.

FEATURES

- Multiple beam angle options
- Aluminium housing sealed with IP67 rating
- Stainless steel cover frame
- 10mm thick tempered glass
- Heavier powder coating optional for marine ambient corrosion resistance
- 500KG drive over at 30KM/Hr

ELECTRICAL SYSTEM

- Input voltage: 120-277V,50/60Hz
- Power Factor: >0.9
- Working Temperature: -4-104°F

PERFORMANCE

CRI

80

CCT

3000K/4000K
Red /Green/ Blue

Dimming

On/Off

Projected Lifetime

L70 -50,000 Hours

Working Temperature

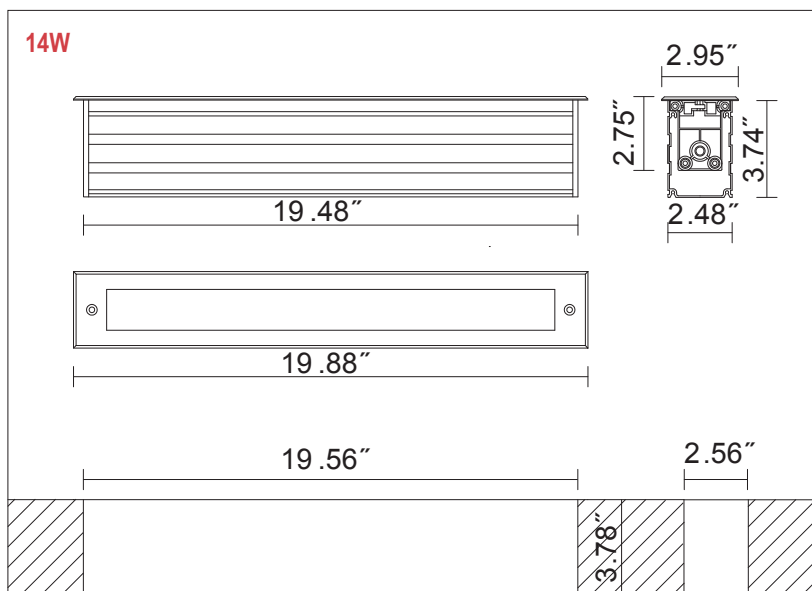
-4 - 104°F (-20 - 40°C)

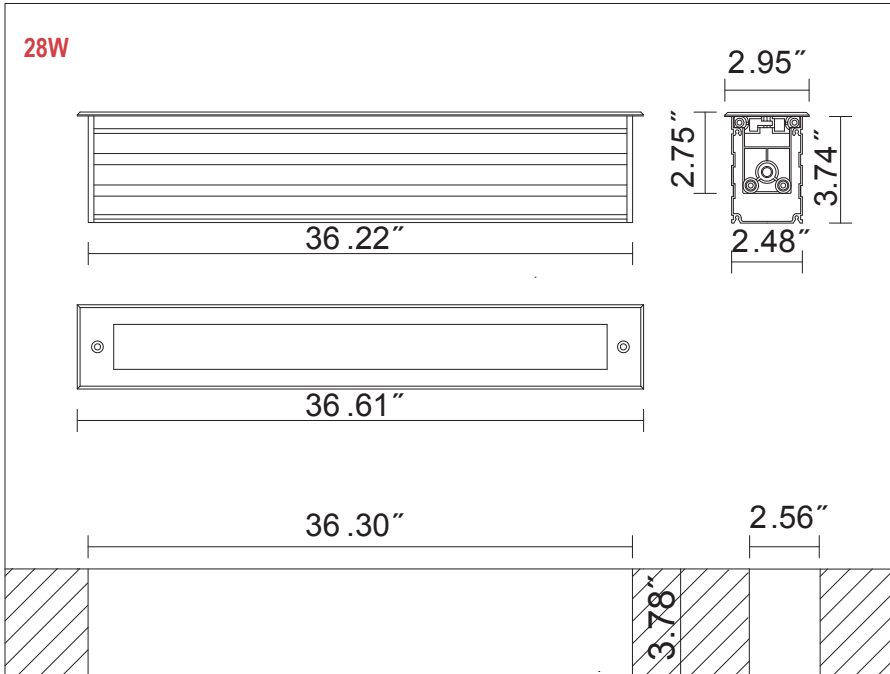
Certifications

- cETL listed
- Suitable for wet locations
- RoHs compliant
- IP67 rated*

* The installation and wiring connection can't be in a pool or area with water long time. The mounting box must be at a same level with ground.

SPECIFICATION



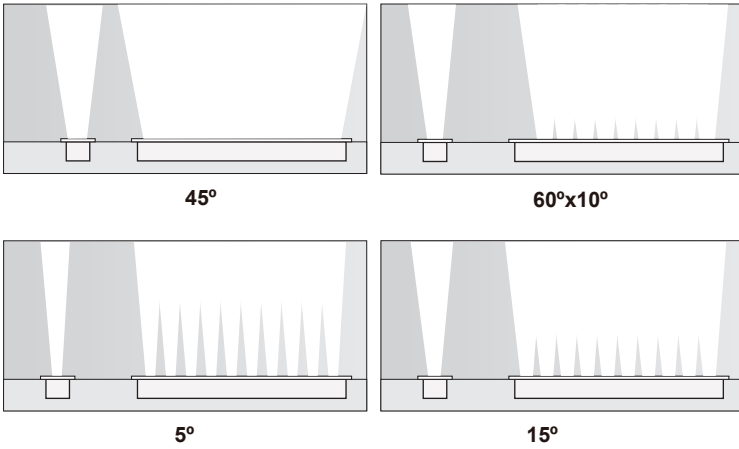


Ordering Information

Example: MONT-14301-25-316

Model	- Watts	CCT and color	Voltage	- Beaming Angle	Cover Frame	-Option
MONT	14 - 14W	30 - 3000K	1 -120-277V	5 -5°	316 - 316 Stainless steel	Blank - None
	28 - 28W	40 - 4000K		15 -15°		M- Marine ambient corrosion resistance
		R - Red		25 -25°		D- 0-10V Dimming
		G - Green		45 -45°		SRL- Slip-resistant lens
		B - Blue		60 -60°		
		60x10 -60°x10°				

Beam Patterns



PERFORMANCE DATA

LUMEN OUTPUT

Lumen values are measured by third party certified laboratories performed in accordance with IESNA LM-79-08 as well as Lighting Facts listed.

Watts	Lumen Output	Beam Angle	CCT	LPW
14	1170	5°	3000K	84
14	1140	15°	3000K	81
14	1130	25°	3000K	80
14	1120	45°	3000K	80
14	980	60°	3000K	70
14	910	60°x10°	3000K	65

Watts	Lumen Output	Beam Angle	CCT	LPW
28	2360	5°	3000K	84
28	2320	15°	3000K	83
28	2280	25°	3000K	81
28	2300	45°	3000K	82
28	2010	60°	3000K	72
28	1530	60°x10°	3000K	55

Warranty

Two year limited warranty.

Specifications subject to change without notice.