

SUITABLE FOR MODEL



⚠ WARNING

- To reduce the risk of death, personal injury or property damage from fire, electric shock, falling parts, cuts/abrasions, and other hazards read all warnings and instructions included with and on the fixture box and all fixture labels.
- Before installing, servicing, or performing routine maintenance upon this equipment, follow these general precautions.
- Commercial installation, service and maintenance of luminaires should be performed by a qualified licensed electrician.
- For the installation: If you are unsure about the installation or maintenance of the luminaires, consult a qualified licensed electrician and check your local electrical code.
- To prevent wiring damage or abrasion, do not expose wiring to edges of sheet metal or other sharp objects.
- Do not make or alter any open holes in an enclosure of wiring or electrical components during kit installation.

⚠ WARNING

- Turn off electrical power at fuse or circuit breaker box before wiring fixture to the power supply.
- Turn off the power when you perform any maintenance.
- Verify that supply voltage is correct by comparing it with the luminaire label information.
- All wiring connections should be capped with UL approved wire connectors.

⚠ CAUTION

- Avoid direct eye exposure to the light source while it is on.
- Account for small parts and destroy packing material, as these may be hazardous to children.
- Risk of burn. Disconnect power and allow fixture to cool before changing bulb or handing fixture.

NOTICE: Green ground screw provided in proper location. Do not relocate.

NOTICE: Minimum 90° supply conductors.

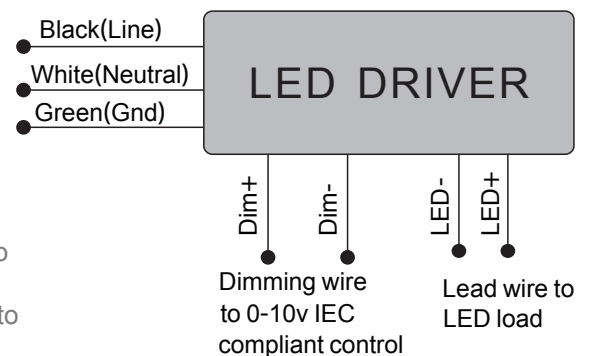
NOTICE: Specifications and dimensions subject to change without notice.

NOTICE: Suitable for Dry or Damp location.

WIRE CONNECTION

Universal voltage driver permits operation at 120V thru 277V, 50 or 60Hz

- Connect the voltage supply Line to our AC-L lead
- Connect the voltage Neutral supply to our AC-N lead
- Connect the green/yellow ground lead to the supply ground lead
- If 0-10V Dimming is used, connect the supply positive dimming lead to our 0-10V(Dim+) terminal
- If 0-10V Dimming is used, connect the supply negative dimming lead to our 0-10V(Dim-) terminal

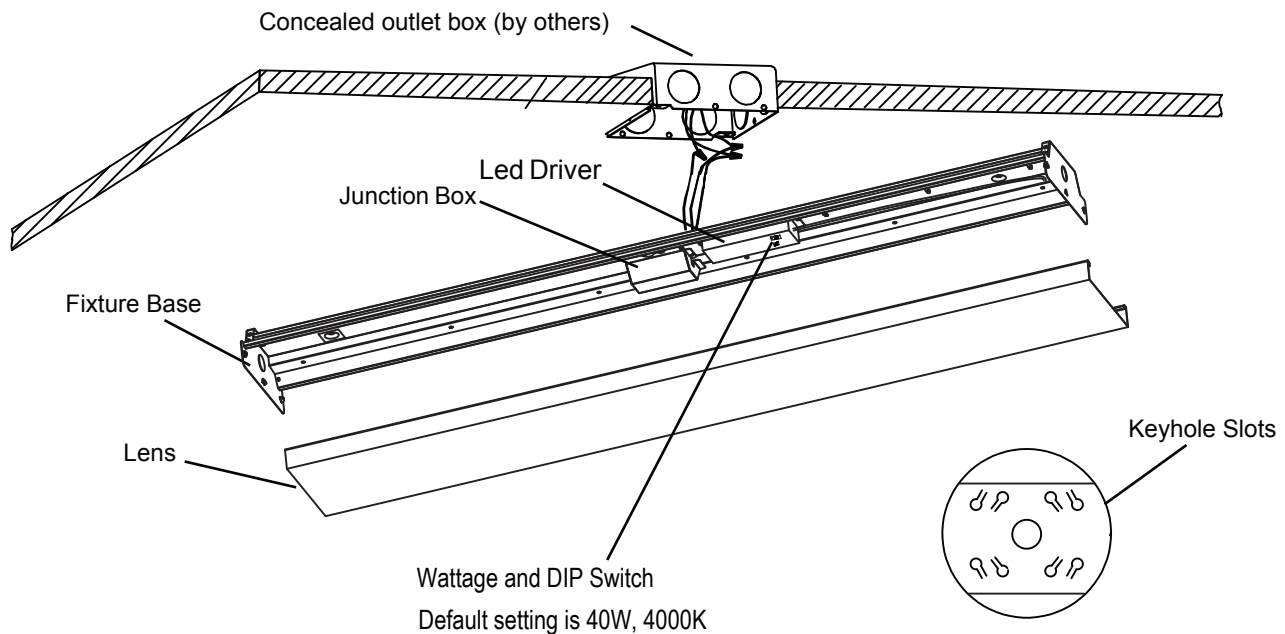


INSTALLATION

SURFACE MOUNT

1. Remove lens by pulling from one side of the fixture and hinge on the other. Remove the Junction box in the housing.
2. Make proper electrical connections (black to hot "L", white to neutral "N", ground to "GND") with wire nuts in the Concealed outlet box (by others). All wires and terminals need to be pushed into Concealed outlet box and no wires get pinched.
3. Secure Fixture Base to the Concealed Outlet Box by customer supplied anchor screws, toggle bolts or suitable fasteners with Keyhole Slots in the center of Fixture Base.
4. Binding the wires together and replace the Junction Box in the housing.
5. Adjust the wattage and the CCT with switch on the driver according to your requirement. Default setting is 40W, 4000K.
6. Carefully replace Lens into Fixture Base.

CAUTION: THE LENS CAN'T BE DAMAGED AND NEED TO BE KEPT CLEAN DURING THE INSTALLATION.



CHAIN MOUNT

1. Feed V-Clips or hook (by others) into holes of the luminaire base.
2. Attach customer supplied Chain to the V-Clips and mounting crossbeam. Make sure the luminaire is balanced.
3. Make proper electrical connections (black to hot "L", white to neutral "N", ground to "GND") with wire nuts provided in the Electrical Junction Box (by others).
4. If required, open the lens to adjust the wattage and the CCT with switch according to your requirement.
Default setting is 40W, 4000K.

