

(VRO) Vicky Ring Outward Light



PRODUCT DESCRIPTION

The Vicky Ring light is a unique ring style light with an LED light source illuminating from its outer surface. It is available in sizes ranging from 23.6"(dia.) up to 59"(dia.) . Aluminum body construction. Central canopy suspension is standard, with direct suspension and surface mounted as options.

FEATURE

- Fixtures in diameters from 23.6" through 59.1"
- Available in standard light and acoustic w/light
- Illuminating from the outer surface
- Pendant and surface mounted
-

ELECTRICAL SYSTEM

- Input Voltage: 120-277V, 50/60Hz
- 0-10V Dimming standard
- Minimum Ambient -20°C, Maximum Ambient is 40°C
- Power Factor: > 0.9 at full load
- Total Harmonic Distortion: < 20% at full load

PERFORMANCE

CRI

90

CCT

3000K, 3500K, 4000K, 5000K

Dimming

0-10V Dimming Standard

Projected Lifetime

L70 - 100,000 Hours

Working Temperature

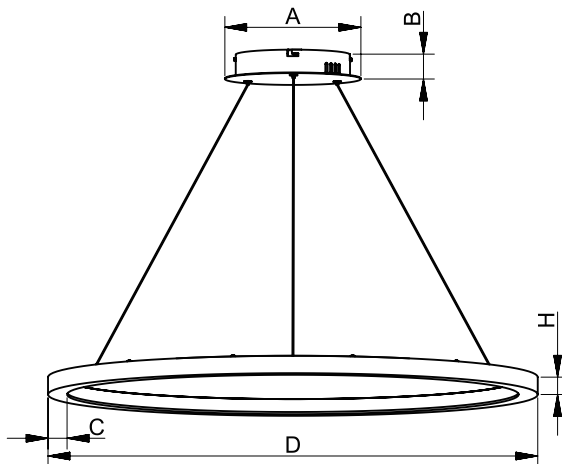
-4-104°F (-20-40°C)

Certifications

- cETLus conforms to UL Std. 1598
Cert. to CSA Std. G22.2 No.250.0
- Suitable for dry locations
- RoHs compliant

SPECIFICATION

Cable and wire cord length: 59" (1.5m)



DIMENSION					
D	H	C	A	B	Wattage
23.6"(600mm)	1.3"(32mm)	1.4"(35mm)	10.0"(250mm)	1.38"(35mm)	32W
35.4"(900mm)	1.3"(32mm)	1.4"(35mm)	10.0"(250mm)	1.38"(35mm)	40W
47.2"(1200mm)	1.3"(32mm)	1.4"(35mm)	10.0"(250mm)	1.38"(35mm)	70W
59.1"(1500mm)	1.3"(32mm)	1.4"(35mm)	10.0"(250mm)	1.38"(35mm)	80W

Ordering Information

Example: VR O / 3624 40 90 1 ACPMK / WH

1 2 3 4 5 6 7 8 9 10

1. Series

VR - Vicky Ring

6. CRI

90 - 90Ra

2. Light Emitting

O - Outward Light

7. Voltage

1 - 120-277V

3. Acoustic Configuration

Blank- Light without Acoustic LA - Light with Acoustic

8. Installation

ACPMK - Aircraft Cable Pendant Mount Kits SMK - Surface Mount Kits

* If choose Acoustic, please choose the acoustic color in the following list. Acoustic is not available for 80W/φ59.1".

9. Controls

Blank - None

4. Watts/Diameter

3624 - 32W/φ23.6" 7047 - 70W/φ47.2"
 4035 - 40W/φ35.4" 8059 - 80W/φ59.1"

10. Frame Finish

WH - White

* Acoustic is not available for 80W/φ59.1".

*White finish frame is standard. Other finish colors are available for a premium setup fee. Consult customer service for additional information.

5. CCT

30 - 3000K 35 - 3500K
 40 - 4000K 50 - 5000K

11. Acoustic Color

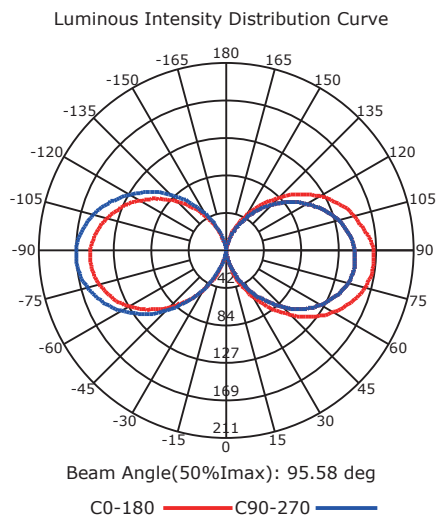


* There will be slight differences between the color of the acoustic image and the actual fabric because of computer display defects.

* The standard acoustic colors include: NSAC-021 130, NSAC-042 146, NSAC-028 110, NSAC-002 122, NSAC-033 103. Other acoustic colors might be available for an additional fee. Please check with Customer Service for more information.

PHOTOMETRY

All published luminaire photo metric testing performed to IESNA LM-79-08 standards by a NVLAP certified laboratory. IESNA LM-79-08 specifies the entire luminaire as the source resulting in a fixture efficiency of 100%. Result may vary per actual order.



PERFORMANCE DATA

LUMEN OUTPUT

Lumen values are measured by third party certified laboratories performed in accordance with IESNA LM-79-08 as well as Lighting Facts listed.

Watts	Lumen Output	AC Input 120V	CCT	CRI	LPW
32	2240	0.30A	4000K	90	70
40	2800	0.33A	4000K	90	70
70	4900	0.58A	4000K	90	70
80	5600	0.67A	4000K	90	70

Note:

1. The lumen output is for the fixture without acoustic. The data for acoustic may vary based on different acoustic fiber colors. Please contact Customer Service if need the lumen output for acoustic version.
2. The lumen outputs for 70W and 80W are calculated.

Warranty

Five year limited warranty.

Notes: Specifications subject to change without notice.