



# (VRI) Vicky Ring Inward Light Acoustic Light



## PRODUCT DESCRIPTION

The Vicky Ring light is a unique ring style light with an LED light source illuminating from its inner surface. It is available in sizes ranging from 23.6"(dia.) up to 59"(dia.) . This design features aluminum body construction and an optional acoustic system that maximizes surface area to absorb sound waves and improve harmony in the installed space, providing a perfect integration of lighting and acoustic control.

## FEATURE

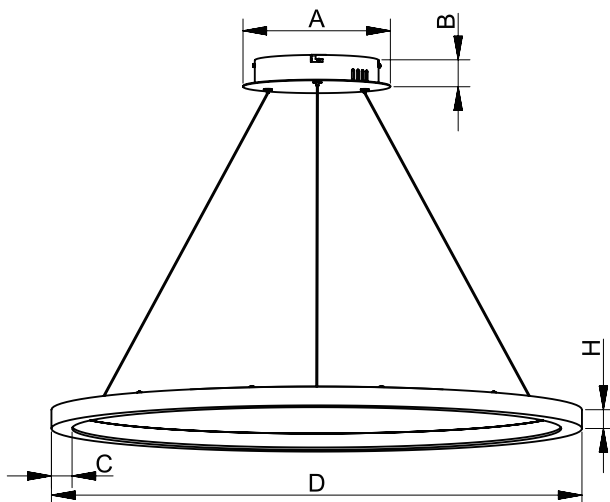
- Fixtures in diameters from 23.6" through 59.1"
- Available in standard light and acoustic w/light.
- Illuminating from the inner surface
- Pendant and surface mounted
- 30+ acoustic felt colors available

## ELECTRICAL SYSTEM

- Input Voltage: 120-277V, 50/60Hz
- 0-10V Dimming standard
- Minimum Ambient -20°C, Maximum Ambient is 40°C
- Power Factor: > 0.9 at full load
- Total Harmonic Distortion: < 20% at full load

## SPECIFICATION

Cable and wire cord length: 59" (1.5m)



## PERFORMANCE

CRI

90

CCT

3000K, 3500K, 4000K, 5000K

Dimming

0-10V Dimming Standard

Projected Lifetime

L70 - 100,000 Hours

Working Temperature

-4-104°F (-20-40°C)

Certifications

- cETLus conforms to UL Std. 1598  
Cert. to CSA Std. G22.2 No.250.0
- Suitable for dry locations
- RoHs compliant

DIMENSION					
D	H	C	A	B	Wattage
23.6"(600mm)	1.3"(32mm)	1.4"(35mm)	10.0"(250mm)	1.38"(35mm)	32W
35.4"(900mm)	1.3"(32mm)	1.4"(35mm)	10.0"(250mm)	1.38"(35mm)	40W
47.2"(1200mm)	1.3"(32mm)	1.4"(35mm)	10.0"(250mm)	1.38"(35mm)	70W
59.1"(1500mm)	1.3"(32mm)	1.4"(35mm)	10.0"(250mm)	1.38"(35mm)	80W

## Ordering Information

Example: VR I - LA - 3624 - 40 90 1 - ACPMK - / - WH - NSAC-021 130

1      2      3      4      5      6      7      8      9      10      11

### 1. Series

VR - Vicky Ring

### 6. CRI

90 - 90Ra

### 2. Light Emitting

I - Inward Light

### 7. Voltage

1 - 120-277V

### 3. Acoustic Configuration

Blank - Light without Acoustic       LA - Light with Acoustic

\* If choose Acoustic, please choose the acoustic color in the following list. Acoustic is not available for 80W/φ59.1".

### 8. Installation

ACPMK - Aircraft Cable Pendant Mount Kits       SMK - Surface Mount Kits

### 4. Watts/Diameter

3624 - 32W/φ23.6"       7047 - 70W/φ47.2"  
 4035 - 40W/φ35.4"       8059 - 80W/φ59.1"

\* Acoustic is not available for 80W/φ59.1".

### 9. Controls

Blank - None

### 10. Frame Finish

WH - White

\* White finish frame is standard. Custom colors might be available for an additional fee. Please check with Customer Service for more information.

### 5. CCT

30 - 3000K       35 - 3500K  
 40 - 4000K       50 - 5000K

## 11. Acoustic Color

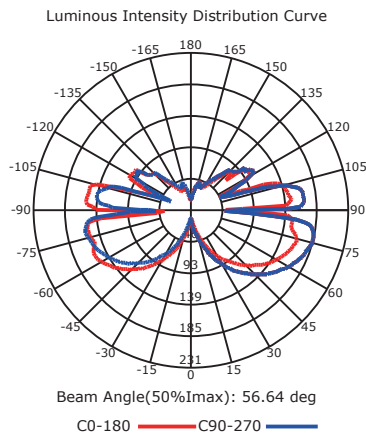


\* There will be slight differences between the color of the acoustic image and the actual fabric because of computer display defects.

\* The standard acoustic colors include: NSAC-021 130, NSAC-042 146, NSAC-028 110, NSAC-002 122, NSAC-033 103. Other acoustic colors might be available for an additional fee. Please check with Customer Service for more information.

## PHOTOMETRY

All published luminaire photo metric testing performed to IESNA LM-79-08 standards by a NVLAP certified laboratory. IESNA LM-79-08 specifies the entire luminaire as the source resulting in a fixture efficiency of 100%. Result may vary per actual order.



## PERFORMANCE DATA

### LUMEN OUTPUT

Lumen values are measured by third party certified laboratories performed in accordance with IESNA LM-79-08 as well as Lighting Facts listed.

Watts	Lumen Output	AC Input 120V	CCT	CRI	LPW
32	<b>2240</b>	0.30A	4000K	90	70
40	<b>2800</b>	0.33A	4000K	90	70
70	<b>4900</b>	0.58A	4000K	90	70
80	<b>5600</b>	0.67A	4000K	90	70

**Note:**

- The lumen output is for the fixture without acoustic. The data for acoustic may vary based on different acoustic fiber colors. Please contact Customer Service if need the lumen output for acoustic version.
- The lumen outputs for 70W and 80W are calculated.

## Warranty

Five year limited warranty.

Notes: Specifications subject to change without notice.