



# MELO CYLINDER



## DESCRIPTION

The MELO cylinder would greatly create possibilities in the whole commercial area. Multiple sizes, beam options, and high visual comfort COB LED. It is now available in pendant and surface mount configurations which offers a beautiful and architectural cylinder solutions.

## PERFORMANCE

Diameters: 4inch/6inch/8inch

Input Watts (Nominal):

25W/18W/12W for 4inch

40W/30W/20W for 6inch

58W/44W/29W for 8inch

Lumens (@3000K):

2600lm@25W

4200lm@40W

6000lm@58W

Input Voltage: 120-277V

Controls (optional): Emergency Battery Back-up



Power Factor: > 0.9 at full load

Total Harmonic Distortion: < 20% at full load

Installation: Pendant / Surface Mount

- Modular design
- COB LED chip: 80+ standard, 90+ optional
- Dimming: 0-10V(10% standard ,1% optional) or TRIAC
- Beam angle: 15°, 24°, 36°, 60° options
- Architectural form : 4", 6" and 8"
- Mounting: Pendant or surface
- Wattage Selectable

- Surface



- Modular design



White



Golden



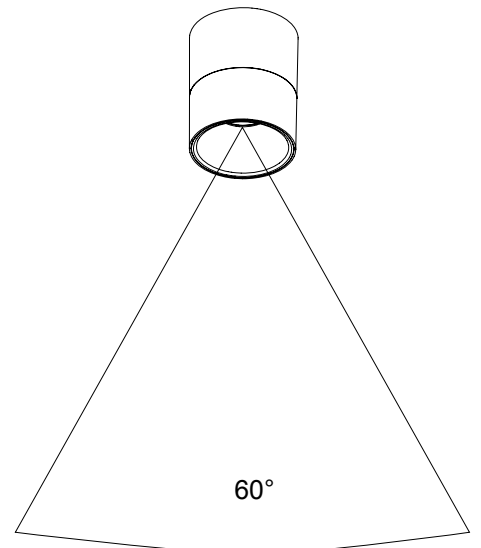
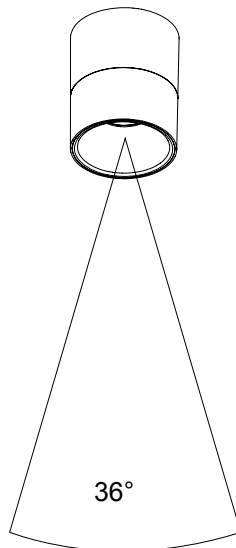
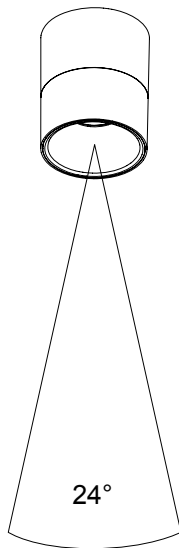
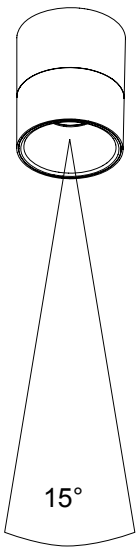
Chrome



Black



- Architectural form : 4", 6" and 8"



- Beam angle: 15°, 24°, 36°, 60° options



- Mounting: Pendant or surface

- COB LED chip: 80+ standard, 90+ optional



