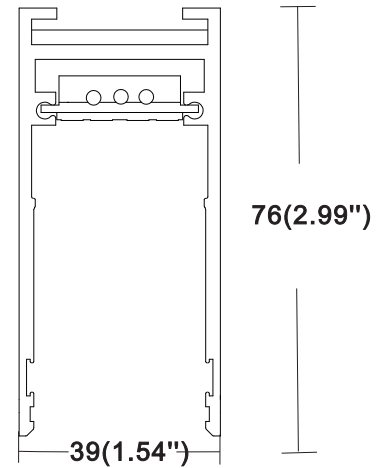
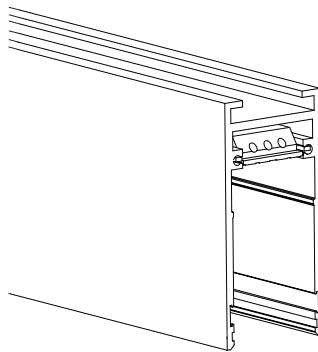


SURFACE/PENDANT/RECESSED

1M PROFILE 997mm (39.3")

2M PROFILE 1992mm (78.43")

3M PROFILE 2997mm (118")

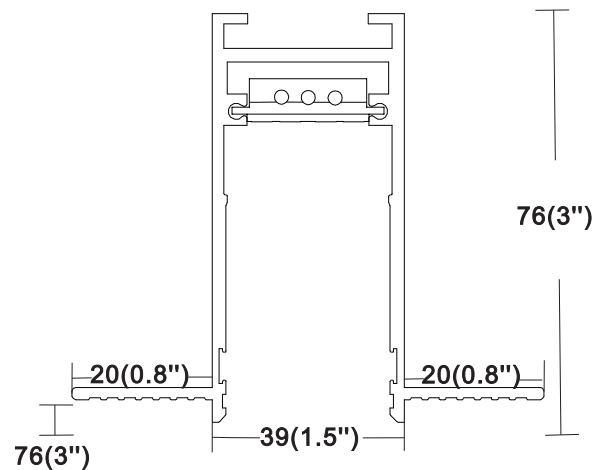
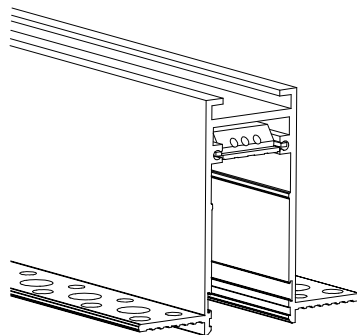


TRIMLESS RECESSED WITH FLANGE

1M PROFILE-R 997mm (39.3")

2M PROFILE-R 1992mm (78.43")

3M PROFILE-R 2997mm (118")



CONTENTS:



Surface mounted	1-2
Surface mounted with kits	2-3
Pendant mounted	4-5
Recessed mounted	6-8
Surface track connection	9
Trimless recessed flange track	10-11
Trimless recessed flange track connection	12

SURFACE/PENDANT/RECESSED TRACK

INSTALLATION INSTRUCTIONS






CAUTION:

1. BEFORE INSTALLING THE LIGHT FIXTURES, PLEASE READ THE INSTALLATION INSTRUCTIONS CAREFULLY.
2. DISCONNECT POWER AT CIRCUIT BREAKER BEFORE INSTALLATION OR SERVICING.
3. DO NOT INSTALL THE TRACK IN DAMP OR WET LOCATIONS.
4. THIS TRACK IS IP20, INDOOR USE ONLY.
5. ALL ELECTRICAL CONNECTIONS SHOULD BE DONE BY A QUALIFIED ELECTRICIAN.






SURFACE MOUNTED

INCLUDED HARDWARE






1 METER TRACK INCLUDES:

- 2 × SCREWS 
- 2 × WALL PLUGS 
- 1 × SCREWS 
- 1 × ALLEN WRENCH 
- 1 × WIRE CLIP 

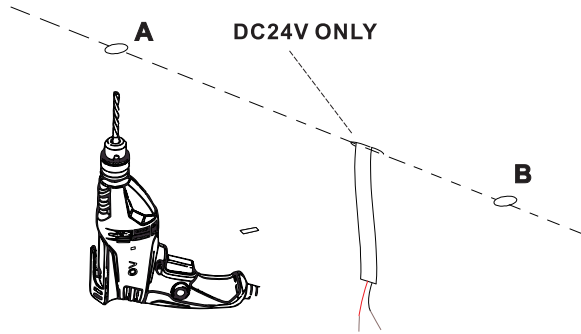
2 METER TRACK INCLUDES:

- 4 × SCREWS 
- 4 × WALL PLUGS 
- 2 × SCREWS 
- 1 × ALLEN WRENCH 
- 1 × WIRE CLIP 

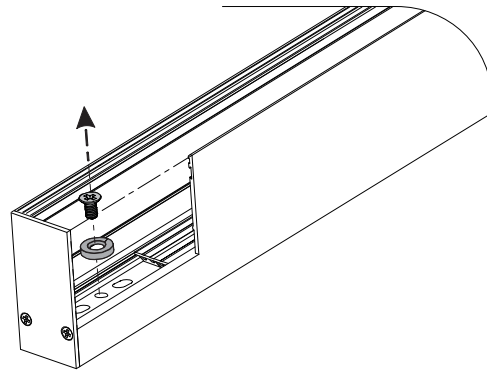
3 METER TRACK INCLUDES:

- 6 × SCREWS 
- 6 × WALL PLUGS 
- 3 × SCREWS 
- 1 × ALLEN WRENCH 
- 1 × WIRE CLIP 

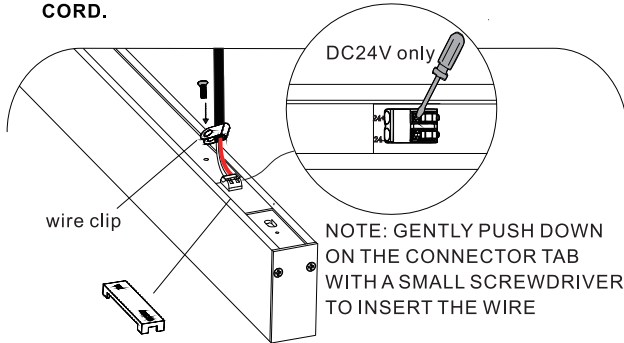
01 MARK CENTER LINE WHERE TRACK IS TO BE INSTALLED AND MAKE HOLES IN THE CEILING



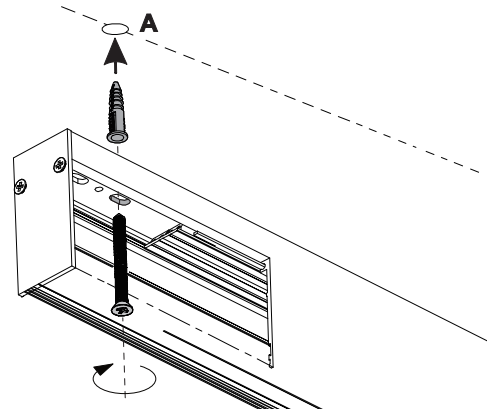
04 REMOVE MAGNET



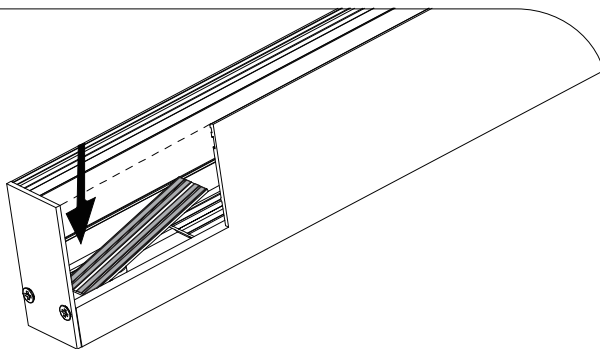
02 CONNECT 24 VOLT POWER FROM THE DRIVER TO THE TRACK, RED WIRE TO POSITIVE AND BLACK WIRE TO NEGATIVE. ATTACH THE WIRE RESTRAINT TO THE POWER CORD.



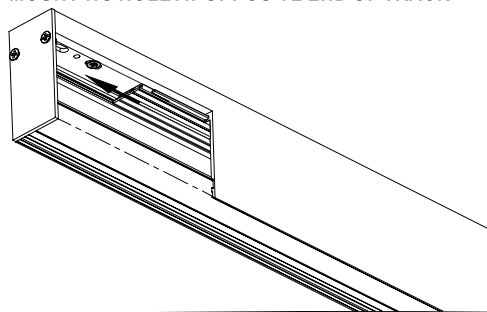
05 ATTACH ONE END OF TRACK TO CEILING



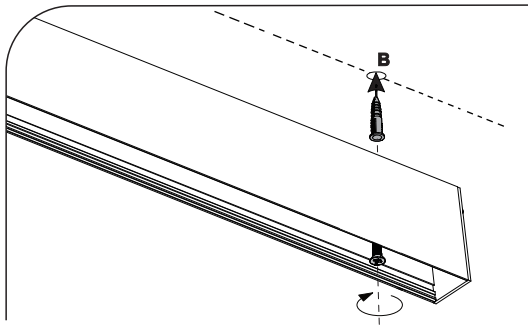
03 REMOVE DECORATIVE PLATE



06 SLIDE PCB BOARDS TO END OF TRACK TO EXPOSE MOUNTING HOLE AT OPPOSITE END OF TRACK

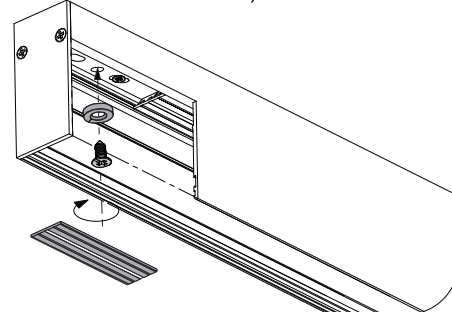


07 INSTALL DRYWALL ANCHOR AND SET SCREW TO HOLE B

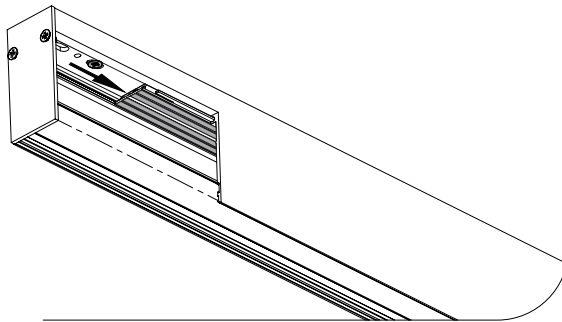


09 RE-INSTALL THE MAGNET AND DECORATIVE PLATE

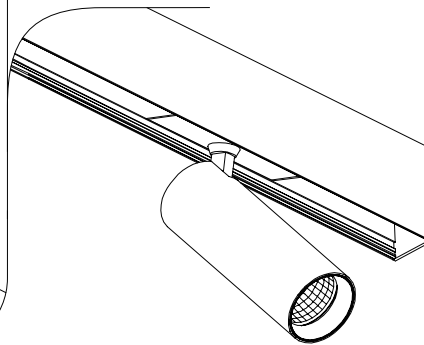
(IF TWO TRACKS CONNECTION IS NEEDED, PLEASE SEE PAGE 9.)



08 SLIDE PCB BOARDS TO END OF TRACK TO EXPOSE MOUNTING HOLE AT OPPOSITE END OF TRACK



10 INSTALL THE FIXTURE



SURFACE/PENDANT/RECESSED TRACK


SURFACE/PENDANT/RECESSED TRACK
INSTALLATION INSTRUCTIONS

CAUTION:

1. BEFORE INSTALLING THE LIGHT FIXTURES, PLEASE READ THE INSTALLATION INSTRUCTIONS CAREFULLY.
2. DISCONNECT POWER AT CIRCUIT BREAKER BEFORE INSTALLATION OR SERVICING.
3. DO NOT INSTALL THE TRACK IN DAMP OR WET LOCATIONS.
4. THIS TRACK IS IP20, INDOOR USE ONLY.
5. ALL ELECTRICAL CONNECTIONS SHOULD BE DONE BY A QUALIFIED ELECTRICIAN.

ACCESSORIES REQUIRED

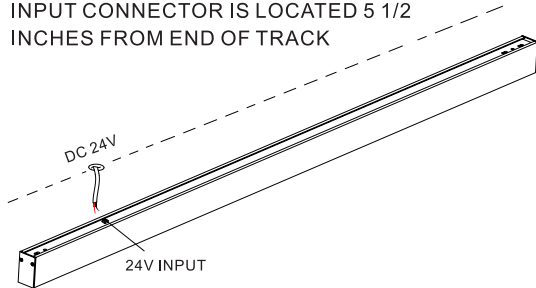
NEW SURFACE MOUNTED KIT

- 4 × NEW SURFACE KITS 
- 4 × SCREWS  4 × WALL PLUGS 
- 4 × WASHER 

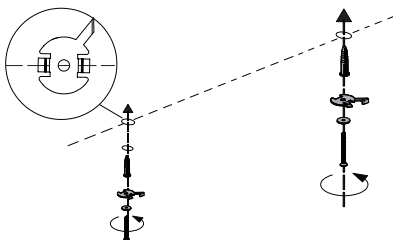
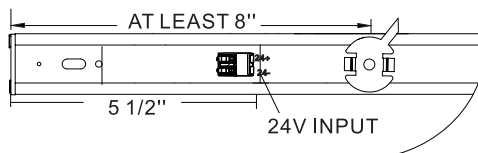
Surface mounted with kits

01 MARK CENTER LINE WHERE TRACK IS TO BE INSTALLED

NOTE: 24-VOLT POWER COMING FROM CEILING MUST ALIGN WITH THE 24-VOLT INPUT CONNECTOR ON THE TRACK. INPUT CONNECTOR IS LOCATED 5 1/2 INCHES FROM END OF TRACK

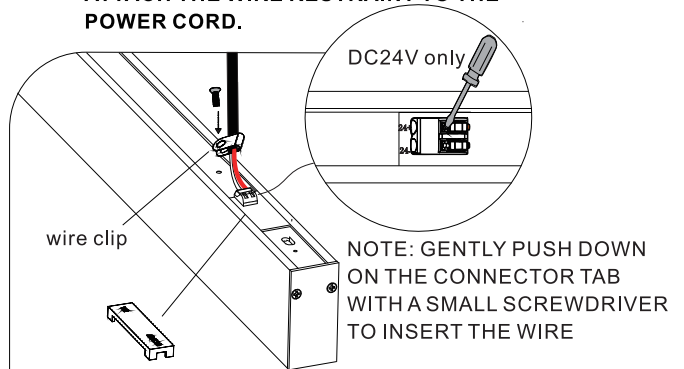


02 INSTALL SURFACE MOUNT KITS ALONG CENTER LINE BUT DO NOT OVER TIGHTEN. DO NOT INSTALL SURFACE MOUNT KITS WITHIN 8" OF THE ENDS OF THE TRACK AS THIS MAY INTERFERE WITH THE POWER ACCESS AREA AND WHERE TRACK JOINERS MAY BE USED.

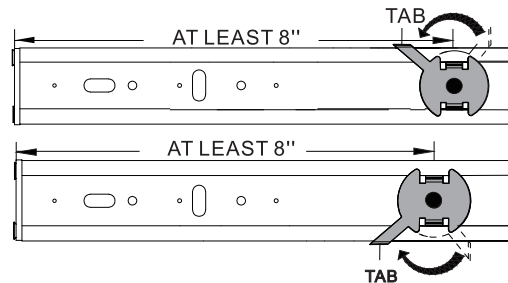


RECOMMENDED:
1 METER 2 KITS
2 METER 3 KITS
3 METER 4 KITS

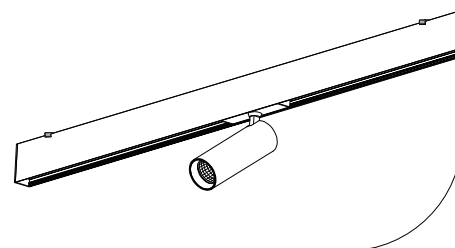
03 CONNECT 24 VOLT POWER FROM THE DRIVER TO THE 24 VOLT ON THE TRACK, RED WIRE TO POSITIVE AND BLACK WIRE TO NEGATIVE. ATTACH THE WIRE RESTRAINT TO THE POWER CORD.



04 SECURE TRACK TO CEILING BY TURNING THE SURFACE MOUNT KITS LOCKING TRACK IN PLACE (KITS CAN BE USED SO THE TABS CAN BE ON EITHER SIDE OF THE TRACK EXAMPLE ALL ONE SIDE OR ALTERNATING FROM ONE SIDE TO THE OTHER)



05 INSTALL THE FIXTURE



SURFACE/PENDANT/RECESSED TRACK
INSTALLATION INSTRUCTIONS

CAUTION:

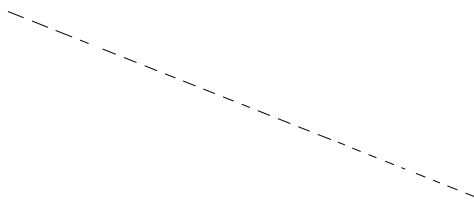
1. BEFORE INSTALLING THE LIGHT FIXTURES, PLEASE READ THE INSTALLATION INSTRUCTIONS CAREFULLY.
2. DISCONNECT POWER AT CIRCUIT BREAKER BEFORE INSTALLATION OR SERVICING.
3. DO NOT INSTALL THE TRACK IN DAMP OR WET LOCATIONS.
4. THIS TRACK IS IP20, INDOOR USE ONLY.
5. ALL ELECTRICAL CONNECTIONS SHOULD BE DONE BY A QUALIFIED ELECTRICIAN.

PENDANT MOUNTED

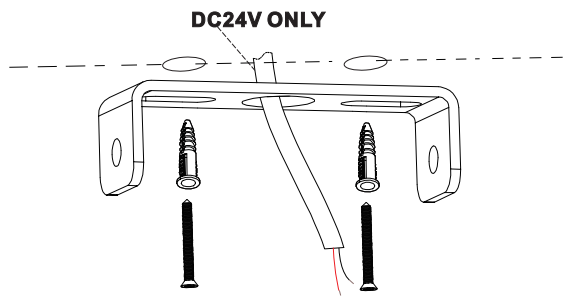
INCLUDED HARDWARE

- | | | | |
|-------------------------|--|-----------------|--|
| 1 × PENDANT POWER CABLE | | 1 × CROSS BAR | |
| 1 × ALLEN WRENCH | | 2 × LONG SCREWS | |
| 1 × WIRE CLIP | | 2 × WALL PLUGS | |
| 2 × SMALL SCREWS | | 2 × M4*8 SCREW | |
| 3 × Wire cap | | | |
- PENDANT KIT-B WHICH INCLUDES:
- | | | | |
|----------------------|--|-----------------|--|
| 1 × SUSPENSION CABLE | | 1 × CROSS BAR | |
| 1 × ALLEN WRENCH | | 2 × LONG SCREWS | |
| 1 × WIRE CLIP | | 2 × WALL PLUGS | |
| 2 × SMALL SCREWS | | 2 × M4*8 SCREW | |
- RECOMMENDED CABLE SUPPORTS: 1 METER 1 PC
2 METER 1-2 PCS
3 METER 2-3PCS

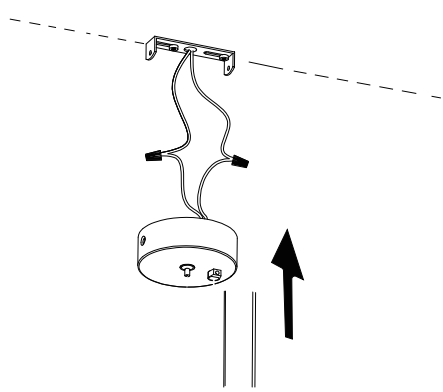
01 MARK CENTER LINE WHERE TRACK IS TO BE INSTALLED



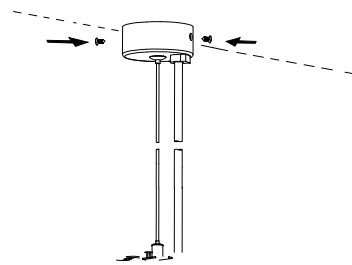
02 INSTALL CROSS BAR



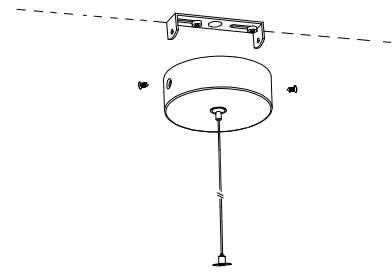
03 CONNECT THE POWER CABLE



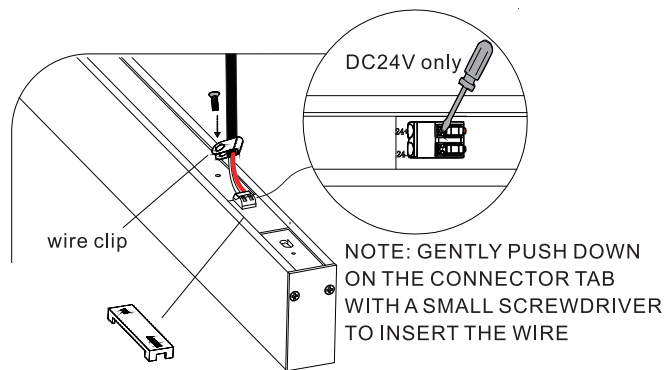
04 FIX THE CANOPY TO THE CROSS BAR



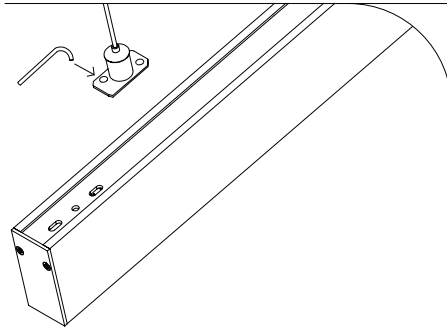
05 ATTACH ONE END OF TRACK TO CEILING



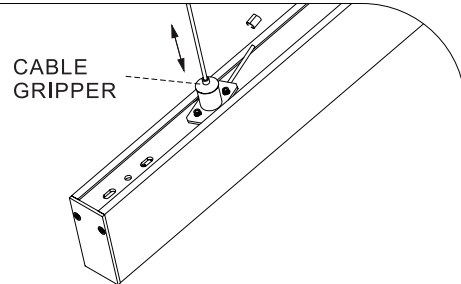
06 CONNECT 24 VOLT POWER FROM THE DRIVER TO THE 24 VOLT INPUT ON THE TRACK, RED WIRE TO POSITIVE AND BLACK WIRE TO NEGATIVE. ATTACH THE WIRE RESTRAINT TO THE POWER CORD.



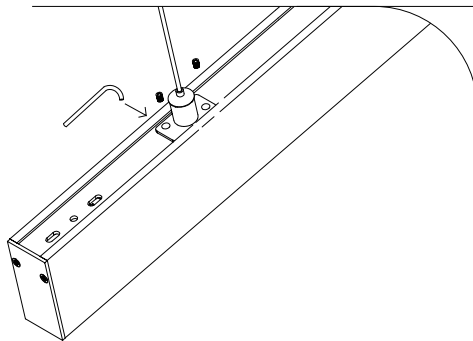
07 INSTALL SUSPENSION CABLES TO TRACK, SEE STEP 8 AND 9



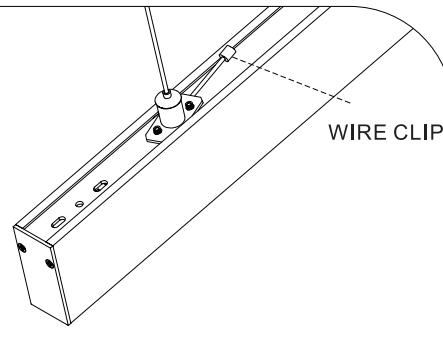
10 ADJUST SUSPENSION CABLE TO DESIRED HEIGHT BY PUSHING DOWN ON CABLE GRIPPER AND PULLING THE EXCESS CABLE. ONCE HEIGHT IS FINAL, CUT OFF EXCESS CABLE.



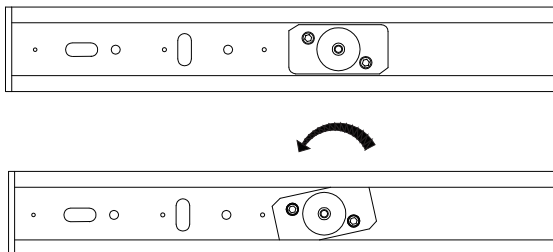
08 INSERT SET SCREWS BUT DO NOT TIGHTEN



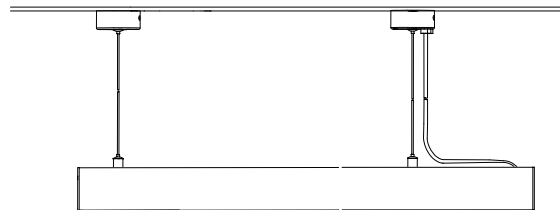
11 INSTALL THE WIRE CLIP



09 TURN CABLE CONNECTOR COUNTER-CLOCKWISE SO THE CORNERS OF THE CONNECTOR FIT UNDER THE TOP EDGES OF THE TRACK AND TIGHTEN SET SCREWS



12 FINISH INSTALLATION OF THE TRACK



SURFACE/PENDANT/RECESSED TRACK
INSTALLATION INSTRUCTIONS

CAUTION:

1. BEFORE INSTALLING THE LIGHT FIXTURES, PLEASE READ THE INSTALLATION INSTRUCTIONS CAREFULLY.
2. DISCONNECT POWER AT CIRCUIT BREAKER BEFORE INSTALLATION OR SERVICING.
3. DO NOT INSTALL THE TRACK IN DAMP OR WET LOCATIONS.
4. THIS TRACK IS IP20, INDOOR USE ONLY.
5. ALL ELECTRICAL CONNECTIONS SHOULD BE DONE BY A QUALIFIED ELECTRICIAN.

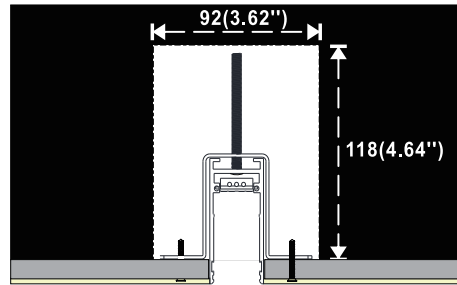
RECESSED MOUNTED

INCLUDED HARDWARE

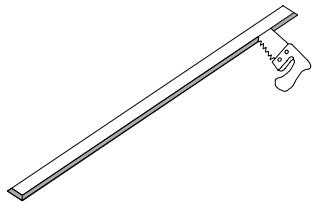
RECESSED KITS
WHICH INCLUDES: 2 × RECESSED KITS 

RECOMMENDED RECESSED KITS: 1 METER 2 PCS
2 METER 3 PCS
3 METER 4 PCS

POSITION

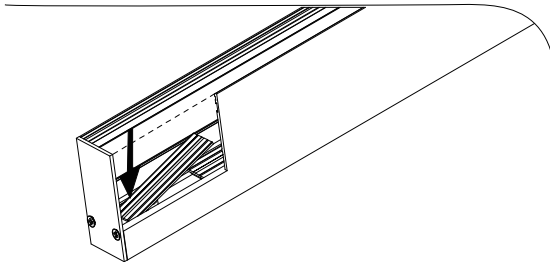


01 CUT HOLE FOR RECESSED MOUNT THE TRACK

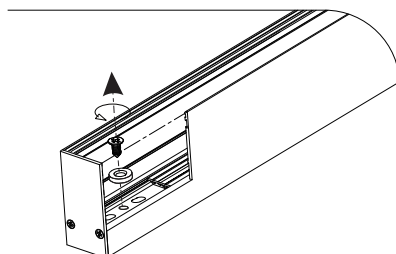


HOLE LENGTH SHOULD BE TOTAL LENGTH OF TRACK PLUS 2MM
HOLE WIDTH SHOULD BE WIDTH OF TRACK PLUS 2MM

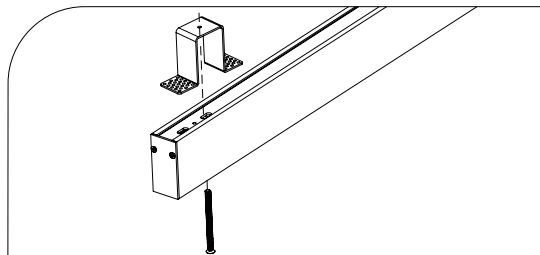
02 REMOVE DECORATIVE PLATE



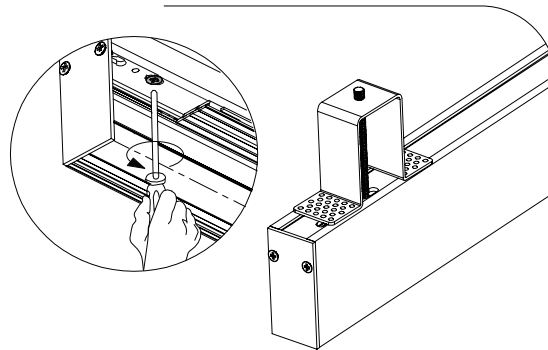
03 REMOVE MAGNET



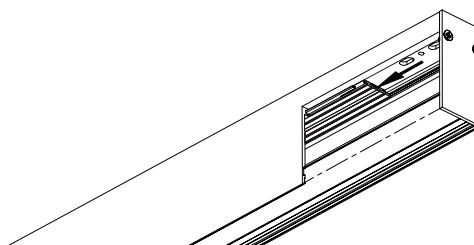
04 INSTALL RECESSED KIT 1



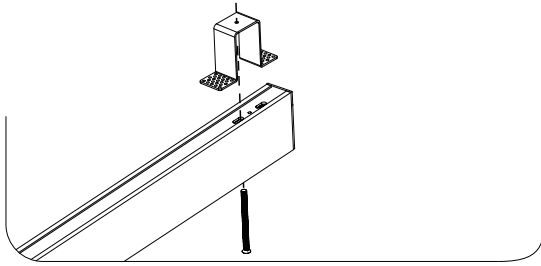
05 FIX THE RECESSED KIT BUT NOT TIGHT



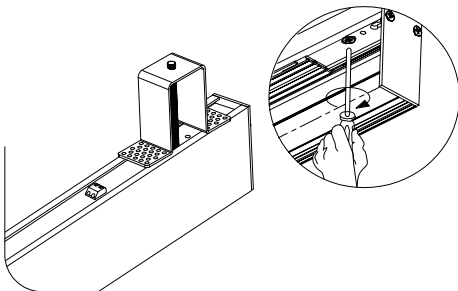
06 SLIDE PCB BOARDS TO END OF TRACK TO EXPOSE MOUNTING HOLE AT OPPOSITE END OF TRACK



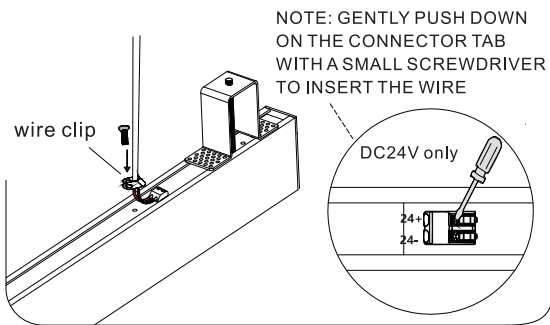
07 INSTALL RECESSED KIT 2



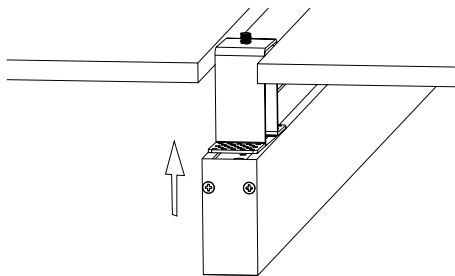
08 FIX THE RECESSED KIT BUT NOT TIGHT



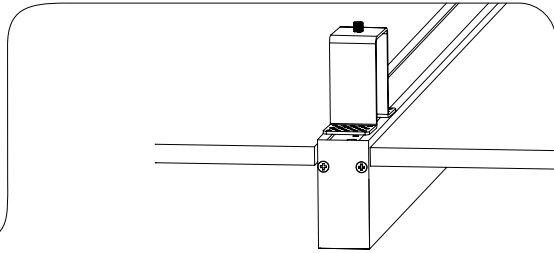
09 CONNECT 24 VOLT POWER FROM THE DRIVER TO THE 24 VOLT ON THE TRACK, RED WIRE TO POSITIVE AND BLACK WIRE TO NEGATIVE. ATTACH THE WIRE RESTRAINT TO THE POWER CORD.



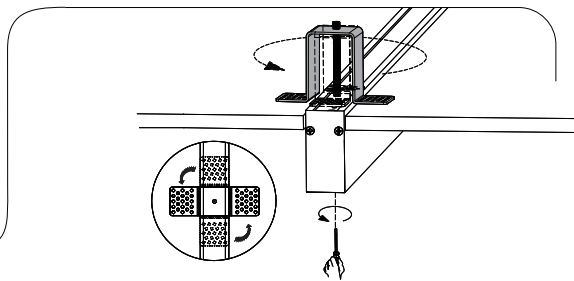
10 INSET TRACK PROFILE INTO THE CEILING



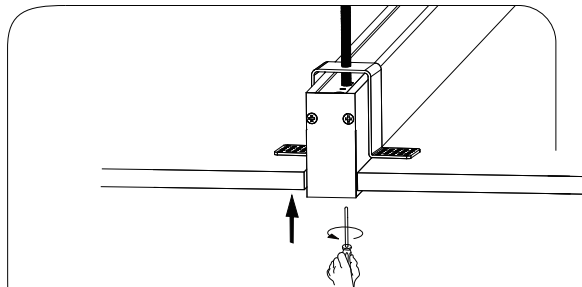
11



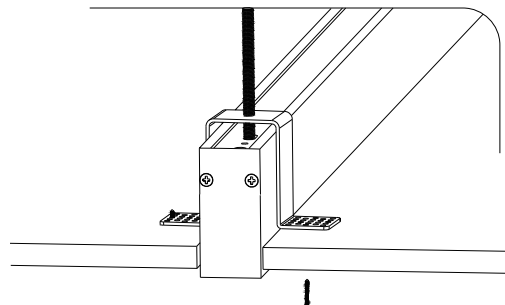
12 RELEASE THE RECESSED KIT AND TURN IT 90° TO DROP DOWN TO THE CEILING



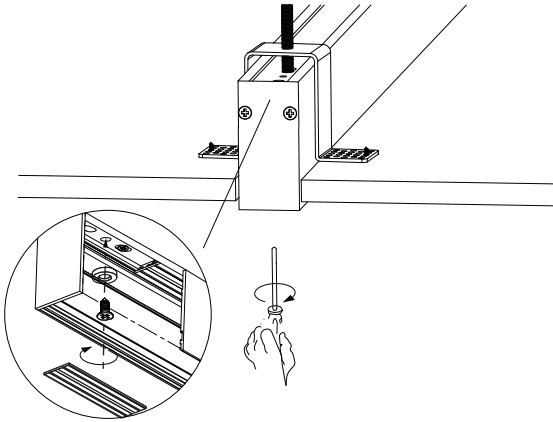
13 SCREW AND LIFT THE TRACK UP INTO THE CEILING



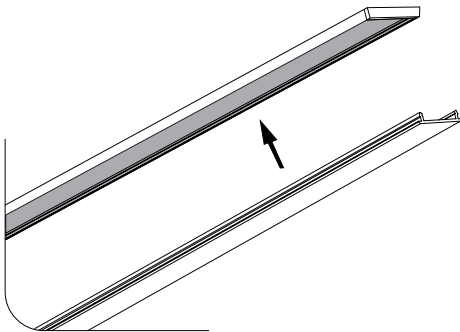
14 ATTACH TRACK WITH SCREWS



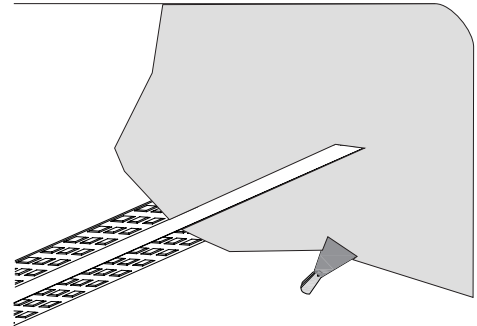
15 RE-INSTALL THE MAGNET AND DECORATIVE PLATE
(IF TWO TRACKS CONNECTION IS NEEDED, PLEASE SEE PAGE 9.)



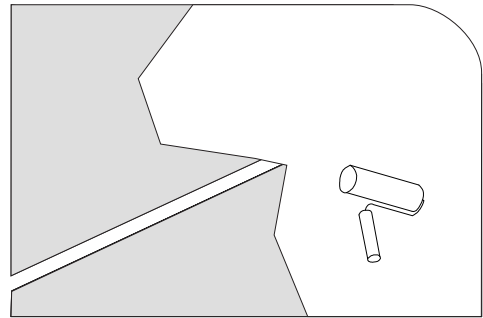
Optional: INSTALL THE MSAR11 RECESSED TRACK COVER ONTO THE TRACK



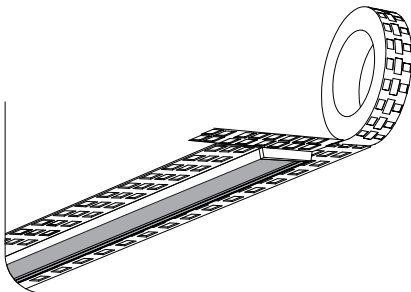
17 PLASTERING



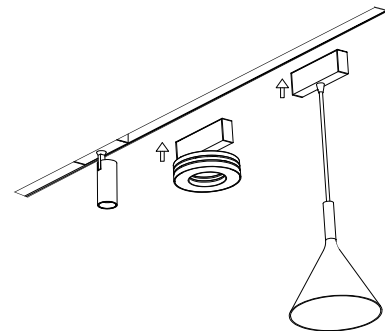
18 PAINTING



16 TAPING WITH FIBERGLASS TAPE



19 INSTALL THE FIXTURE



NOTE: CALCULATE THE WATTAGE OF ALL ELEMENTS BEING USED TO MAKE SURE MAXIMUM WATTAGE OF REMOTE DRIVER IS NOT BEING EXCEEDED.

SURFACE/PENDANT/RECESSED TRACK
INSTALLATION INSTRUCTIONS

CAUTION:

1. BEFORE INSTALLING THE LIGHT FIXTURES, PLEASE READ THE INSTALLATION INSTRUCTIONS CAREFULLY.
2. DISCONNECT POWER AT CIRCUIT BREAKER BEFORE INSTALLATION OR SERVICING.
3. DO NOT INSTALL THE TRACK IN DAMP OR WET LOCATIONS.
4. THIS TRACK IS IP20, INDOOR USE ONLY.
5. ALL ELECTRICAL CONNECTIONS SHOULD BE DONE BY A QUALIFIED ELECTRICIAN.

SURFACE/PENDANT/RECESSED
TRACK CONNECTION

INCLUDED HARDWARE

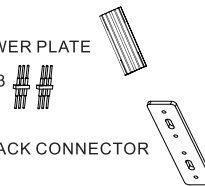
65MM POWER PLATE

WHICH INCLUDES: 1 × POWER PLATE

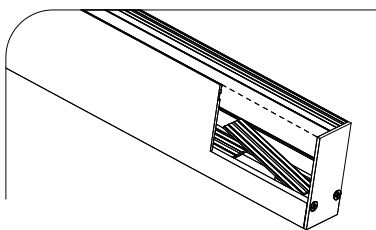
2 × PIN3

TRACK CONNECTOR-S

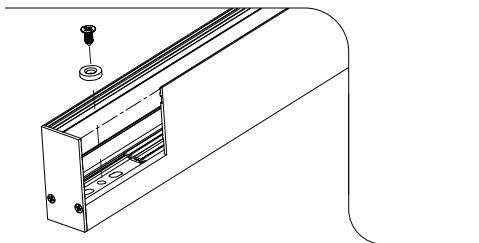
WHICH INCLUDES: 1 × TRACK CONNECTOR



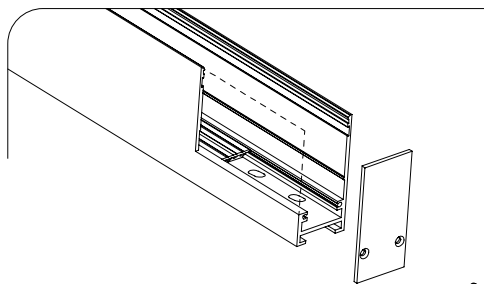
01 REMOVE DECORATIVE PLATE



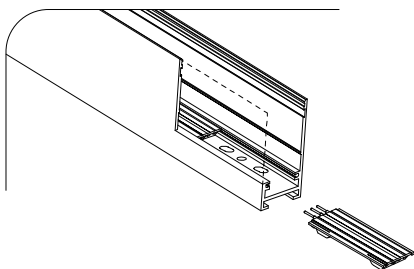
02 REMOVE MAGNET



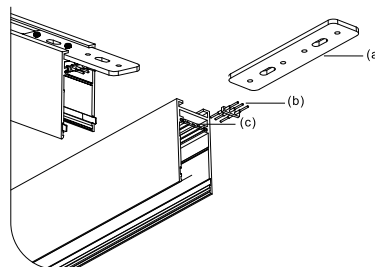
03 REMOVE DECORATIVE PLATE



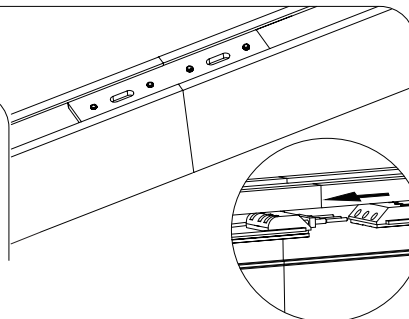
04 INSERT THE 65MM POWER PLATE



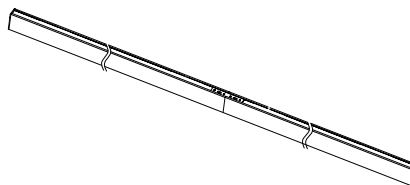
- 05** INSTALL THE PIN SET(b) INTO THE PIN CONNECTOR HOLES (c) ON THE TRACK. SLIDE THE TRACK CONNECTOR-S(a) INTO THE SLOT ON THE BACK OF THE TRACK APPROXIMATELY HALFWAY AND SECURE TO TRACK WITH TWO SET SCREWS.



- 06** SLIDE SECOND TRACK ONTO THE TRACK CONNECTOR WHILE CAREFULLY LINING UP THE PIN SET ON THE FIRST TRACK WITH THE PIN SET HOLES ON THE SECOND TRACK.



07 COMPLETED TRACK CONNECTION



TRIMLESS RECESSED FLANGE TRACK
INSTALLATION INSTRUCTIONS

NOTE:

1. TRACK SECTIONS SHOULD BE JOINED TOGETHER ON THE FLOOR BEFORE INSTALLING INTO THE CEILING.
2. WHEN INSTALLING LONGER TRACK RUNS UTILIZING MULTIPLE 200 WATT SECTIONS, YOU MUST ENSURE THE ELECTRICAL CONNECTION BETWEEN EACH SECTION IS TERMINATED. A NEW CONNECTION FROM THE DRIVER SHOULD BE MADE AT THE START OF EACH ADDITIONAL 200 WATT SECTION WITHOUT THE USE OF 3-PIN CONNECTORS OR RECESSED CABLE CONNECTORS.

INCLUDED HARDWARE

1 METER TRACK INCLUDES:

- 4 × SCREWS
- 4 × WALL PLUGS
- 1 × ALLEN WRENCH
- 1 × MALE POWER CABLE

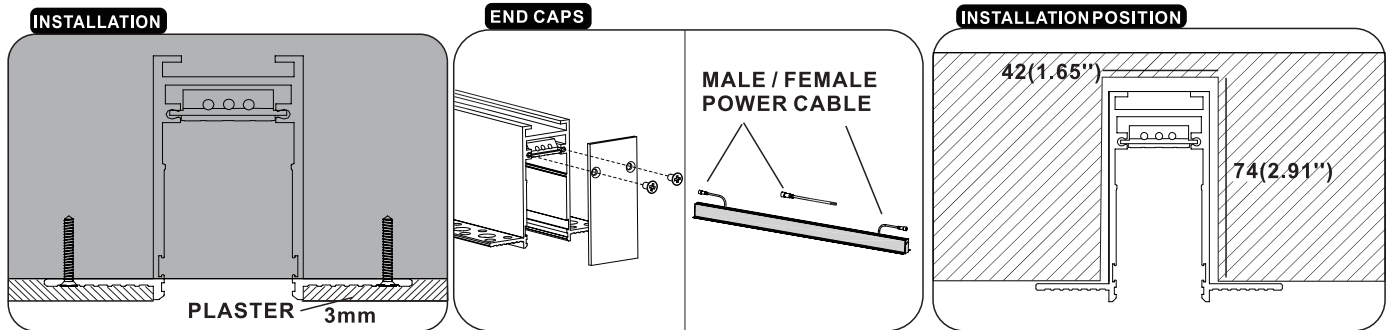
2 METER TRACK INCLUDES:

- 6 × SCREWS
- 6 × WALL PLUGS
- 1 × ALLEN WRENCH
- 1 × MALE POWER CABLE

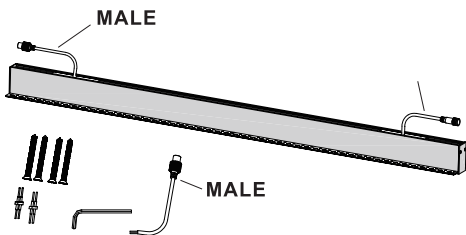
3 METER TRACK INCLUDES:

- 8 × SCREWS
- 8 × WALL PLUGS
- 1 × ALLEN WRENCH
- 1 × MALE POWER CABLE

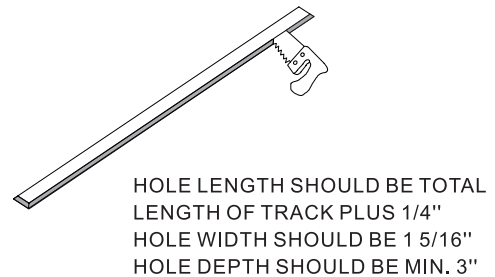
Trimless recessed flange track



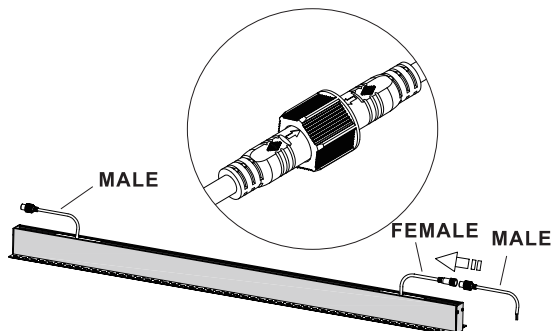
01 REMOVE TRACK AND ACCESSORIES FROM BOX



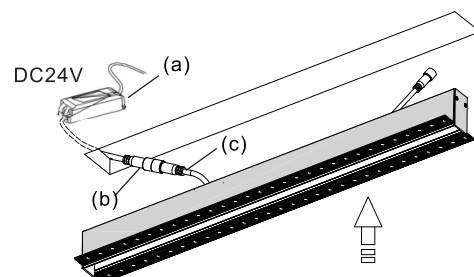
03 CUT HOLE FOR RECESSED TRACK



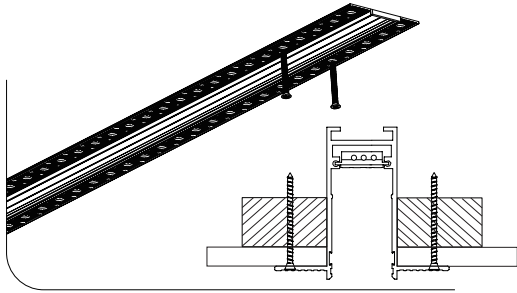
02 CONNECT THE PROVIDED MALE POWER CABLE TO THE FEMALE TRACK CABLE BY LINING UP THE ARROWS ON THE CABLE CONNECTORS AND PUSH TOGETHER. SECURE WITH THE CABLE NUT.



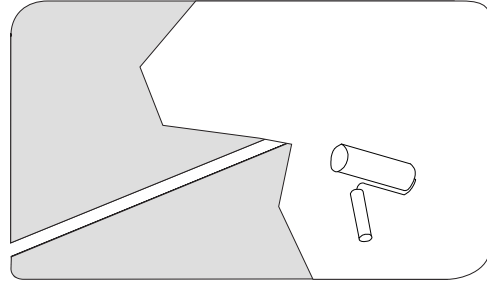
04 CONNECT POWER FROM REMOTE DRIVER (a) TO PROVIDED POWER CABLE (b), CONNECT MALE POWER CABLE (b) TO TRACK POWER CABLE (c), INSTALL TRACK



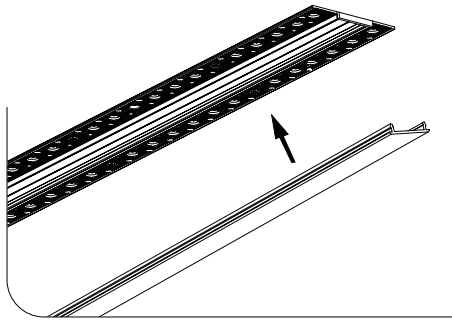
05 ATTACH TRACK WITH SCREWS



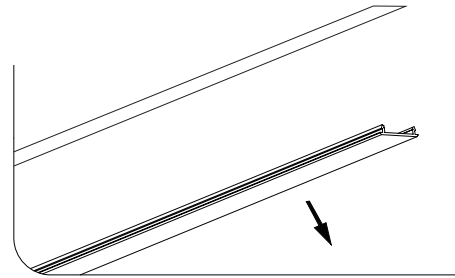
08 PAINTING



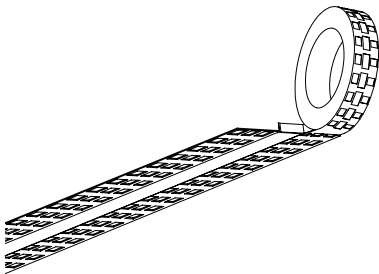
Optional INSTALL THE RECESSED TRACK COVER ONTO THE TRACK



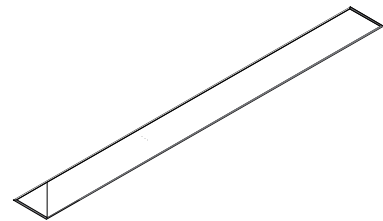
Optional REMOVE THE MSAR11 RECESSED TRACK COVER FROM TRACK



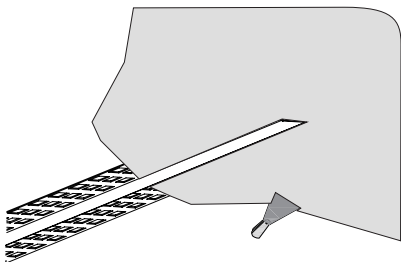
06 TAPING WITH FIBERGLASS TAPE



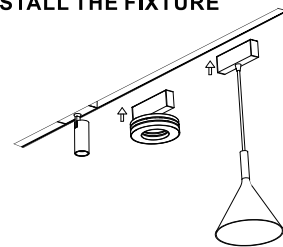
09 INSTALL THE FIXTURE



07 PLASTERING



10 INSTALL THE FIXTURE



NOTE: CALCULATE THE WATTAGE OF ALL ELEMENTS BEING USED TO MAKE SURE MAXIMUM WATTAGE OF REMOTE DRIVER IS NOT BEING EXCEEDED.

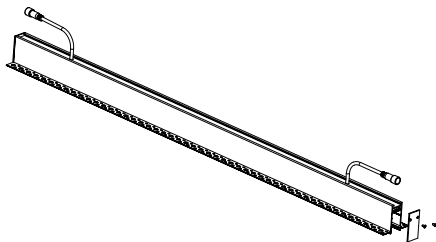
**TRIMLESS RECESSED FLANGE TRACK
INSTALLATION INSTRUCTIONS**

CAUTION:

1. BEFORE INSTALLING THE LIGHT FIXTURES, PLEASE READ THE INSTALLATION INSTRUCTIONS CAREFULLY.
2. DISCONNECT POWER AT CIRCUIT BREAKER BEFORE INSTALLATION OR SERVICING.
3. DO NOT INSTALL THE TRACK IN DAMP OR WET LOCATIONS.
4. THIS TRACK IS IP20, INDOOR USE ONLY.
5. ALL ELECTRICAL CONNECTIONS SHOULD BE DONE BY A QUALIFIED ELECTRICIAN.

**TRIMLESS RECESSED FLANGE
TRACK CONNECTION**

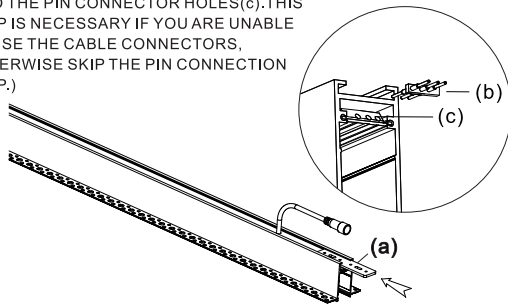
01 REMOVE END CAPS FROM TRACK WHERE TRACK WILL BE JOINED



NOTE : WHEN JOINING A TRACK, BE SURE TO CHECK THAT YOU ARE JOINING THE CORRECT END OF THE ADDED TRACK IN ORDER TO MATCH THE MALE/FEMALE POWER CABLES.

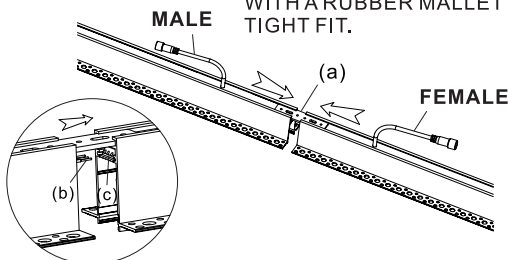
02 SLIDE TRACK CONNECTOR (a) HALFWAY INTO THE SLOT ON THE BACK OF THE TRACK AND SECURE WITH PROVIDED SETSCREWS.

(OPTIONAL - INSERT PIN CONNECTORS (b) INTO THE PIN CONNECTOR HOLES (c). THIS STEP IS NECESSARY IF YOU ARE UNABLE TO USE THE CABLE CONNECTORS, OTHERWISE SKIP THE PIN CONNECTION STEP.)



03 SLIDE THE NEXT TRACK ONTO THE TRACK CONNECTOR (a). SECURE REMAINING SET SCREWS ON TRACK CONNECTOR.

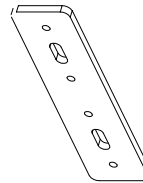
NOTE: MAY HAVE TO TAP END OF TRACK WITH A RUBBER Mallet TO ENSURE TIGHT FIT.



(IF USING PIN CONNECTION INSTEAD OF CABLE CONNECTION, CAREFULLY LINE UP THE PINS (b) WITH THE PIN CONNECTOR HOLES (c) ON THE NEXT TRACK.)

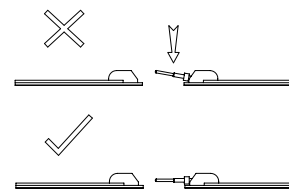
INCLUDED HARDWARE

TRACK CONNECTOR-S

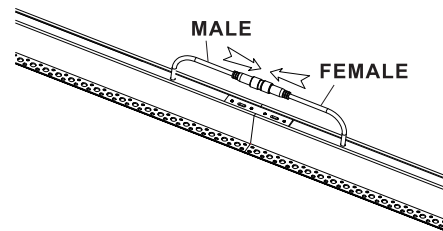


ATTENTION

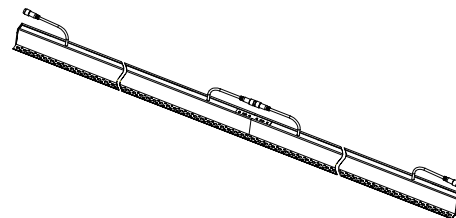
WHEN JOINING TRACKS OR ACCESSORIES UTILIZING PIN CONNECTORS, MAKE SURE PINS ARE HORIZONTAL AND LINE UP WITH PIN CONNECTOR HOLES. YOU MAY NEED TO GENTLY PUSH UP OR DOWN ON THE PINS SO THEY LINE UP CORRECTLY. FAILING TO DO THIS MAY RESULT IN PINS MISSING THE PIN CONNECTOR HOLES AND LOSS OF THE 24 VOLT CONNECTION.



04 CONNECT MALE / FEMALE CABLE CONNECTORS



05 COMPLETED TRACK CONNECTION



NOTE:

COMPLETE THESE STEPS FOR EACH ADDITIONAL TRACK. AFTER EACH TRACK CONNECTION A CONTINUITY TEST SHOULD BE DONE TO ENSURE PROPER ELECTRICAL CONNECTIONS WERE MADE.