



**SAFETY INSTRUCTION**



**READ CAREFULLY BEFORE INSTALLING FIXTURE. PLEASE KEEP THIS MANUAL FOR FUTURE USE.**

Fixtures must be wired in accordance with the National Electrical Code and all applicable local codes. Proper grounding is required for safety.

**THIS PRODUCT MUST BE INSTALLED IN ACCORDANCE WITH THE APPLICATION CODE BY A PERSON FAMILIAR WITH THE CONSTRUCTION AND OPERATION OF THE PRODUCT AND THE HAZARDS INVOLVED.**

**MAKE CERTAIN POWER IS OFF BEFORE INSTALLING OR MAINTAINING FIXTURE.**

**CHECK THAT VOLTAGE IS COMPATIBLE WITH FIXTURE DRIVER. USE APPROVED CONNECTORS FOR ALL ELECTRICAL CONNECTIONS.**

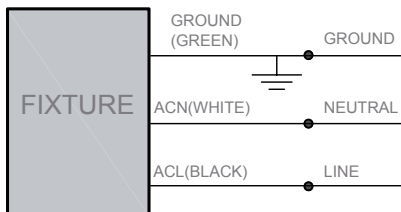
**MAINTENANCE CAUTION**



1. Review the wire connection before beginning, and make sure fixture is grounded properly.
2. For lighting controls, follow control instructions carefully.
3. Turn power off and wait for fixture to cool before performing maintenance.
4. Maintenance must be done by professionals.

**WIRE CONNECTION**

Universal Voltage permits operation at 120VAC thru 277VAC, 50 or 60 Hz.



Make the following Electrical Connection:

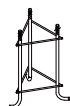
- a). Connect the voltage supply line to ACL in Black.
- b). Connect the voltage supply Neutral to ACN in White.
- c). Connect Green ground lead to the supply ground lead.

**INSTALLATION**

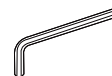
**ACCESSORY PACK**



WIRE NUT x 3



ANCHOR BOLTS x 1



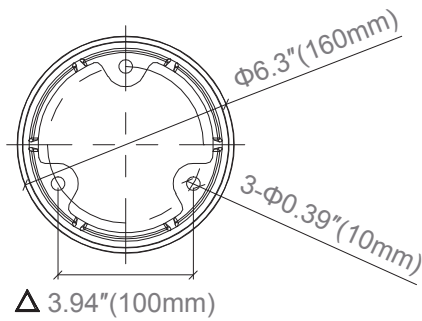
L-TYPE WRENCH x 1

**WARNING**

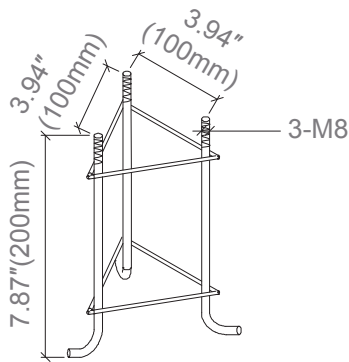
**Risk of injury or damage. Make certain power is OFF before installing or maintaining fixture.**

**Installation Steps**

1. Make sure the concrete base is suitable for the bollard load.
2. Install Anchor Bolts into concrete.
3. Ensure that conduit (customer supplied) exits concrete in the center of the anchor bolts.
4. Loosen the Set Screw (3) with an L-type wrench and remove the Bollard Base of the Bollard.
5. Place the Bollard Base over Anchor Bolts and tighten all the Nuts and Washers.
6. Be sure supply leads extend far enough to make wire connections with waterproof connectors (by others).
7. Slide the Fixture over on Bollard Base.
8. Replace the Set Screws (3) to secure the fixture to the Bollard Base.



**BASE PLATE**



**ANCHOR BOLTS**

