



CONE LED BOLLARD



PRODUCT DESCRIPTION

The Cone led bollard has a round appearance for good decorative effect, sized in 3.5ft height. Optical design, greatly improves the light efficiency and uniformity. Efficiency is higher than 115 lm/W. This bollard is an excellent choice for walkways, entrances, promenades, plazas, courtyards, driveways, bridges, and landscaped areas.

FEATURE

- Simple and sleek design
- Efficiency is higher than 115 lm/W
- IP65 rated for wet location

ELECTRICAL SYSTEM

- Input Voltage: 120-277V
- 50/60Hz
- Minimum Ambient -40°F, maximum ambient 104°F
- Power Factor: > 0.9 @120Vac
- Total Harmonic Distortion: < 20%

PERFORMANCE

CRI

80

CCT

3000K, 4000K, 5000K

Dimming

1-10V Dimming Standard

Projected Lifetime

L70 - 100,000 Hours

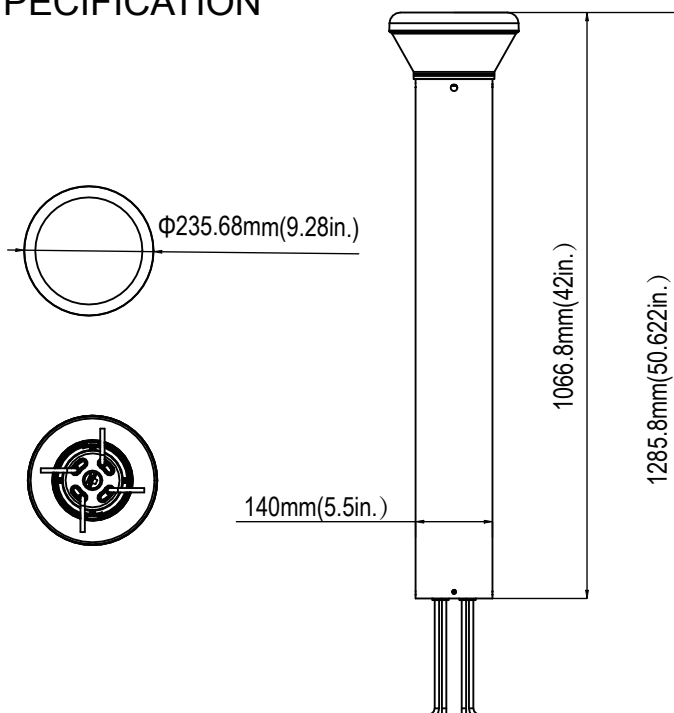
Working Temperature

-40°C to + 40°C (-40°F to 104°F)

Certifications

- cUL Listed
- Suitable for wet location
- IP65 rated
- RoHS compliant

SPECIFICATION



Ordering Information

Example: CBD42H-26401-V

Name	Pole Height	Watts	CCT	Voltage	Controls	Distribution	Finish
CBD - Cone Bollard	42H - 42" High	26 - 26 Watts	30 - 3000K	1 - 120-277V	Blank - None EBU - Emergency Battery Back-up ¹	V - Type V	Standard Blank - Bronze
			40 - 4000K				
			50 - 5000K				

Note:

- Ambient working temperature for Emergency battery backup is 32°F -95°F (0 °C -35°C).
- * Anchor bolts are standard and packed together with the fixture.
 - * Standard Finish is bronze. Custom colors might be available for an additional fee. Please check with Customer Service for more information.

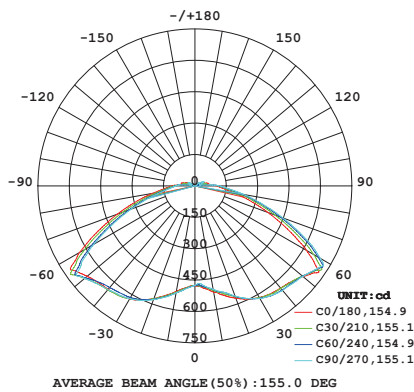
ACCESSORIES (ORDER SEPARATELY)



91311
 ABMK-CBD
 Anchor bolts for Cone Bollard

PHOTOMETRY

All published luminaire photometric testing performed to IESNA LM-79-08 standards by a NVLAP certified laboratory.



Type V

PERFORMANCE DATA

LUMEN OUTPUT

Watts	Lumen Output	AC Input 120V	CRI	CCT	LPW
26W	3000lm	0.22A	80	5000K	115

BUG Rating

Performed to IESNA LM-79-08 standards by a NVLAP accredited laboratory.

Model	BUG Rating
CBD42H-26501-V	B1-U3-G1

Warranty

Five year limited warranty.

Specifications subject to change without notice.