



CYLINDER LED WALL LIGHT Down Light



PRODUCT DESCRIPTION

The Cylinder wall light is designed in a cylinder shape with durable powder coat paint. It combines aluminium structure with a tempered glass diffuser radiating light downward against the wall where installed.

ELECTRICAL SYSTEM

- Input voltage: 120V
- 50/60Hz
- Power Factor: >0.87
- Working Temperature: -13-95°F (-25-35°C)

SPECIFICATION

PERFORMANCE

CRI

80

CCT

3000K

Dimming

Non dimming

Projected Lifetime

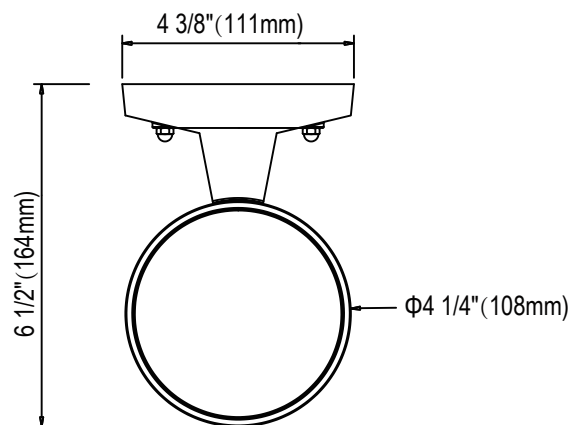
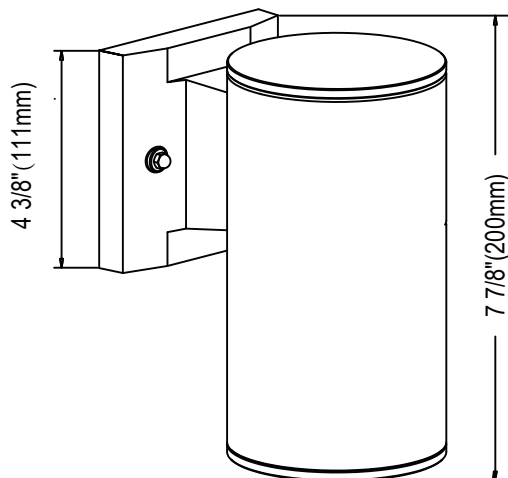
L70 -100,000 Hours

Working Temperature

-13-95°F (-25-35°C)

Certifications

- ETL listed
- Suitable for wet locations
- RoHs compliant



Ordering Information

Example: CRD09304-BK

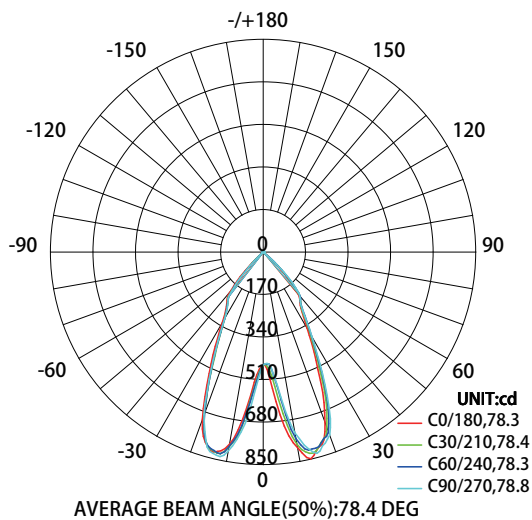
Model	Watts	CCT	Voltage	Control	Finish
CRD - Cylinder Round Direct	09 - 9W	30 - 3000K	4 - 120	Blank - None	BK - Black

Notice:

- * Minimum order required, please contact customer service for additional information.
- * Black finish is standard. Custom color is available for a premium setup fee. Consult customer service for additional information.

PHOTOMETRY

All published luminaire photo metric testing performed to IESNA LM-79-08 standards by a NVLAP certified laboratory.



PERFORMANCE DATA

LUMEN OUTPUT

Lumen values are measured by third party certified laboratories performed in accordance with IESNA LM-79-08 as well as Lighting Facts listed.

Watts	Lumen Output	AC Input 120V	CCT	CRI
9	770	0.08A	3000K	80

Warranty

Two year limited warranty.

Note:

Specifications subject to change without notice.