

SUITABLE FOR MODEL

V2.0



IMAGE MAY VARY FROM ACTUAL PRODUCT

SAFETY INSTRUCTION

READ CAREFULLY BEFORE INSTALLING FIXTURE. PLEASE KEEP THIS MANUAL FOR FUTURE USE. Fixtures must be wired in accordance with the National Electrical Code and all applicable local codes.

Proper grounding is required for safety.

THIS PRODUCT MUST BE INSTALLED IN ACCORDANCE WITH THE APPLICATION CODE BY A PERSON FAMILIAR WITH THE CONSTRUCTION AND OPERATION OF THE PRODUCT AND THE HAZARDS INVOLVED. MAKE CERTAIN POWER IS OFF BEFORE INSTALLING OR MAINTAINING FIXTURE.

CHECK THAT VOLTAGE IS COMPATIBLE WITH FIXTURE DRIVER, USE APPROVED CONNECTORS FOR ALL ELECTRICAL CONNECTIONS.

RISK OF FIRE OR ELECTRIC SHOCK. MAKE SURE POWER SUPPLY IS OFF BEFORE INSTALLING OR MAINTAINING THE PRODUCT.

RISK OF FIRE OR ELECTRIC SHOCK. INSTALL THIS PRODUCT ONLY IN THE LUMINAIRES THAT HAVE THE CONSTRUCTION FEATURES AND DIMENSIONS SHOWN IN THE PHOTOGRAPHS AND/OR DRAWINGS AND WHERE THE INPUT RATING OF THE PRODUCT DOES NOT EXCEED THE INPUT RATING OF THE LUMINAIRE.

RISK OF FIRE OR ELECTRIC SHOCK. TO PREVENT WIRING DAMAGE OR ABRASION, DO NOT EXPOSE WIRING TO EDGES OF SHEET METAL OR OTHER SHARP OBJECTS.

RISK OF FIRE OR ELECTRIC SHOCK. LED RETROFIT KIT INSTALLATION REQUIRES KNOWLEDGE OF LUMINAIRES ELECTRICAL SYSTEMS. IF NOT QUALIFIED, DO NOT ATTEMPT INSTALLATION. CONTACT A QUALIFIED ELECTRICIAN.

RISK OF FIRE OR ELECTRIC SHOCK. ONLY THOSE OPEN HOLES INDICATED IN THE PHOTOGRAPHS AND/OR DRAWINGS MAY BE MADE OR ALTERED AS A RESULT OF KIT INSTALLATION. DO NOT MAKE OR ALTER ANY OPEN HOLES IN AN ENCLOSURE OF WIRING OR ELECTRICAL COMPONENTS DURING INSTALLATION.

RISK OF FIRE OR ELECTRIC SHOCK. NEVER PERFORM MAINTENANCE OR CLEANING WHILE FIXTURE IS ENERGIZED. DISCONNECT POWER AND ALLOW FIXTURE TO COOL BEFORE MAINTAINING.

RISK OF INJURY. WEAR SAFETY GLASSES AND GLOVES DURING INSTALLATION AND SERVICING.

Maintenance Caution

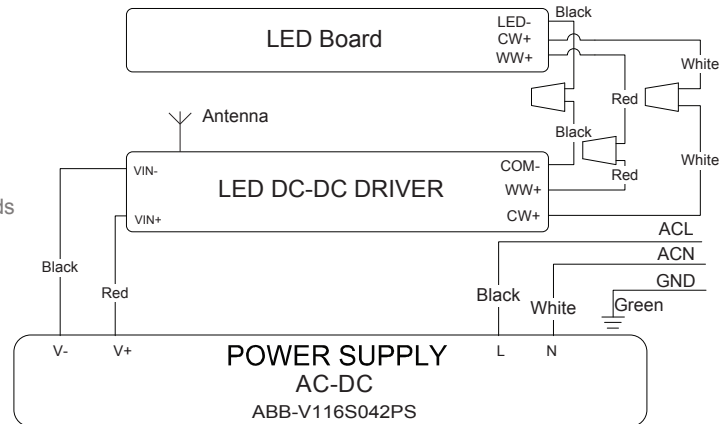
1. Review the wire connection before beginning, and make sure fixture is grounded properly.
2. For lighting controls, using control function correctly.
3. Turn power off and wait for fixture to cool.
4. Maintenance must be done by professionals.

WIRE CONNECTION

For the LED driver:

Universal voltage driver permits operation at 120V thru 277V, 50 or 60Hz

1. Connect the (+) supply lead to the BLACK lead on the driver
2. Connect the (-) supply lead to the WHITE lead on the driver
3. Connect GREEN(GROUND) supply lead to GREEN(GROUND) fixture leads



INSTALLATION

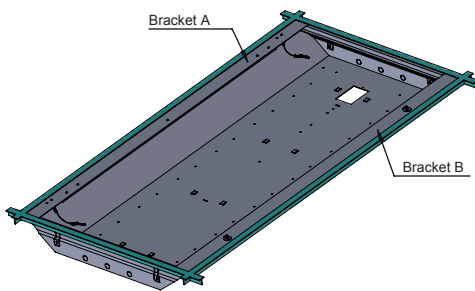


Fig. 1.1

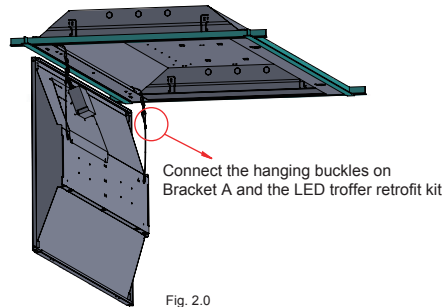


Fig. 2.0

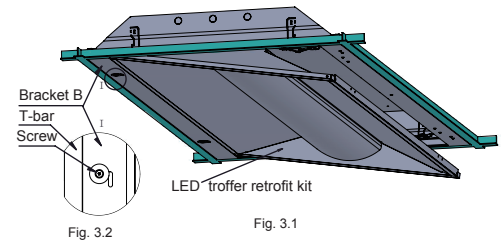


Fig. 3.2

Fig. 3.1

1. Turn off power before installation or servicing of the fixture
2. Remove the Lens(Louver) from existing fixtures
3. Slide universal brackets(A and B) between the fixture and T-Bar.(Fig. 1.1)

4. Connect the hanging buckles on Bracket A and the LED troffer retrofit kit.(Fig.2.0)
5. Connect the wires according to the wire connection instructions.

6. Make sure the screws and washers on the L channel is at the same position as Fig.3.2
7. Place LED troffer retrofit kit into bracket B(Fig. 3.1)

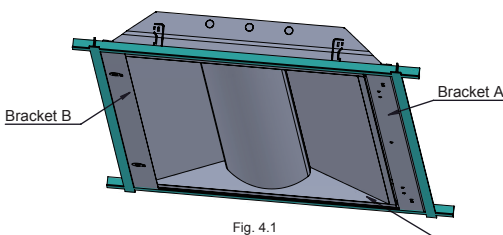


Fig. 4.1

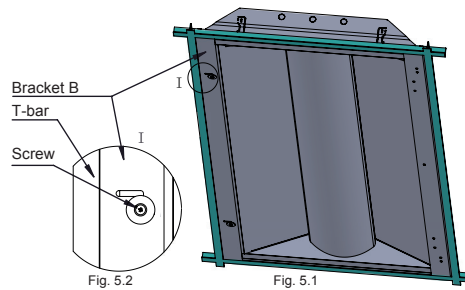


Fig. 5.2

Fig. 5.1

8. Raise up the LED troffer retrofit kit and move it into bracket A.(Fig.4.1)

9. After the LED troffer retrofit kit is well fixed in the brackets,move the screw and washer in the L channel to right and then down to the position as seen in Fig.5.2.
10. Tighten the two screws on the bracket B.

WARRANTY

LIMITED FIVE-YEAR WARRANTY. Should this product fail to perform satisfactorily due to a defect or poor workmanship within five years from the date of purchase, return it to the place of purchase and it will be replaced, free of charge. Incidental or consequential damages are excluded from the warranty.