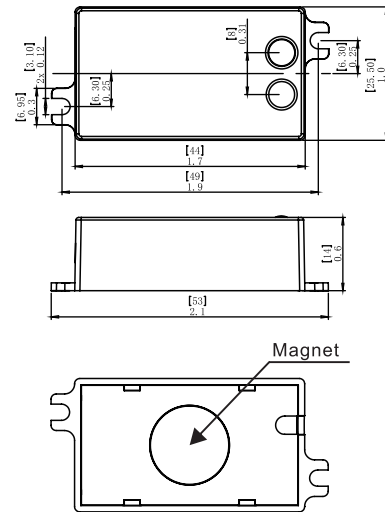


ANT-9



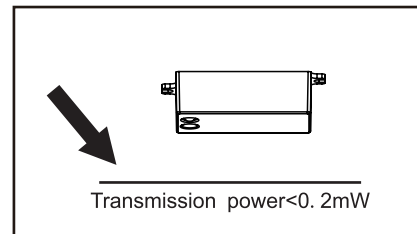
RC-100



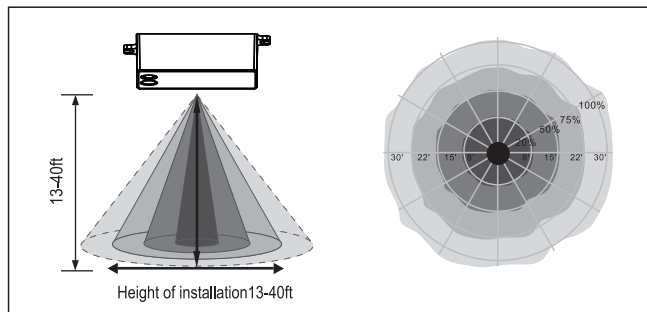
SPECIFICATIONS

Power supply	12V–24V DC
HF System	5.8GHz±75MHz
Dim control output	0-10V, max. 25mA sinking current
Detection radius/angle	Max 26ft.(8m)/360°
Mounting height	Max 40ft
Remote range	50ft. (15m) indoor, no backlight
Humidity	Max. 95% RH
Temperature	-40°F ~ 158°F (-40°C ~ 70°C)

NOTE: The high-frequency output of this sensor is <0.2mW—that is just one 5000th of the transmission power of a mobile phone or the output of a microwave oven.



SENSOR COVERAGE



Once powering the device up, the ANT-9 will use factory default parameters to operate. If adjustments are needed, "RC-100" Wireless IR Configuration tool must be used.

UTILIZING FIELD AND INTRODUCTION

ANT-9 is a moving object sensor that can detect range of 360° and its working frequency is 5.8GHz. The advantage of this product is stable working state (stable working temperature: -40°C~+70°C), ANT-9 adopts a microwave sensor (high-frequency output <0.2mW), so that it is safe and performs better than infrared sensor.

DIMMING FUNCTION

This function inside the motion sensor to achieve tri-level control, for some areas which require a light change notice before switch-off. The sensor offers 3 levels of light: 100%-->dimmed light (natural light is insufficient) -->off; and 2 periods of selectable waiting time: motion hold-time and stand-by period; Selectable daylight threshold and freedom of detection area.



With sufficient natural light, the light does not switch on when presence is detected.



With insufficient natural light, the sensor switches on the light automatically when presence is detected.




After hold-time, the light dims to stand-by level if the surrounding natural light is below the daylight threshold.



Light switches off automatically after the stand-by period elapses.

DAYLIGHT HARVESTING FUNCTION (ONLY BY USING RC100 REMOTE CONTROL)

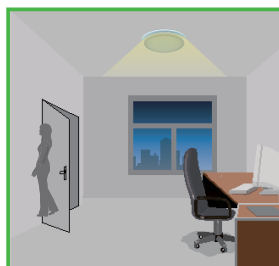
Open the daylight harvesting function only by choosing “” button when remote control is in setting condition. Memory and maintain current ambient brightness.



When the natural light is sufficient or dark, movement is detected and the light will turn on 100% brightness.



The light turns on at full or dims to maintain the lux level. The light output regulates according to the level of natural light available.



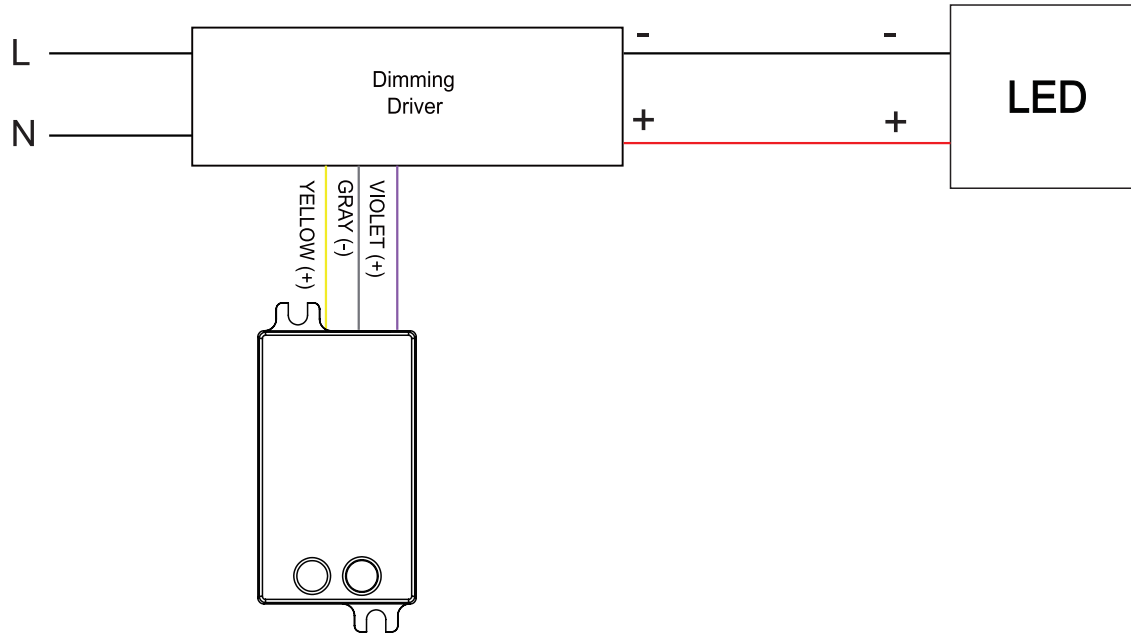
The light dims to stand-by period after hold-time and stays on selected minimum dimming level.



The light switches off completely after the stand-by period.

WIRING DIAGRAMS

ANT-9 wiring with dimming ballast or LED driver.



ANT-9 Wiring by AC/DC Adapter with dimming ballast or led driver.

