



ABOVE ALL

www.AboveAllLighting.com



RING SERIES



- Available in standard light and acoustic w/light
- Illuminating from the inner surface
- Pendant and surface mounted

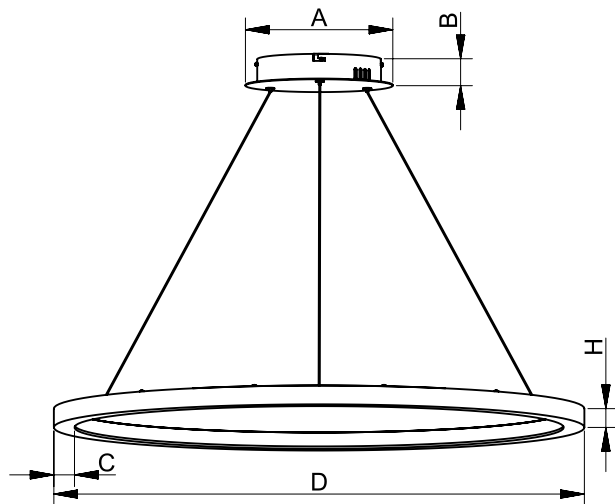
(VRI) Vicky Ring Inward Light Acoustic Light

DESCRIPTION

The Vicky Ring light is a unique ring style light with an LED light source illuminating from its inner surface. It is available in sizes ranging from 23.6"(dia.) up to 59"(dia.). This design features aluminum body construction and an optional acoustic system that maximizes surface area to absorb sound waves and improve harmony in the installed space, providing a perfect integration of lighting and acoustic control.

- Fixtures in diameters from 23.6" through 59.1"
- Available in standard light and acoustic w/light
- Illuminating from the inner surface
- Pendant and surface mounted
- 35 acoustic felt colors available

SPECIFICATION



Pendant

Input Watts (Nominal):	36W, 40W, 70W, 80W
Input Voltage:	120-277V
Efficacy@4000K	70
Lumen Output	2520, 2800, 4900, 5600
CRI	90
Working Temperature:	-4-104°F (-20-40°C)

Note:

1. The lumen output is for the fixture without acoustic. The data for acoustic may vary based on different acoustic fiber colors. Please contact Customer Service if need the lumen output for acoustic version.
2. The lumen outputs for 70W and 80W are calculated.

Cable and wire cord length: 59" (1.5m)

36W

D: 23.6"(600mm)
 H: 1.3"(32mm)
 C: 1.4"(35mm)
 A: 10.0"(250mm)
 B: 1.38"(35mm)

40W

D: 35.4"(900mm)
 H: 1.3"(32mm)
 C: 1.4"(35mm)
 A: 10.0"(250mm)
 B: 1.38"(35mm)

70W

D: 47.2"(1200mm)
 H: 1.3"(32mm)
 C: 1.4"(35mm)
 A: 10.0"(250mm)
 B: 1.38"(35mm)

80W

D: 59.1"(1500mm)
 H: 1.3"(32mm)
 C: 1.4"(35mm)
 A: 10.0"(250mm)
 B: 1.38"(35mm)





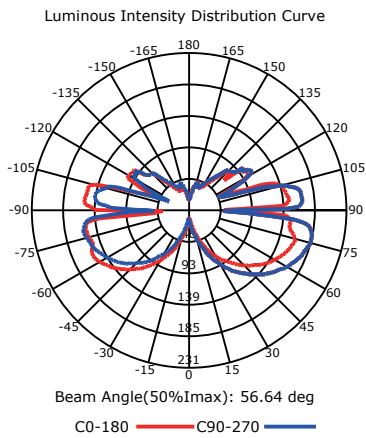
- Direct illuminating

COLOR OPTION



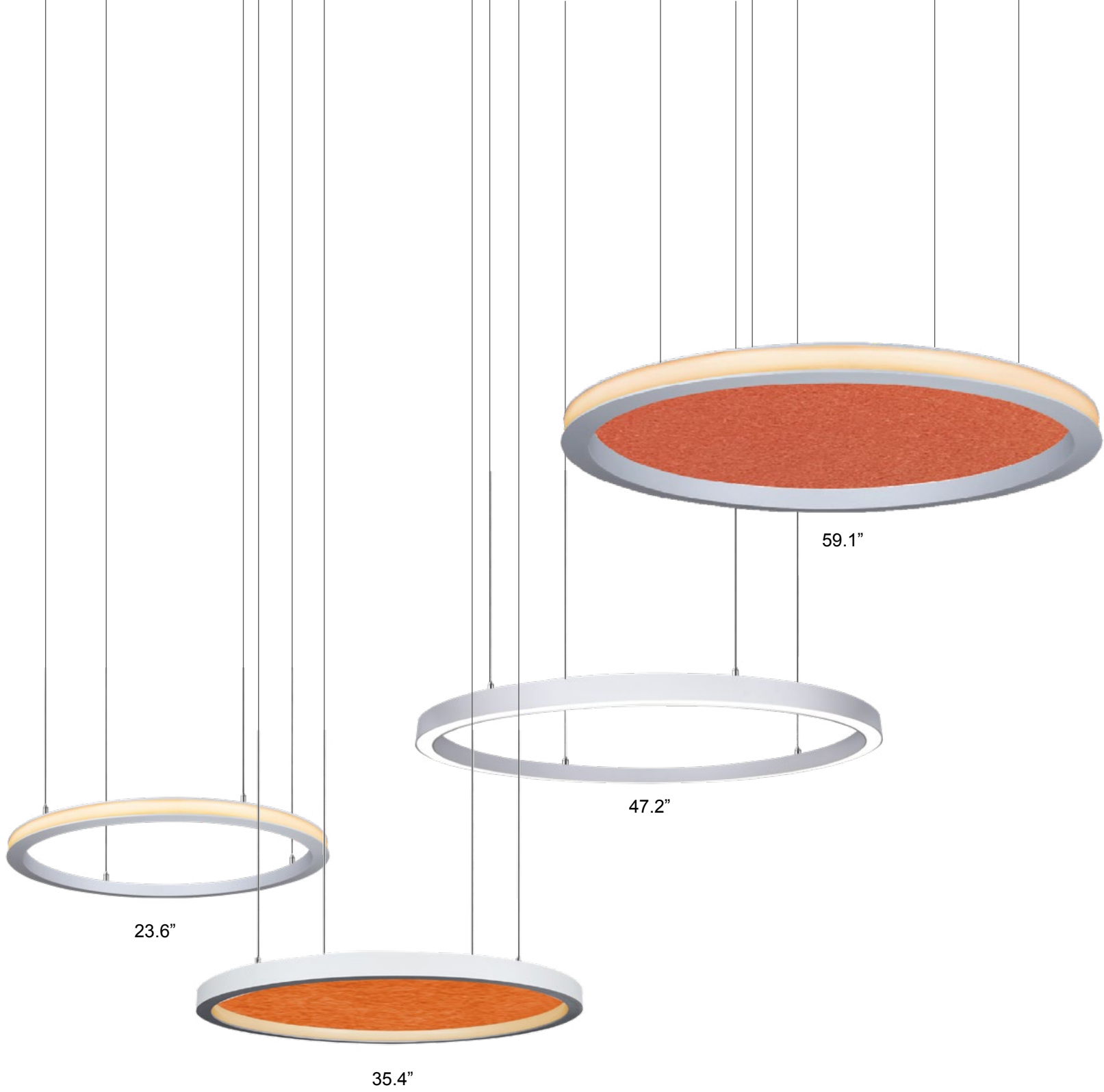
- Illuminating from the inner surface

PHOTOMETRY

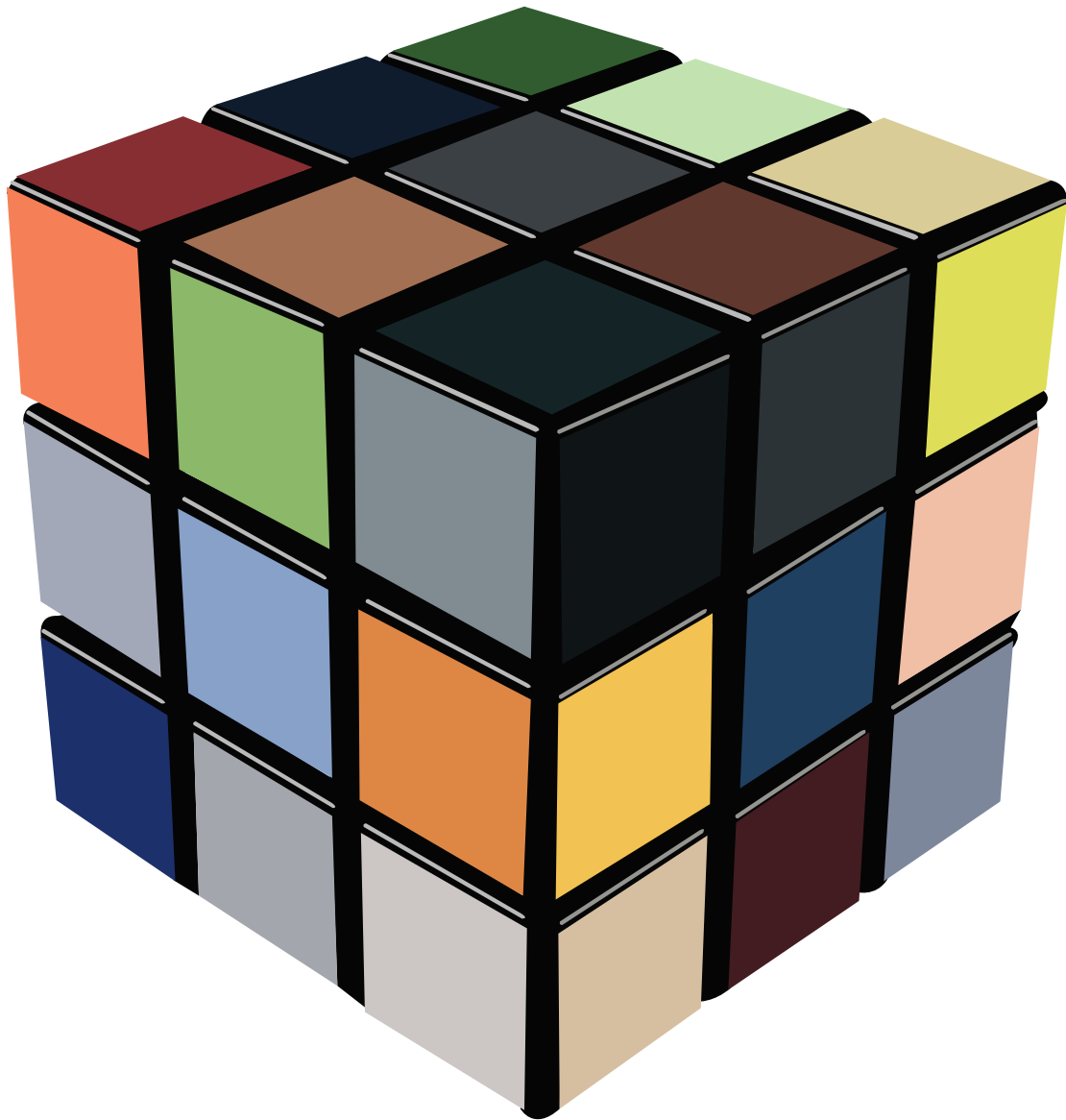




- Illuminating from outer surface



- Fixtures in diameters from 23.6" through 196.9"



- 35 acoustic felt colors available

(VRO) Vicky Ring Outward Light

DESCRIPTION

The Vicky Ring light is a unique ring style light with an LED light source illuminating from its outer surface. It is available in sizes ranging from 23.6"(dia.) up to 59"(dia.). Aluminum body construction. Central canopy suspension is standard, with direct suspension and surface mounted as options.

- Fixtures in diameters from 23.6" through 59.1"
- Available in standard light and acoustic w/light
- Illuminating from the outer surface
- Pendant and surface mounted
- 35 acoustic felt colors available

Input Watts (Nominal):	36W, 40W, 70W, 80W
Input Voltage:	120-277V
Efficacy@4000K	70
Lumen Output	2520, 2800, 4900, 5600
CRI	90
Working Temperature:	-4-104°F (-20-40°C)

Note:

1. The lumen output is for the fixture without acoustic. The data for acoustic may vary based on different acoustic fiber colors. Please contact Customer Service if need the lumen output for acoustic version.
2. The lumen outputs for 70W and 80W are calculated.

36W

D: 23.6"(600mm)
 H: 1.3"(32mm)
 C: 1.4"(35mm)
 A: 10.0"(250mm)
 B: 1.38"(35mm)

40W

D: 35.4"(900mm)
 H: 1.3"(32mm)
 C: 1.4"(35mm)
 A: 10.0"(250mm)
 B: 1.38"(35mm)

70W

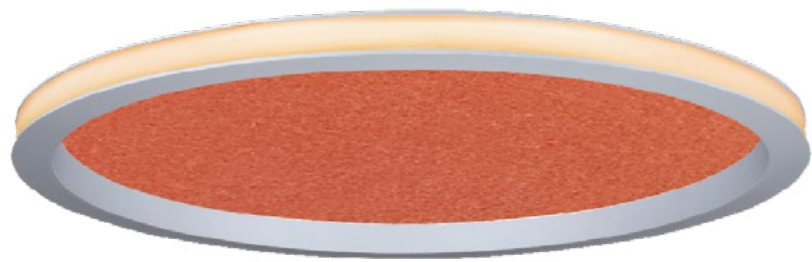
D: 47.2"(1200mm)
 H: 1.3"(32mm)
 C: 1.4"(35mm)
 A: 10.0"(250mm)
 B: 1.38"(35mm)

80W

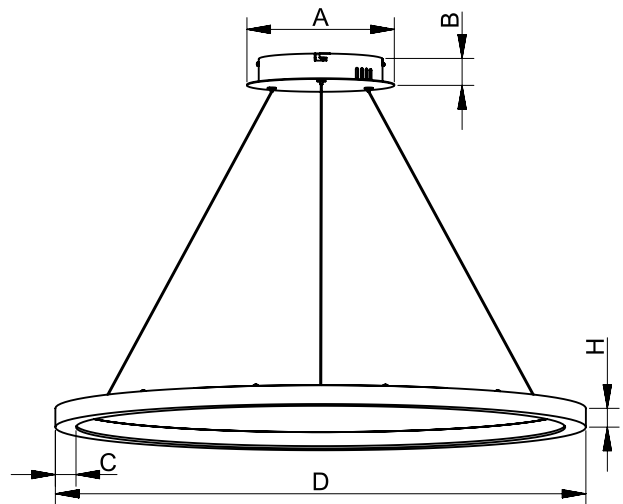
D: 59.1"(1500mm)
 H: 1.3"(32mm)
 C: 1.4"(35mm)
 A: 10.0"(250mm)
 B: 1.38"(35mm)



Pendant



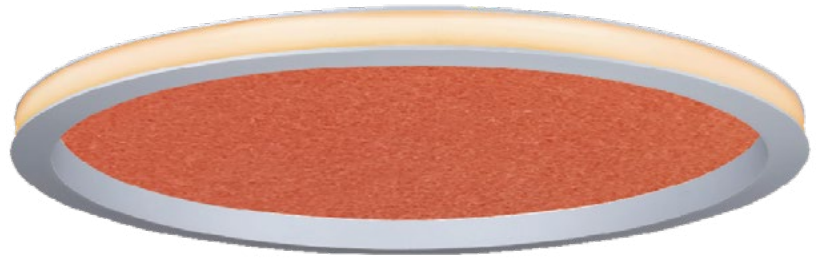
surface



Cable and wire cord length: 59" (1.5m)



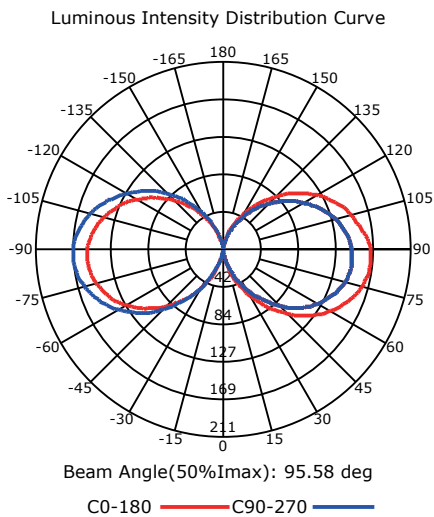
- Illuminating from the outer surface



COLOR OPTION



PHOTOMETRY



(VRO) Vicky Ring Downward Light

DESCRIPTION

The Vicky Ring light is a unique ring style light with an LED light source illuminating downward. It is available in sizes ranging from 23.6"(dia.) up to 196.9"(dia.). This design features aluminum body construction and an optional acoustic system that maximizes surface area to absorb sound waves and improve harmony in the installed space, providing a perfect integration of lighting and acoustic control.

- Fixtures in diameters from 23.6" through 196.9"
- Available in standard light and acoustic w/light
- Direct illuminating
- 35 acoustic felt colors available



Cable and wire cord length: 59" (1.5m)

Input Watts (Nominal):	40W, 70W, 80W, 100W, 120W, 200W, 400W
Input Voltage:	120-277V
Efficacy@4000K	70
Lumen Output	3400, 4250, 6800, 8500, 10200, 17000, 34000
CRI	90
Working Temperature:	-4-104°F (-20-40°C)

Note:

1. The lumen output is for the fixture without acoustic.

The data for acoustic may vary based on different acoustic fiber colors. Please contact Customer Service if need the lumen output for acoustic version.

2. Lumen outputs for 100W/200W/400W are calculated.

40W, 50W, 80W, 100W

D: 23.6"(600mm), 35.4"(900mm),
47.2"(1200mm), 59.1"(1500mm)

D1: 10.0"(250mm)

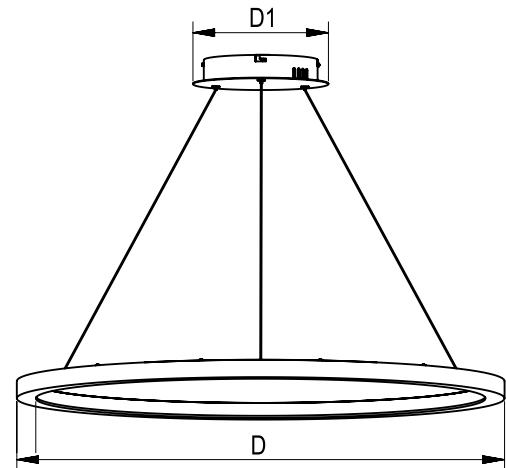
Driver Quantity Section Quantity: 40W(1,1),
50W(1,1), 80W(2,1), 100W(2,1),

120W, 200W, 400W,

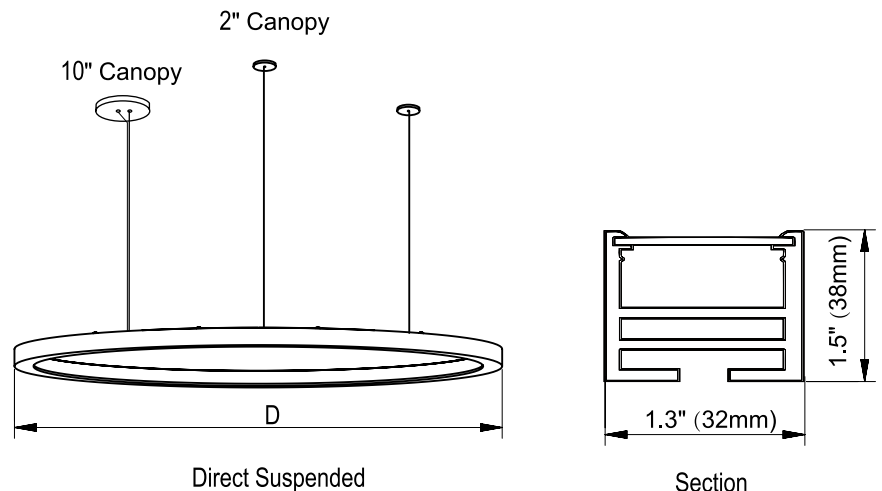
D: 78.8"(2000mm), 118.1"(3000mm),
196.9"(5000mm)

D1: 14.0"(350mm), 18.0"(450mm),
20.0"(500mm)

Driver Quantity Section Quantity: 100W(3,3),
120W(3,3), 200W(5,5), 400W(12,6),



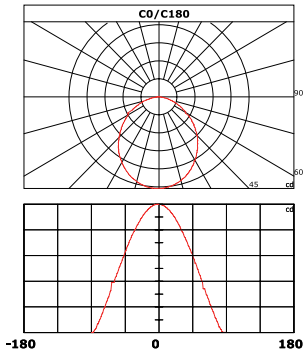
Central Canopy Suspended



Direct Suspended

Section

PHOTOMETRY



CIE Class: Direct
Measurement Flux: 6740.0 lm
Efficiency: 86.22 lm/W
Central Intensity: 2607.667cd
Max. Intensity: 2615.891cd
Field Angle(10%I_{max}): 155.94, 154.95



Vicky Ring Downward Acoustic Light

DESCRIPTION

The Vicky Ring light is a unique ring style light with an LED light source illuminating downward. It is available in sizes ranging from 23.6"(dia.) up to 196.9"(dia.). This design features aluminum body construction and an optional acoustic system that maximizes surface area to absorb sound waves and improve harmony in the installed space, providing a perfect integration of lighting and acoustic control.

- Fixtures in diameters from 23.6" through 196.9"
- Available in standard light and acoustic w/light
- Direct illuminating
- 35 acoustic felt colors available



Input Watts (Nominal):	40W, 70W, 80W, 100W, 120W, 200W, 400W
Input Voltage:	120-277V
Efficacy@4000K	70
Lumen Output	3400, 4250, 6800, 8500, 10200, 17000, 34000
CRI	90
Working Temperature:	-4-104°F (-20-40°C)

Note:

1. The lumen output is for the fixture without acoustic. The data for acoustic may vary based on different acoustic fiber colors. Please contact Customer Service if need the lumen output for acoustic version.
2. Lumen outputs for 100W/200W/400W are calculated.

40W, 50W, 80W, 100W

D: 23.6"(600mm), 35.4"(900mm),
47.2"(1200mm), 59.1"(1500mm)

D1: 10.0"(250mm)

Driver Quantity Section Quantity: 40W(1,1),
50W(1,1), 80W(2,1), 100W(2,1),

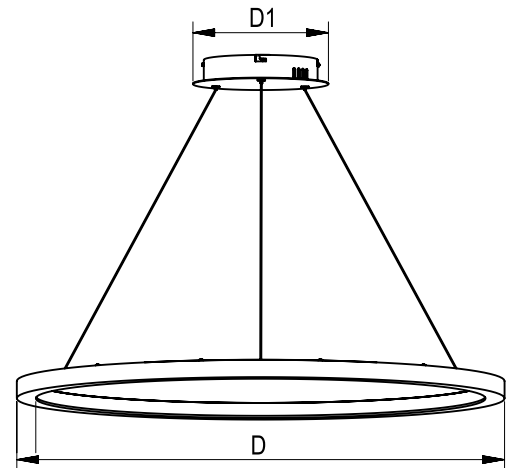
120W, 200W, 400W,

D: 78.8"(2000mm), 118.1"(3000mm),
196.9"(5000mm)

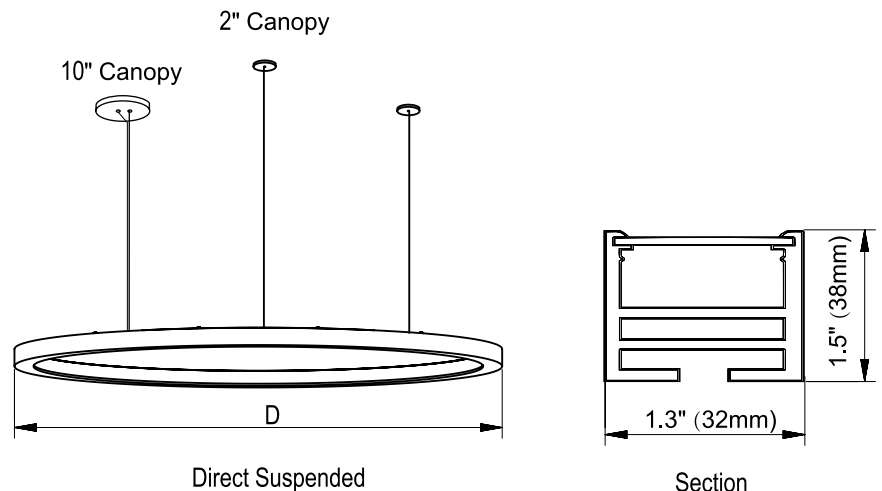
D1: 14.0"(350mm), 18.0"(450mm),
20.0"(500mm)

Driver Quantity Section Quantity: 100W(3,3),
120W(3,3), 200W(5,5), 400W(12,6),

Cable and wire cord length: 59" (1.5m)



Central Canopy Suspended



Direct Suspended

Section

COLOR OPTION





(VRO) Vicky Ring Downward Light

DESCRIPTION

The Vicky Ring light is a unique ring style light with an LED light source illuminating up and downward. It is available in sizes ranging from 23.6"(dia.) up to 196.9"(dia.) . Aluminum body constructions. A versatile architectural lighting solution, available as pendant mount.

- Fixtures in diameters from 23.6" through 196.9"
- Direct and indirect illuminating

Input Watts (Nominal):	65W, 80W, 120W, 135W, 150W, 300W, 480W
Input Voltage:	120-277V
Efficacy@4000K	90
Lumen Output	5500, 6800, 10200, 11400, 12750, 25500, 40800
CRI	90
Working Temperature:	-4-104°F (-20-40°C)

Note:

Lumen outputs for 120W/135W/150W/300W/480W are calculated.

65W, 80W, 120W, 135W

D: 23.6"(600mm), 35.4"(900mm), 47.2"(1200mm), 59.1"(1500mm)

D1: 10.0"(250mm)

Driver Quantity Section Quantity: 65W(2,1), 80W(2,1), 120W(3,1), 135W(3,1),

150W, 300W, 480W,

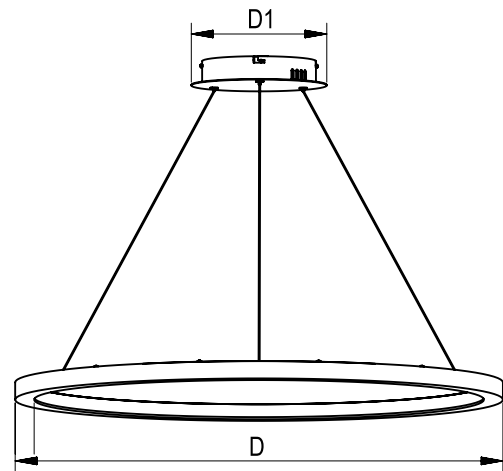
D: 78.8"(2000mm), 118.1"(3000mm), 196.9"(5000mm)

D1: 14.0"(350mm), 18.0"(450mm), 20.0"(500mm)

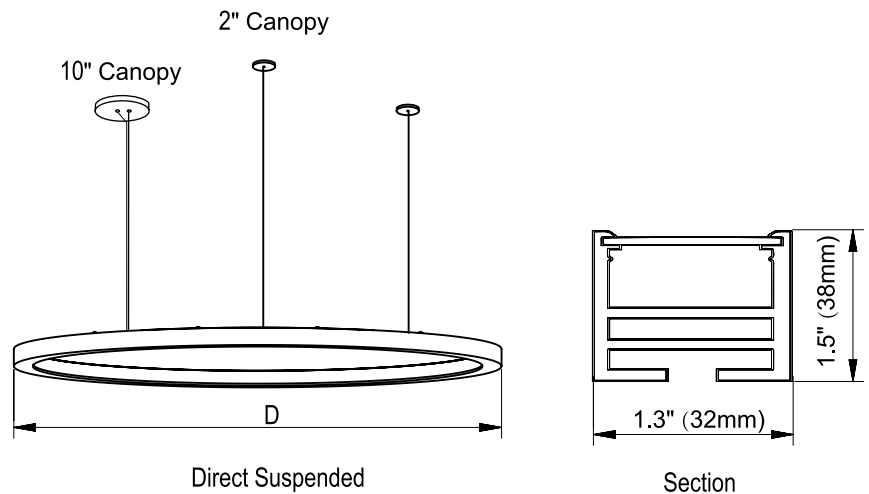
Driver Quantity Section Quantity: 150W(4,3), 300W(7,5), 480W(14,6)



Cable and wire cord length: 59" (1.5m)



Central Canopy Suspended



Direct Suspended

Section



PHOTOMETRY

