

SUITABLE FOR MODEL**SAFETY INSTRUCTION**

READ CAREFULLY BEFORE INSTALLING FIXTURE. PLEASE KEEP THIS MANUAL FOR FUTURE USING.

Fixtures must be wired in accordance with the National Electrical Code and all applicable local codes. Proper grounding is required for safety.

THIS PRODUCT MUST BE INSTALLED IN ACCORDANCE WITH THE APPLICATION CODE BY A PERSON FAMILIAR WITH THE CONSTRUCTION AND OPERATION OF THE PRODUCT AND THE HAZARDS INVOLVED. MAKE CERTAIN POWER OFF BEFORE INSTALLING OR MAINTAINING FIXTURE.

CHECK THAT VOLTAGE IS COMPATIBLE WITH FIXTURE DRIVER, USE APPROVED CONNECTORS FOR ALL ELECTRICAL CONNECTIONS.

MAINTENANCE CAUTION

1. Review the diagrams before beginning, and make sure fixture is grounded properly.
2. For lighting controls, using functioning correctly.
3. Turn power off and wait for fixture cooling to operate.
4. Maintenance must be done by professionals.

WIRE CONNECTION**WARNING**

1. Make certain power is OFF before installing or maintaining fixture.
2. Risk of fire or electric shock. Suitable for Damp locations.
3. Suitable for 9/16" or 15/16" flat Tee Grid in Insulated Ceilings

Voltage input: 120-277V 50/60 Hz

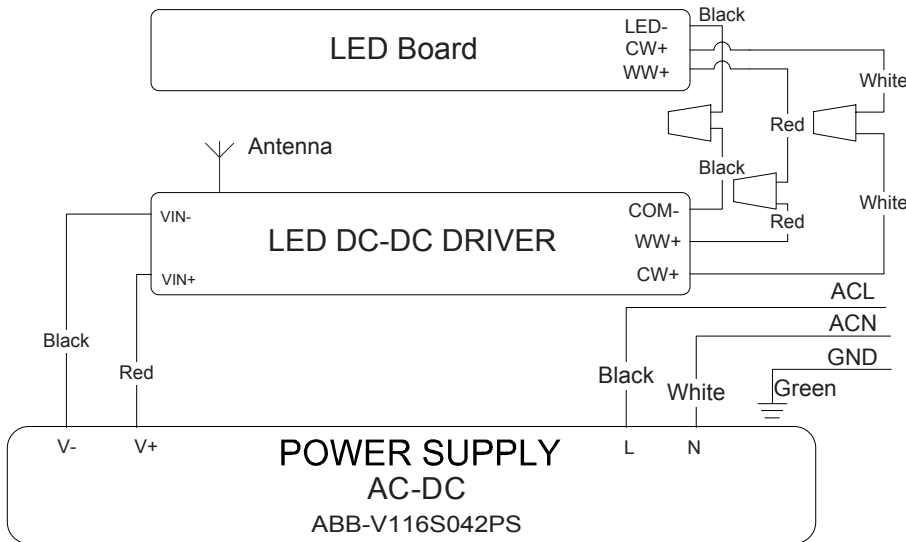
Operating temp: -4°F to 104°F

**Consult with dimmer control manufacturer's wiring instructions

FOR THE LED DRIVER:

Universal voltage driver permits operation at 120V thru 277V, 50 or 60Hz

1. Connect the (+) supply lead to the BLACK lead on the driver
2. Connect the (-) supply lead to the WHITE lead on the driver
3. Connect GREEN(GROUND) supply lead to GREEN(GROUND) fixture leads



INSTALLATION

RECESSED CEILING MOUNT

1. Rotate and place the fixture into the ceiling grid.
2. Bend the grid clip (4) against the ceiling grid to secure the fixture.
3. Bend the support wire clip. Make support wires (supplied by others) get through support wire hole.
4. Make sure that the orientation of access plate faces an accessible tile to make electrical splices.
5. Remove the access plate by taking of the screw. Knock out the conduit knockouts to make input conduit to get through.
6. Connect wires according to wiring diagram. Push all wires back into the splice box. Be careful not to pinch wires.
7. Put the access plate back by tightening the screw.

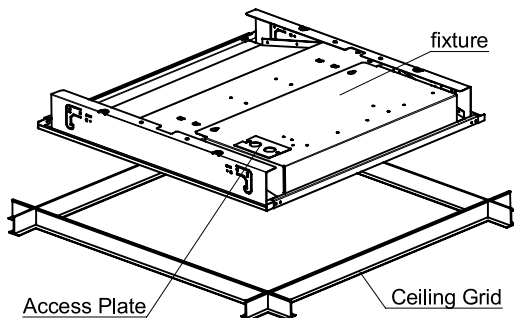


fig.1

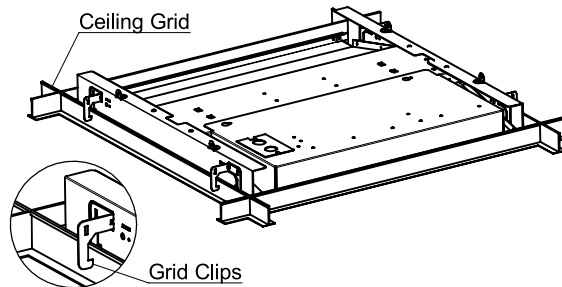


fig.2

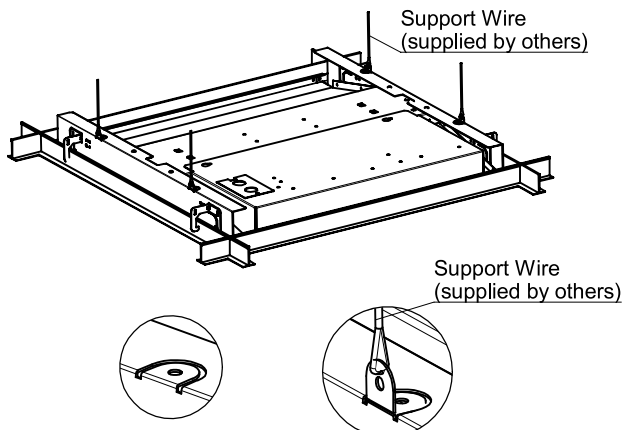


fig.3

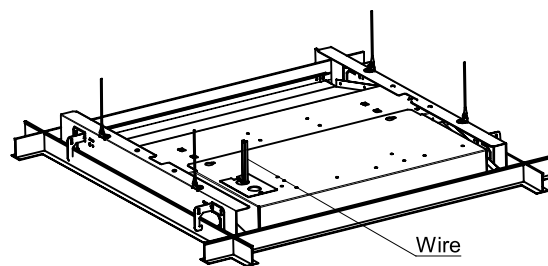


fig.4

HCP APPLICATION

HCP function can be triggered with anyone of following control systems. These control system devices need to be bought separately.

REMOTE CONTROLLER CONTROL SYSTEM

1. ON/OFF by traditional wall switch or remote controller
2. Dimming and CCT tuning (2700K-6500K) by remote controller



Remote Controller

WI-FI + TABLET CONTROL SYSTEM

1. ON/OFF by traditional wall switch or tablet
2. Dimming and CCT tuning (2700K-6500K) by smart phone or tablet
3. Dynamic CCT tuning (2700K-6500K) and different light scenes control by smart phone or tablet.



Wi-Fi Controller

Notes:

1. Maximum communication distance for the Wi-Fi Controller is 49ft (15m line of sight).
2. Please refer to the instruction/manual of different control systems for details.

FCC NOTICE

CAUTION: Changes or modifications not expressly approved could void your authority to use equipment.

This device complies with part 15 of the FCC Rules. Operation is subject to the following two conditions:

(1) This device may not cause harmful interference, and (2) this device must accept any interference received, including interference that may cause undesired operation.

This equipment has been tested and found to comply with the limits for a Class A digital device, pursuant to part 15 of the FCC Rules. These limits are designed to provide reasonable protection against harmful interference when the equipment is operated in a commercial environment. This equipment generates, uses, and can radiate radio frequency energy and, if not installed and used in accordance with the instruction manual, may cause harmful interference to radio communications. Operation of this equipment in a residential area is likely to cause harmful interference in which case the user will be required to correct the interference at his own expense.

CAN ICES-003 (A)/NMB-003 (A)