

JASPER MAGNETIC TRACK LIGHT

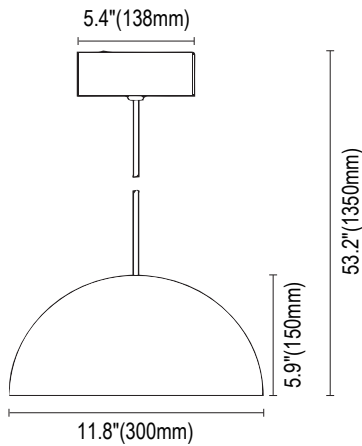
GENERAL SPECIFICATION

Our Jasper Magnetic Track Light is designed for decorative and general lighting. Different inner and outer finish color. Semi spherical shape yields a smooth uniform light output, The fixture is available as pendant mounted to our 24V magnetic track system.



CCT: 2700K/3000K/4000K
CRI: RA90
DIM: Triac,0/1-10V,
Installation: Magnetic
Environment: Indoor

DIMENSION



Ordering Information

Example: JAS10-3090-24V-80-MTM-GDBK

Series	Watts	- CCT&CRI	- Voltage	- Beam Angle	- Installation	- Inner and Outer Shade Color
JAS	10 - 10W	- 2790 - 2700K 90Ra 3090 - 3000K 90Ra 4090 - 4000K 90Ra	- 24V-24Vdc ¹	80 - 80 degree	MTM - Magnetic Track Mount	GDBK - Golden Inner Shade and Black Outer Shade WHBK - White Inner Shade and Black Outer Shade WHWH - White Inner Shade and White Outer Shade

Notice:

1. The fixture is used for 24V magnetic track system.
2. Standard Finish is black. Custom colors might be available for an additional fee. Please check with Customer Service for more information.

**Golden Inner Shade
Black Outer Shade**



**White Inner Shade
Black Outer Shade**



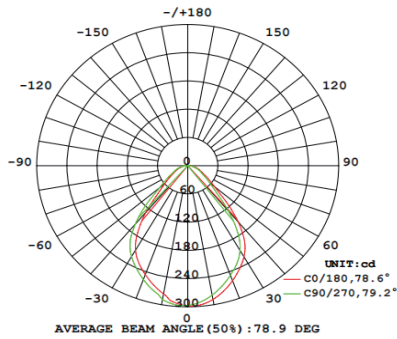
**White Inner Shade
White Outer Shade**



PHOTOMETRY

All published luminaire photometric testing performed to IESNA LM-79-08 standards by a NVLAP certified laboratory.

LUMINOUS INTENSITY DISTRIBUTION DIAGRAM



PERFORMANCE DATA

Lumen values are estimated with LED data sheet.

Watts	Shade Color	Lumen Output	CRI	CCT
10	Golden Inner Shade Black Outer Shade	460	90	3000K
10	White Inner Shade Black Outer Shade	500	90	3000K
10	White Inner Shade White Outer Shade	500	90	3000K

Warranty

Five year limited warranty.

* Specifications subject to change without notice.