



## ARC LINEAR PENDANT



### PRODUCT DESCRIPTION

The ARC suspended linear fixture is designed to deliver direct and indirect lighting to commercial spaces. Aluminum louver optical assembly delivers unique beam angles and reduces glare. 3500K, 4000K and 5000K are in one. Sensor and emergency back-up optional. The ARC suspended linear fixture is available in standard lengths of 4' and can be joined together in seamless runs.

### FEATURE

- Aluminum louver and no louver design
- 3500K, 4000K and 5000K are in one
- Direct and indirect distribution
- Sensor and emergency back-up optional

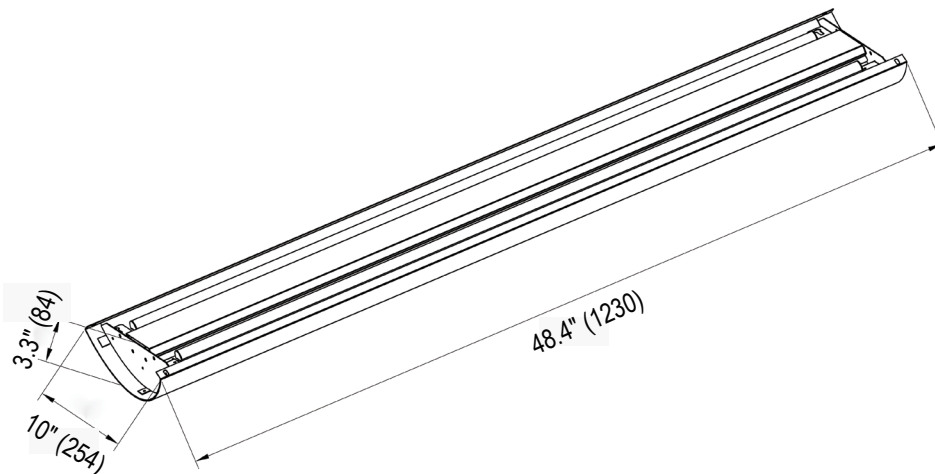
### ELECTRICAL SYSTEM

- Input Voltage: 120-347V, 50/60Hz
- 0-10V Dimming optional
- Minimum Ambient -20°C, Maximum Ambient is 40°C  
Power Factor: > 0.9 at full load
- Total Harmonic Distortion: < 20% at full load

### SPECIFICATION

L X W X H  
48.4" X 10" X 3.3"

Net Weight: 11lbs/5kg



### PERFORMANCE

CRI

80

CCT

3500K, 4000K, 5000K selectable

Dimming

0-10V Dimming

Projected Lifetime

L70 - 100,000 Hours

Working Temperature

-4-104°F (-20-40°C)

Certifications

- cULus listed
- Suitable for dry locations
- RoHs compliant

## Ordering Information

### Example: ARC1260SW8-LV

Series	Length	Watts	CCT	Voltage	Lens	Controls	Finish
ARC	12- 4FT	60- 60W	SW- 3500K/4000K/ 5000K selectable	8- 120-347V	- LV - Louver NLV - No Louver	- Blank - None MSW - Microwave Dimming Sensor <sup>1</sup> EBU - Emergency Battery Back-up <sup>2</sup>	- Blank - White

#### Notice:

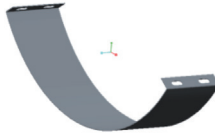
1. Microwave dimming sensor, for mounting height 20ft (6m) max. Dimming default setting is Bi-Level dim and dimming to 30%. Other dimming levels, ON/OFF function and daylight sensor can be set by the remote controller RC-100.
2. Emergency battery back-up is for ambient temperatures of 32°F -104°F (0 °C -40°C ).

\* White finish is standard. Custom color is available for a premium setup fee. Consult customer service for additional information.

### Accessories (Ordered separately)



**90535**  
RC-100  
Remote control for MSW



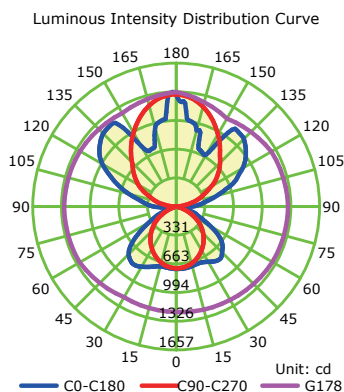
ARC- CRMK  
Continuous Run Mount Kits



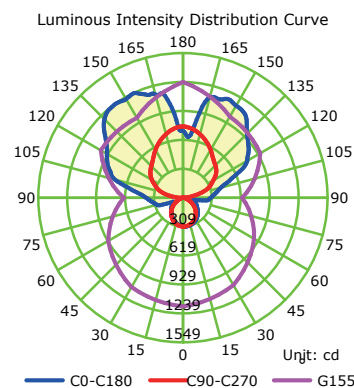
BRIT/ARC- PMK  
Pendant Mount Kits

## PHOTOMETRY

All published luminaire photo metric testing performed to IESNA LM-79-08 standards by a NVLAP certified laboratory. IESNA LM-79-08 specifies the entire luminaire as the source resulting in a fixture efficiency of 100%. Result may vary per actual order.



Uplight 63% / Downlight 37%  
**With Louver**



Uplight 80% / Downlight 20%  
**Without Louver**

## PERFORMANCE DATA

### LUMEN OUTPUT

Lumen values are measured by third party certified laboratories performed in accordance with IESNA LM-79-08 as well as Lighting Facts listed.

Watts	Lens	Lumen Output	AC Input 120V	CCT	CRI	LPW
60	No Louver	<b>3600</b>	0.50A	4000K	80	60
60	With Louver	<b>5400</b>	0.50A	4000K	80	90

## PIR Dimming SENSOR SETTING (BRI820-M4)

By selecting the combination on the DIP switch, sensor data can be precisely set for each specific application.

The sensor setting also can be done by a remote control (RC-100) which need to be bought separately.

	1	2	
I	↓	↓	20%
II	↓	↑	50%
III	↑	↓	75%
IV	↑	↑	100%

### Sensitivity

Sensitivity can be reduced by selecting the combination on the DIP switches to fit precisely each application .

**Default Setting: 100%**

	3	4	
I	↓	↓	10 S
II	↓	↑	1 Min
III	↑	↓	5 Min
IV	↑	↑	15 Min

### Hold time

Refers to the time period the lamp remains at 100% illumination after no motion detected.

**Default Setting: 1min**

	5	6	
I	↓	↓	☀
II	↓	↑	10 Lux
III	↑	↓	30 Lux
IV	↑	↑	50 Lux

### Daylight sensor

The sensor can be set to only allow the lamp to illuminate below a defined ambient brightness threshold.

**Default Setting:** ☀

	7	8	
I	↓	↓	0%
II	↓	↑	10%
III	↑	↓	30%
IV	↑	↑	50%

### Stand-by dimming level

The low light level you would like to have after the hold time in the long absence of people.

**Default Setting: 30%**

	9	10	
I	↓	↓	+ ∞
II	↓	↑	1 Min
III	↑	↓	30 Min
IV	↑	↑	60 Min

### Stand-by time

Refers to the time period the lamp remains at a low light level before it completely switches off in the long absence of people. When set to “+∞” mode, the low light is maintained until motion is detected

**Default Setting: 30Min**

## Warranty

Five year limited warranty.

Notes: Specifications subject to change without notice.