

SUITABLE FOR MODEL



SAFETY INSTRUCTION



READ CAREFULLY BEFORE INSTALLING FIXTURE. PLEASE KEEP THIS MANUAL FOR FUTURE USE.

Fixtures must be wired in accordance with the National Electrical Code and all applicable local codes. Proper grounding is required for safety.

THIS PRODUCT MUST BE INSTALLED IN ACCORDANCE WITH THE APPLICATION CODE BY A PERSON FAMILIAR WITH THE CONSTRUCTION AND OPERATION OF THE PRODUCT AND THE HAZARDS INVOLVED.

MAKE CERTAIN POWER IS OFF BEFORE INSTALLING OR MAINTAINING FIXTURE.

CHECK THAT VOLTAGE IS COMPATIBLE WITH FIXTURE DRIVER. USE APPROVED CONNECTORS FOR ALL ELECTRICAL CONNECTIONS.

MAINTENANCE CAUTION



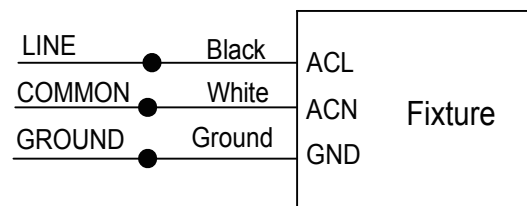
1. Review the wire connection before beginning, and make sure fixture is grounded properly.
2. For lighting controls, follow control instructions carefully.
3. Turn power off and wait for fixture to cool before performing maintenance.
4. Maintenance must be done by professionals.

WIRE CONNECTION

Voltage permits operation at 120VAC thru 277VAC, 50 or 60 Hz.

Make the following Electrical Connection:

- a). Connect the voltage supply line to ACL in Black.
- b). Connect the voltage supply Neutral to ACN in White.
- c). Connect ground lead to the supply ground lead.
- d). If Dimming is an option; connect the purple dimming positive lead to the supply dimming positive lead. If dimming is not being used, ensure to cap off the purple lead.
- e). If Dimming is an option; connect the grey dimming negative lead to the supply dimming negative lead. If dimming is not being used, ensure to cap off the grey lead.



INSTALLATION

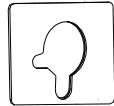
WARNING

Risk of injury or damage. Make certain power is OFF before installing or maintaining fixture.

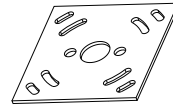
ACCESSORY PACK



WIRE NUT x 3



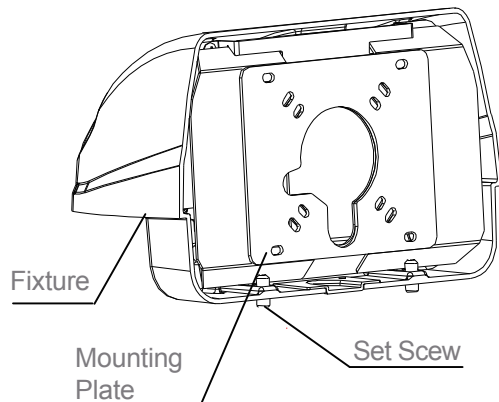
15W-42W GASKET x1



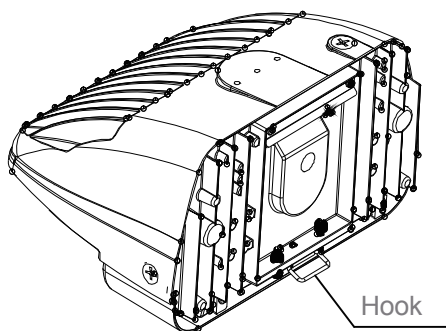
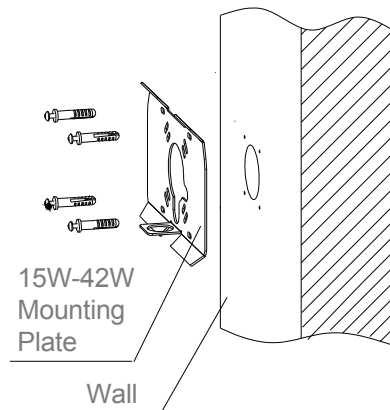
60W-120W GASKET x1

WALL MOUNT

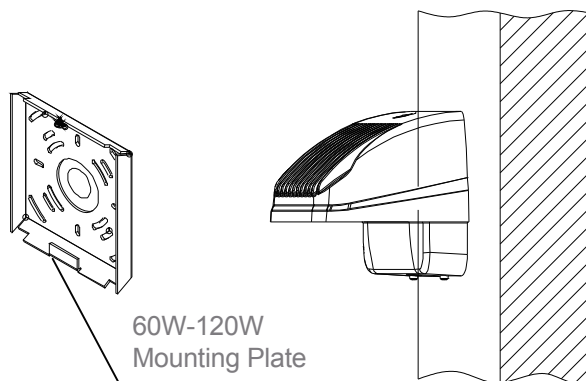
1. Separate fixture body from Mounting Plate by removing (2) Set Screws.
2. Attach the supplied gasket to the Mounting Plate and secure them to Electrical Junction Box (by others) using appropriate hardware (supplied by others).
3. Hang the fixture to the Mounting Plate with Hook. Make proper electrical connections (black to hot "L", white to neutral "N", ground to "GND") with wire nuts provided.
4. Push all wires and terminals into the J-Box. Then attach the Fixture to the Mounting Plate with the removed (2) Set Screws. All wires and terminals need to be pushed into Electrical Junction Box and no wires get pinched.
5. Seal around the top and side perimeter between the fixture and the wall surface with weather resistant caulking.



15W to 42W Drawing

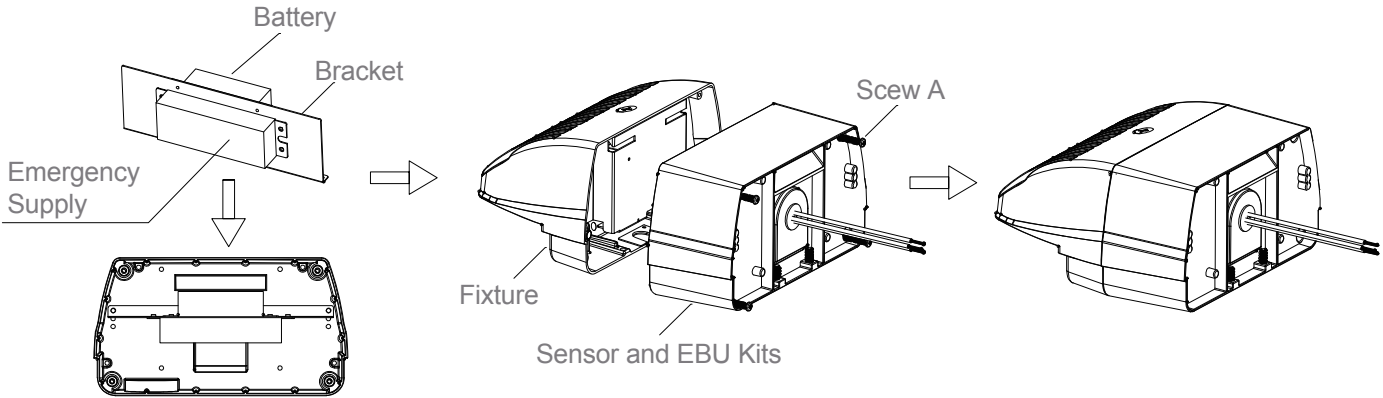


60W to 120W Drawing



PIR SENSOR AND EBU KITS MOUNT FOR 30W AND 42W

1. Connect the wire according to following wiring diagram.
2. Secure the sensor and EBU Kits together with sealing ring to the Fixture by Scew A(4).



PIR DIMMING SENSOR SETTING (S618-P-DR-LS2)

Sensor data can be precisely set for each specific application by a remote controller which need to be bought separately.

Sensitivity

Sensitivity can be reduced by selecting the combination on a remote controller to fit precisely each application .

Default Setting: 100%

Hold time

Refers to the time period the lamp remains at 100% illumination after no motion detected.

Default Setting: 1min

Daylight sensor

The sensor can be set to only allow the lamp to illuminate below a defined ambient brightness threshold.

Default Setting: 30lux

Stand-by dimming level

The low light level you would like to have after the hold time in the long absence of people.

Default Setting: 30%

Stand-by time

Refers to the time period the lamp remains at a low light level before it completely switches off in the long absence of people. When set to " +∞ " mode, the low light is maintained until motion is detected

Default Setting: +∞