



ABOVE ALL
www.AboveAllLighting.com

V-LINE WALL PACK



ABOVE ALL: 1135 Thomas Busch Memorial Highway,

Pennsauken, NJ 08110

Tel: 866-222-8866

Email : info@abovealllighting.com

V-LINE WALL PACK

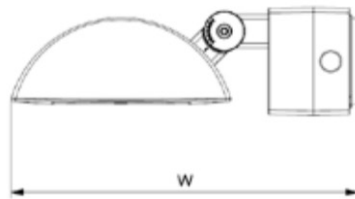
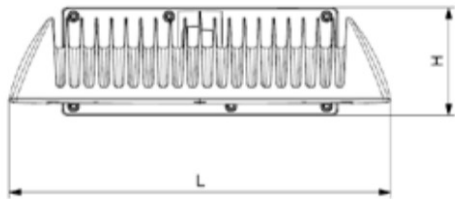
INSPIRATION DESIGN

V-Line born in combination of sport car



V-LINE WALL PACK

DIMENSION



Without EBU and Motion Sensor

26W & 38W

Length: 10.12"

Width: 9.86"

Height: 4.69"

Max. Weight: 8.8 lbs

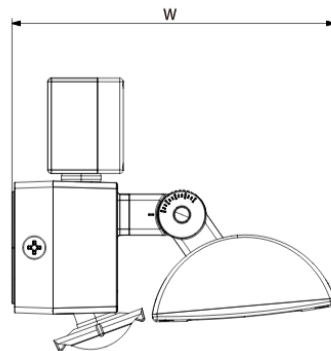
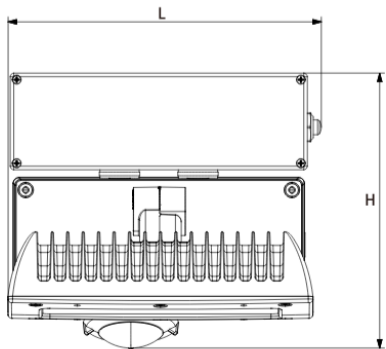
52W, 80W, 100W & 120W

Length: 15.32"

Width: 13.78"

Height: 4.4"

Max. Weight: 17 lbs



With EBU and Motion Sensor

26W & 38W

Length: 10.35"

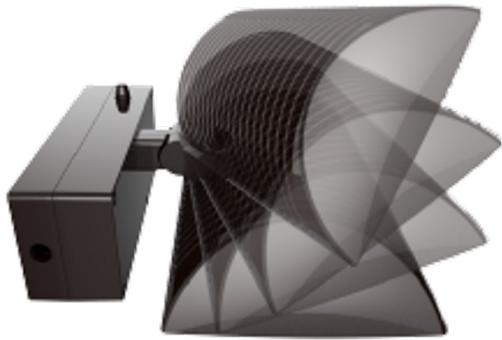
Width: 10.83"

Height: 9.24"

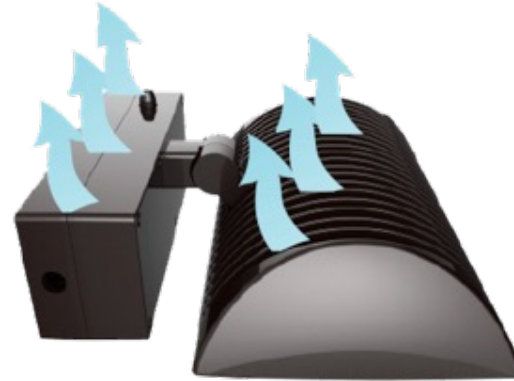
Max. Weight: 11.92 lbs

V-LINE WALL PACK

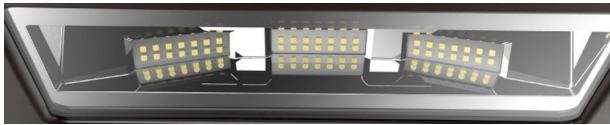
FEATURE



Aadjustable head, up and down light



Main body separates from the driver, better heat treatment



Tempered glass, doesn't fade and discolor



Motion sensor, emergency battery backup and photocell optional

V-LINE WALL PACK

CONTROLS



Motion Sensor



Photocell



Battery backup

Notes:

- Photo control optional for all watts
- Integrated motion sensor control optional(Only for 26W & 38W)
- Emergency battery backup optional(Only for 26W & 38W)

V-LINE WALL PACK

APPLICATIONS



ABOVE ALL: 1135 Thomas Busch Memorial Highway, Pennsauken, NJ 08110 Tel: 866-222-8866

V-LINE WALL PACK

APPLICATIONS



ABOVE ALL: 1135 Thomas Busch Memorial Highway, Pennsauken, NJ 08110 Tel: 866-222-8866



Thank you!