

IMPORTANT 

1. Read all instructions.
2. Install in accordance with national and local electrical code regulations.
3. This product is intended to be installed and serviced by a qualified, licensed electrician.
4. Do not install in wet locations. For dry and damp use only.
5. Turn off electrical power before installing or servicing fixture in any way.
6. To reduce the risk of fire and overheating, make sure all connections are tight.
7. Under no circumstances can the lighting fixture be covered with heat insulation gasket or similar materials.
8. The maximum connection of each input line is less than 40FT(1200CM) in 120AC, less than 80FT (2400CM) in 230AC, less than 100FT(3000CM) in 277AC.

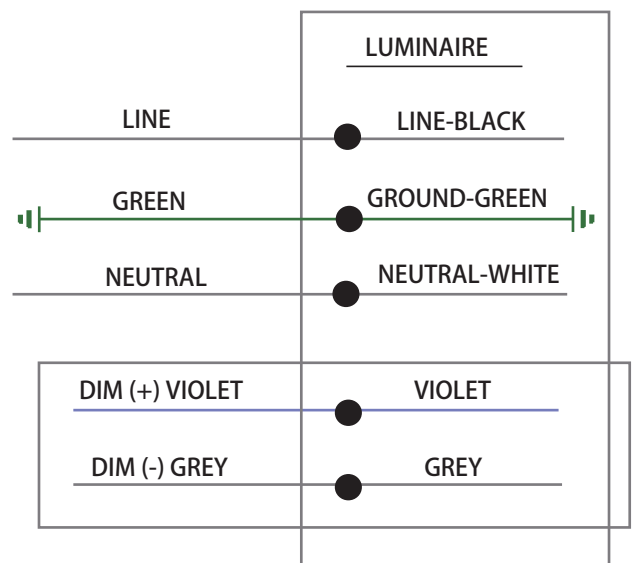
SHOCK HAZARD 

May result in serious injury or death.
Turn power OFF at circuit breaker prior to installation or servicing.

INSTALLATION

Universal Voltage permits operation at 120VAC thru 277VAC, 50 or 60 Hz.

- a. Connect the black luminaire lead to the supply lead.
 - b. Connect the white luminaire lead to the neutral supply lead.
 - c. Connect the green or green/yellow ground lead to the green supply lead.
- a. If Dimming is an option; connect the violet dimming positive lead to the supply dimming positive lead. If dimming is not being used, ensure to cap off the violet lead.
 - b. If Dimming is an option; connect the grey dimming negative lead to the supply dimming negative lead. If dimming is not being used, ensure to cap off the grey lead.



INSTALLATION

ATTENTION!

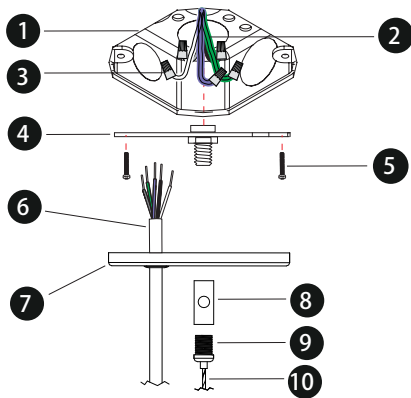
1. Leave the protective bag and protective films on the fixtures until construction and furniture are complete.
2. Fixture can be operated as normal with the bag on.

SHOCK HAZARD!

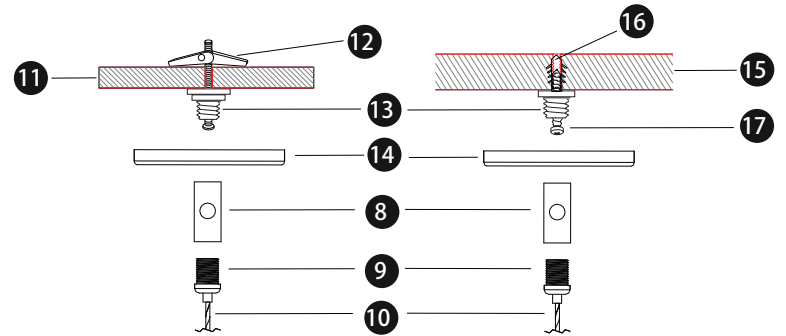
May result in serious injury or death. Turn power OFF at circuit breaker prior to installation or servicing.

DRY CEILING INSTALLATION

►► POWER FEED



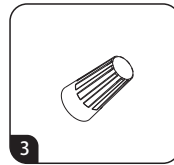
►► NON POWER SUSPENSION



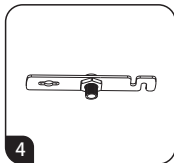
►► PARTS LIST

- 1 4" Octagon Junction Box (By Others)
- 2 Power Cord (By Others)
- 3 Wire Nut
- 4 Junction Box Crossbar
- 5 Screw PM4*22
- 6 Power Cord
- 7 4" Power Canopy Kit
- 8 Cable Holder
- 9 Strain Relief Thread Nut
- 10 Aircraft Cable
- 11 Drywall Ceiling (By Others)
- 12 Butterfly Drywall Anchor
- 13 Crimp Stud
- 14 2" Canopy
- 15 Solid Ceiling (By Others)
- 16 Anchor
- 17 Screw PA4*30

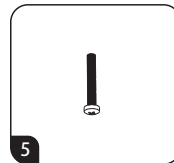
* Max Pendant Cable Length: 3.9ft (1300mm)



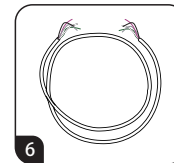
Wire Nut



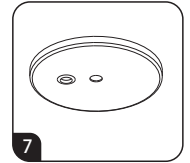
Junction Box Crossbar



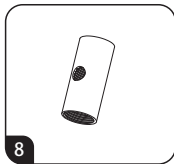
Screw PM4*22



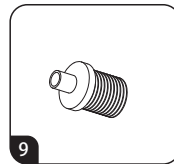
Power Cord



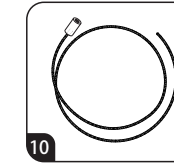
4" Canopy Power Feed



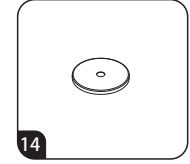
Cable Holder



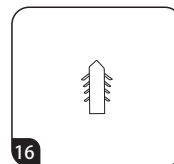
Strain Relief Thread Nut



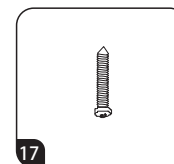
Aircraft Cable



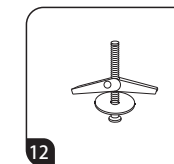
2" Canopy



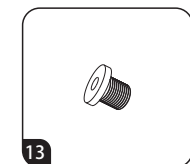
16



Screw PA4*30



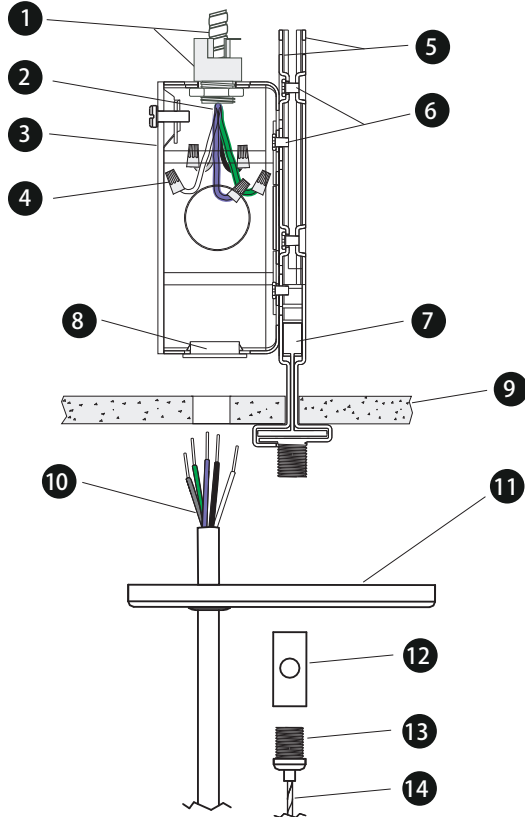
Butterfly Drywall Anchor



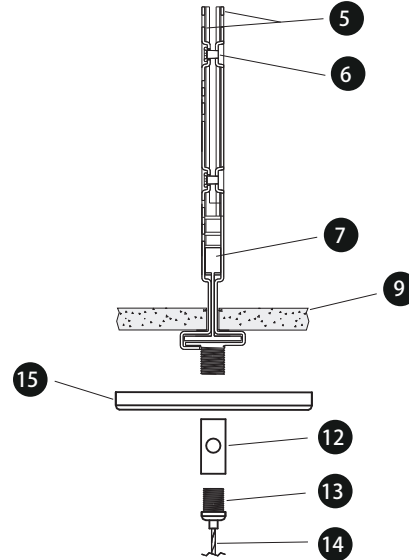
Crimp Stud

DROP CEILING INSTALLATION

▶▶ POWER FEED



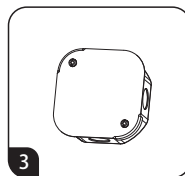
▶▶ NON POWER SUSPENSION



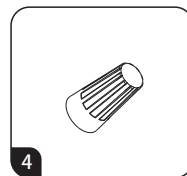
▶▶ PARTS LIST

- ① Armored Cable & Connector (By Others)
- ② Power Cord (By Others)
- ③ 4" Octagon Junction Box
- ④ Wire Nut
- ⑤ Assembled T-grid Clips
- ⑥ Screw 6#*4
- ⑦ T-grid (By Others)
- ⑧ Plastic Grommet
- ⑨ Ceiling Tile (By Others)
- ⑩ Power Cord
- ⑪ 4" Canopy Power Feed
- ⑫ Cable Holder
- ⑬ Strain Relief Thread Nut
- ⑭ Aircraft Cable
- ⑮ 2" Canopy

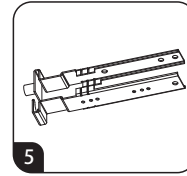
* Max Pendant Cable Length: 3.9ft (1300mm)



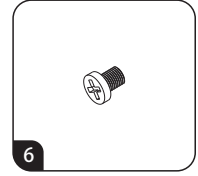
4" Octagon Junction Box



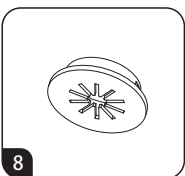
Wire Nut



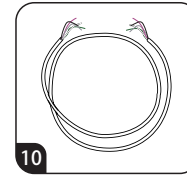
Assembled T-grid Clips



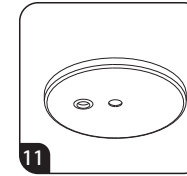
Screw 6#*4



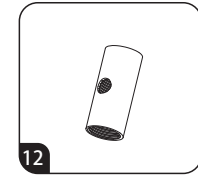
Plastic Grommet



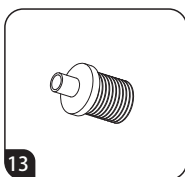
Power Cord



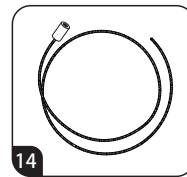
4" Canopy Power Feed



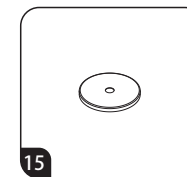
Cable Holder



Strain Relief Thread Nut



Aircraft Cable

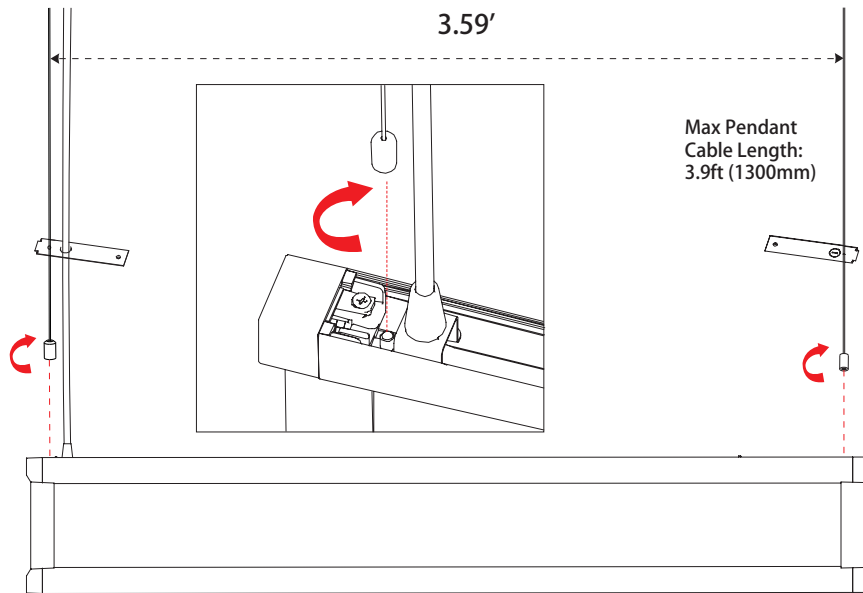


2" Canopy

INDEPENDENT INSTALLATION

► Step 1: Hang Luminaire

1-1: Screw both bottom parts of aircraft cables clockwise and secure them on the top of housing making sure they hang the lights.

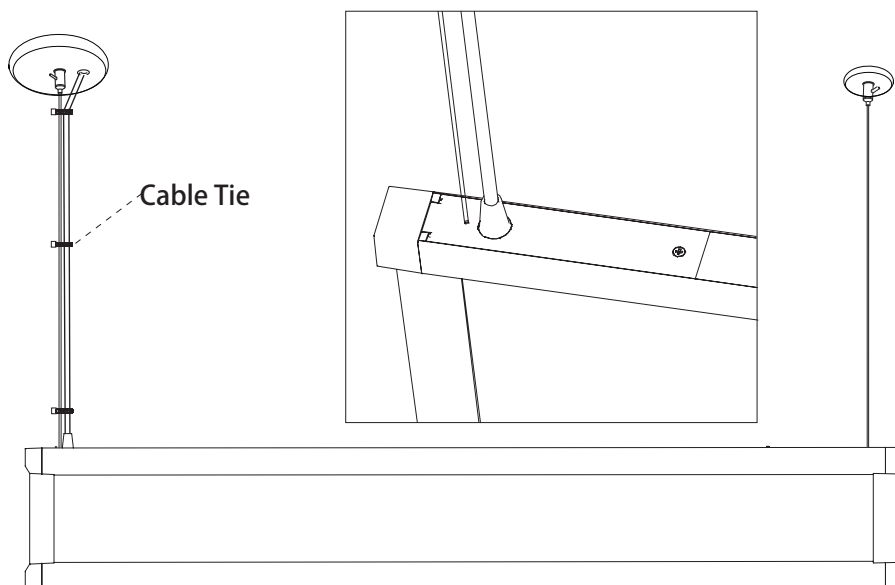


► Step 2: Complete And Remove Bag

2-1: Secure cover plates on both ends of the fixture.

2-2: Zip tight power cord & aircraft suspension cable with the cable tie.

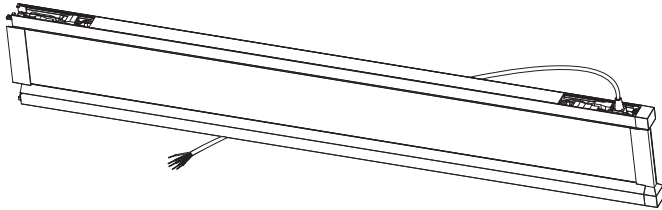
⚠ Leave the protective bag and protective films on the fixtures until construction and furniture are complete.



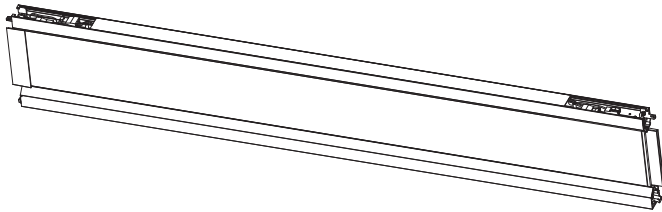
MULTIPLE LUMINAIRES INSTALLATION

► **Pre- installation: Disassemble luminaire's end cap as shown below**

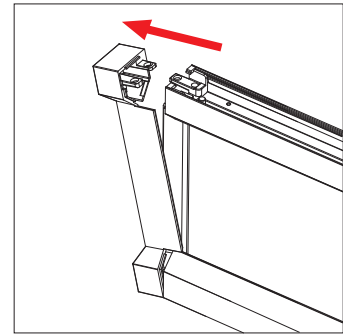
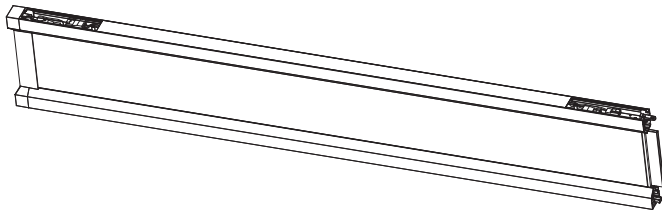
Start of run (SoR): Remove the end cap without power code;
Refer to : ①



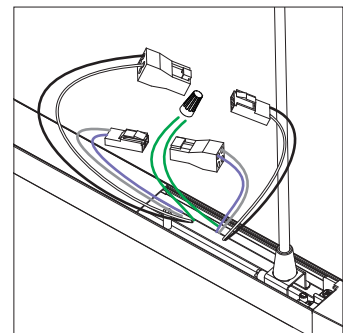
Middle of run (MoR): Remove both end caps
Refer to : ①②③④



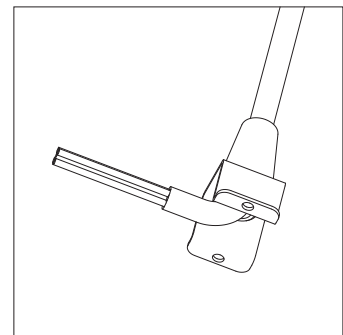
End of run (EoR): Remove the end cap with power code
Refer to : ②③④



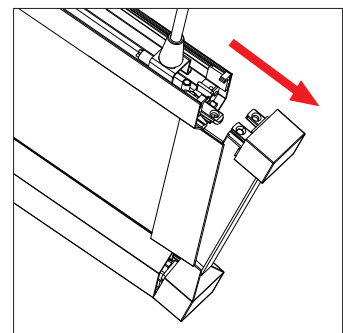
① Take off the end cap (Non-power feed) by screwdriver



② Pull out the AC cable by removing 2pcs screws.



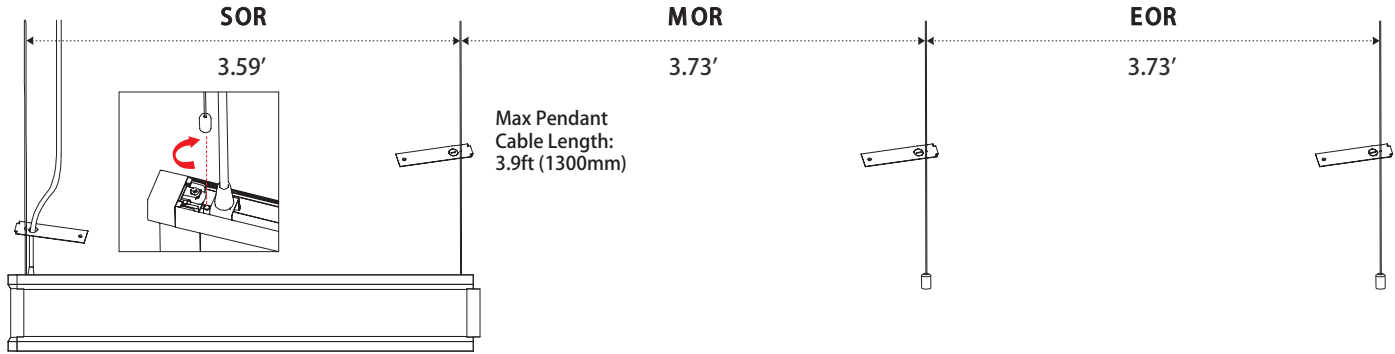
③ Take off the AC cable



④ Take off the end cap (Power feed) by screwdriver

► **Step 1: Hang luminaire and wiring - SoR**

Screw both bottom parts of aircraft cables clockwise and secure then on the top of housing making sure they hang the lights.



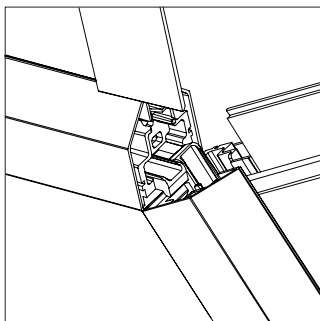
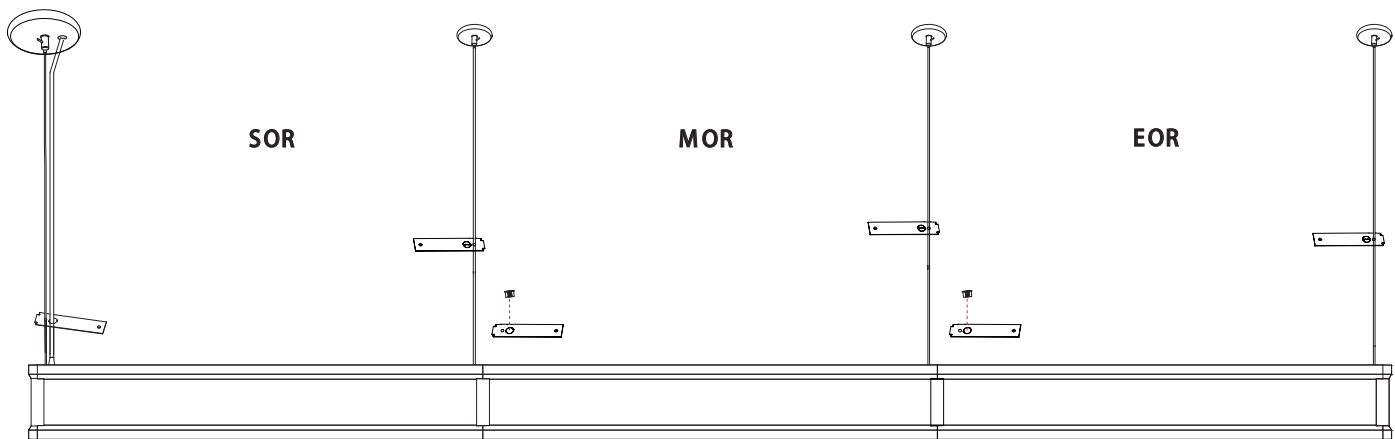
► **Step 2: Hang & Join Fixtures (MoR or EoR)**

2-1: Joint multiple fixtures together. All continuous runs can be hung one at a time, in order, starting with the SoR, then each fixture sequentially, finishing with the EoR.

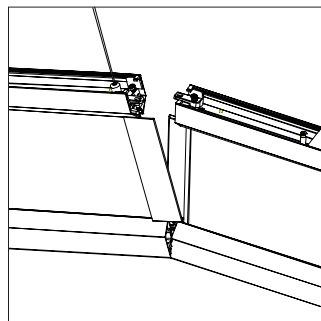
2-2: Adjust aircraft suspension cable with leveling tools.

▲ Adjust the height of luminaire. Luminaire can be raised by pulling cable through the gripper and can be lowered by depressing the top cylinder on the gripper which pulls the luminaire down.

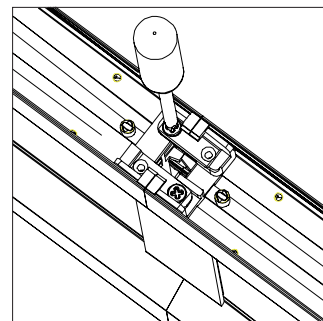
Repeat Hang/Join/Seam Finishing steps until Run is completed.



Align position



Slide fixtures together



Secure fixtures together via screwdriver

2-1

► **Step 3: Complete And Remove Bags**

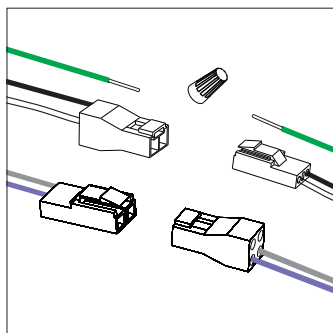
3-1: Connect internal harnesses

3-2: Secure cover plates on ends of the fixture.

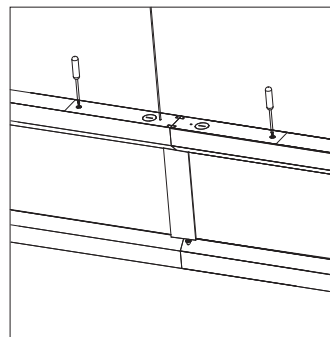
3-3: Zip tight power cord & aircraft suspension cable with the cable tie.

▲ Leave the protective bag and protective films on the fixtures until construction and furniture are complete.

**The maximum connection of each input line is less than 40FT(1200CM) in 120AC,
less than 80FT (2400CM) in 230AC, less than 100FT(3000CM) in 277AC.**



3-1



3-2