




! RISK OF FIRE AND ELECTRICAL SHOCK. FIXTURE MUST BE INSTALLED BY A QUALIFIED ELECTRICIAN ONLY IN ACCORDANCE WITH NATIONAL, LOCAL BUILDING AND ELECTRICAL CODES. DISCONNECT POWER AT ELECTRICAL PANEL BEFORE SERVICING.

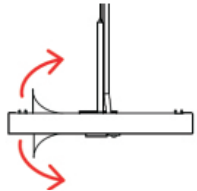
IMPORTANT

1. Read all instructions.
2. Install in accordance with national and local electrical code regulations.
3. This product is intended to be installed and serviced by a qualified, licensed electrician.
4. Do not install in wet locations. For dry and damp use only.
5. Turn off electrical power before installing or servicing fixture in any way.
6. To reduce the risk of fire and overheating, make sure all connections are tight.
7. Under no circumstances can the lighting fixture be covered with heat insulation gasket or similar materials.
8. Seamless continue runs per power feed:
 - 40W: Up to 10pcs in 120V AC, 20pcs in 230V AC and 25pcs in 277V AC
 - 54W: Up to 8pcs in 120V AC, 15pcs in 230V AC and 18pcs in 277V AC
 - 80W: Up to 5pcs in 120V AC, 10pcs in 230V AC and 12pcs in 277V AC

ATTENTION

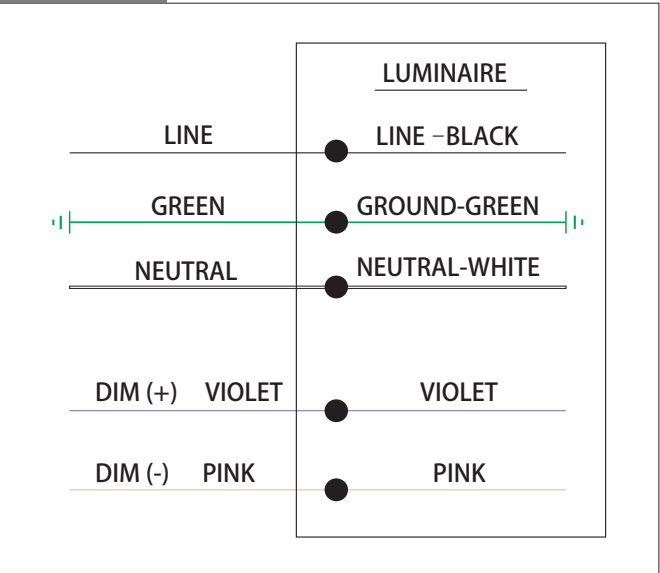


SHOCK HAZARD!
May result in serious injury or death.
Turn power OFF at circuit breaker prior to installation or servicing .



Once final building cleanup has been completed, remove remaining lens protective film.

WIRING

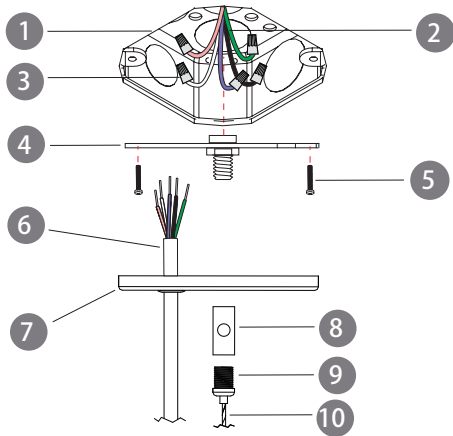


DRY CEILING PENDANT

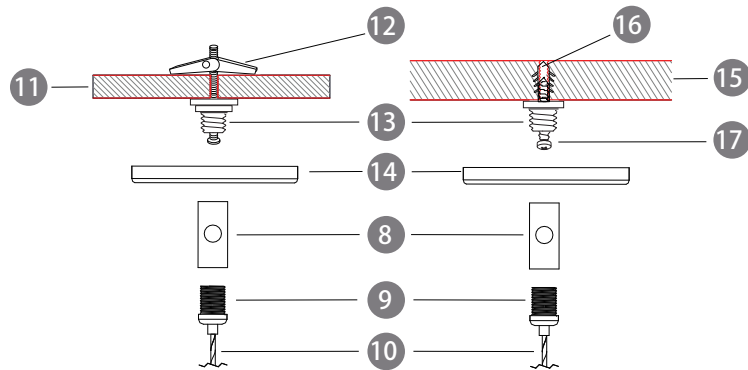


RISK OF FIRE AND ELECTRICAL SHOCK. FIXTURE MUST BE INSTALLED BY A QUALIFIED ELECTRICIAN ONLY IN ACCORDANCE WITH NATIONAL, LOCAL BUILDING AND ELECTRICAL CODES. DISCONNECT POWER AT ELECTRICAL PANEL BEFORE SERVICING.

POWER FEED



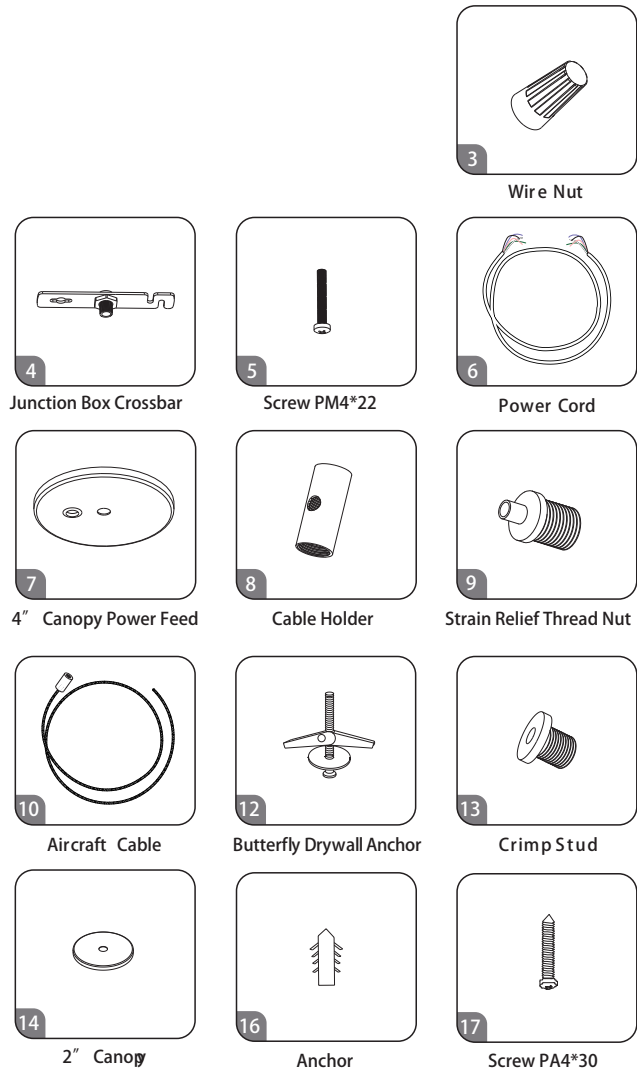
NON POWER SUSPENSION



PARTS LIST

- 1 4" Octog on Junction Box (By Others)
- 2 Power Cord (By Others)
- 3 Wire Nut
- 4 Junction Box Crossbar
- 5 Screw PM4*22
- 6 Power Cord
- 7 4" Power Canopy Kit
- 8 Cable Holder
- 9 Strain Relief Thread Nut
- 10 Aircraft Cable
- 11 Drywall Ceiling (By Others)
- 12 Butterfly Drywall Anchor
- 13 Crimp Stud
- 14 2" Canopy
- 15 Solid Ceiling (By Others)
- 16 Anchor
- 17 Screw PA4*30

* Max Pendant Cable Length: 3.9' (1300mm)

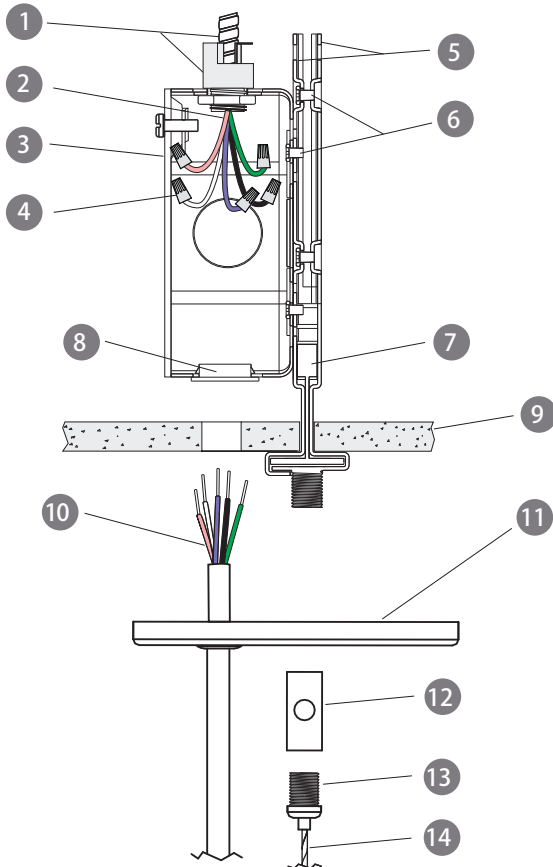


DROP CEILING PENDANT

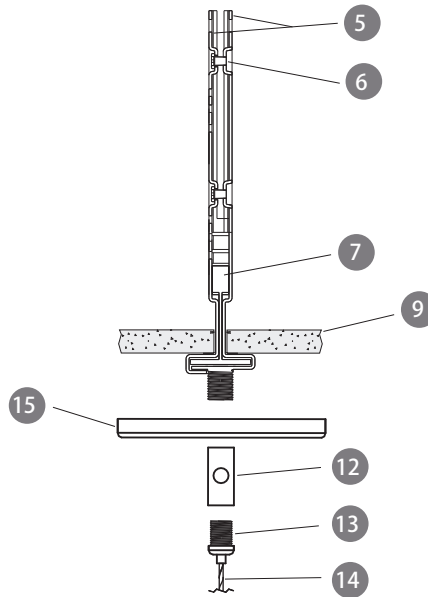


RISK OF FIRE AND ELECTRICAL SHOCK. FIXTURE MUST BE INSTALLED BY A QUALIFIED ELECTRICIAN ONLY IN ACCORDANCE WITH NATIONAL, LOCAL BUILDING AND ELECTRICAL CODES. DISCONNECT POWER AT ELECTRICAL PANEL BEFORE SERVICING.

POWER FEED



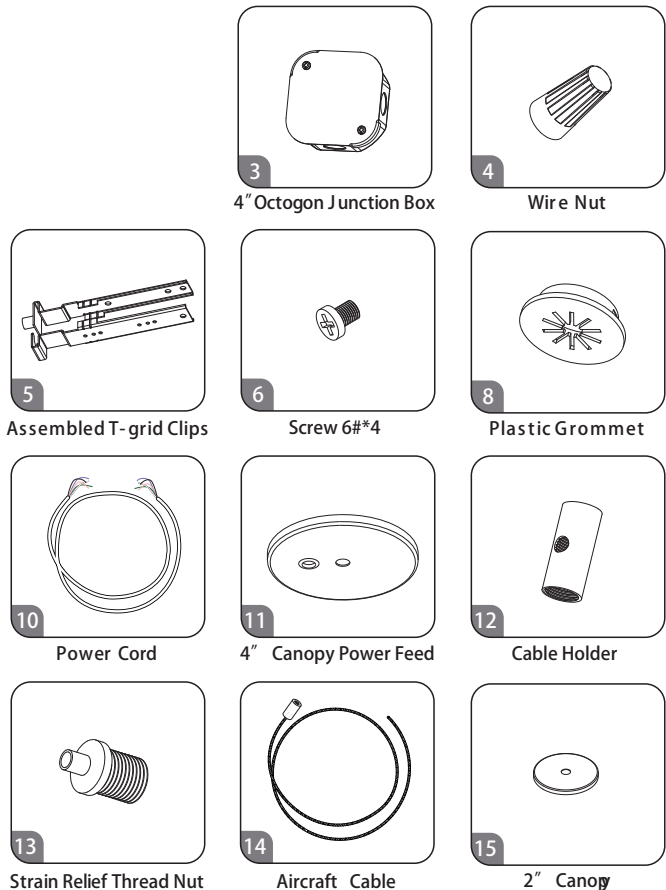
NON POWER SUSPENSION



PARTS LIST

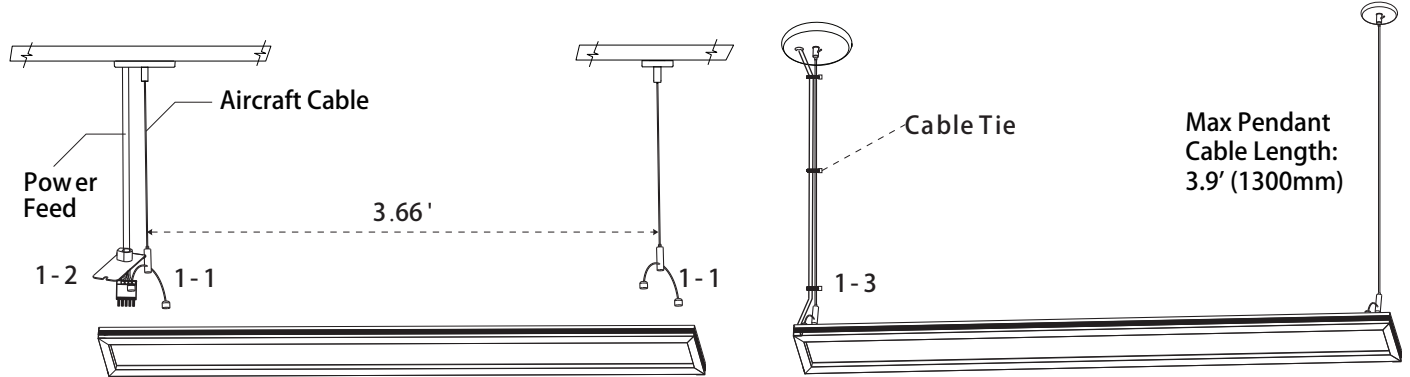
- 1 Armored Cable & Connector (By Others)
- 2 Power Cord (By Others)
- 3 4" Octagon Junction Box
- 4 Wire Nut
- 5 Assembled T-grid Clips
- 6 Screw 6#*4
- 7 T-grid (By Others)
- 8 Plastic Grommet
- 9 Ceiling Tile (By Others)
- 10 Power Cord
- 11 4" Canopy Power Feed
- 12 Cable Holder
- 13 Strain Relief Thread Nut
- 14 Aircraft Cable
- 15 2" Canopy

* Max Pendant Cable Length: 3.9' (1300mm)



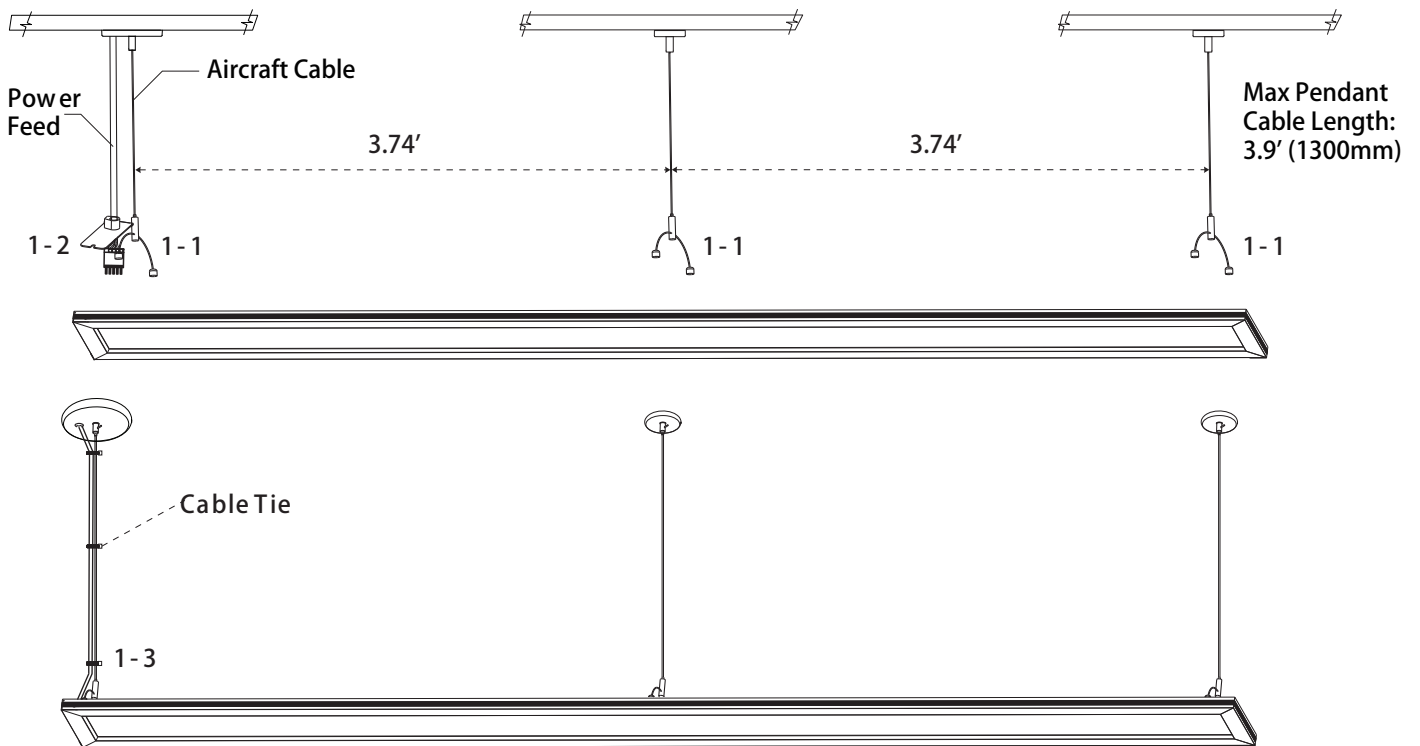
INDEPENDENT PENDANT

⚠ RISK OF FIRE AND ELECTRICAL SHOCK. FIXTURE MUST BE INSTALLED BY A QUALIFIED ELECTRICIAN ONLY IN ACCORDANCE WITH NATIONAL, LOCAL BUILDING AND ELECTRICAL CODES. DISCONNECT POWER AT ELECTRICAL PANEL BEFORE SERVICING.



- 1-1: Screw aircraft cables clockwise on the top of luminaire.
- 1-2: Connect the quick connectors properly.
- 1-3: Zip tight power cord & aircraft suspension cable with the cable tie if needed.

⚠ Adjust the height of luminaire . Luminaire can be raised by pulling cable through the gripper and can be lowered by depressing the top cylinder on the gripper which pulls the luminaire down .

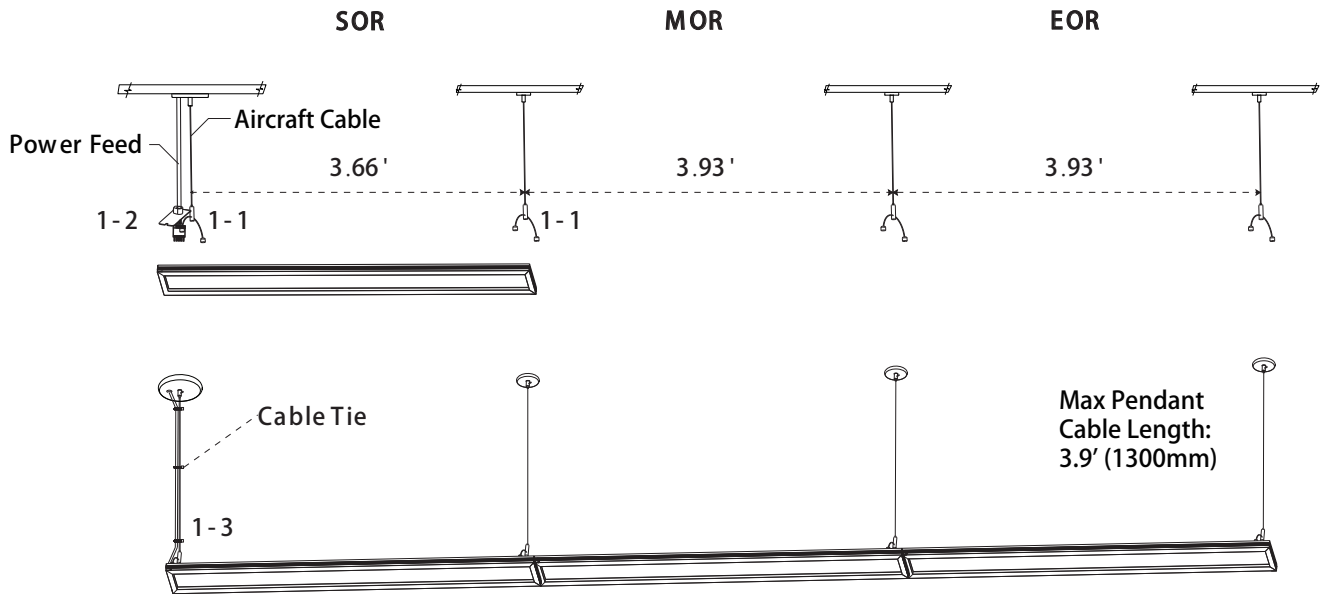


CONTINUOUS RUN PENDANT

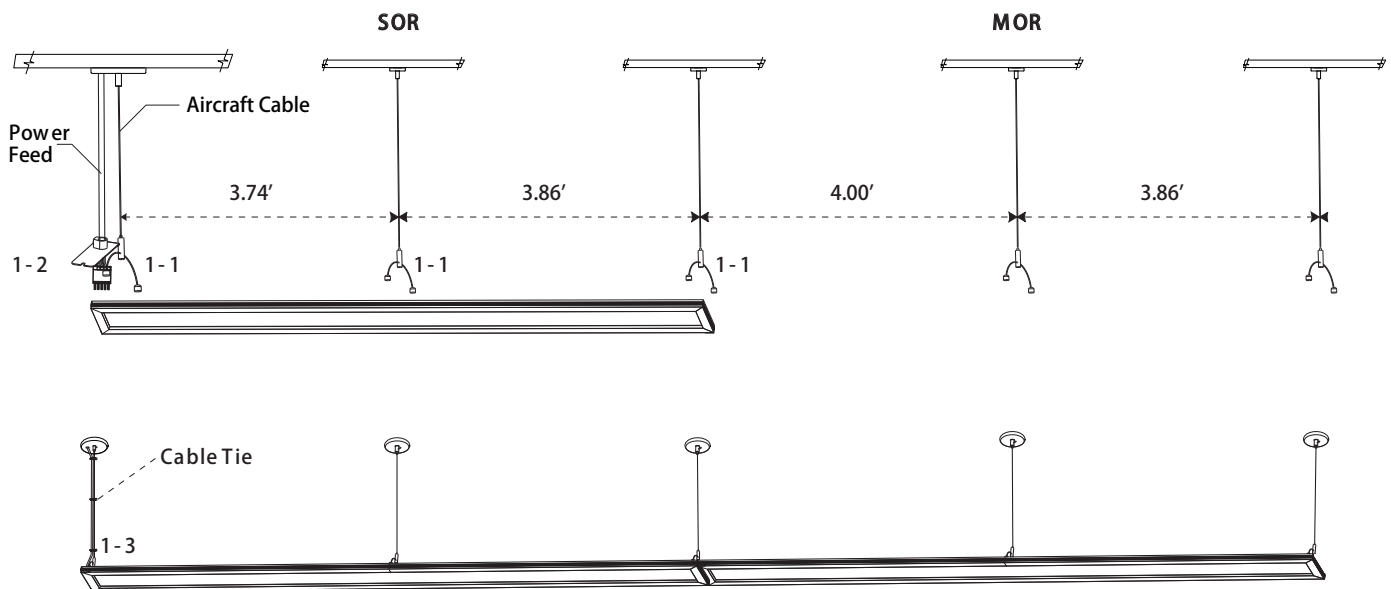


RISK OF FIRE AND ELECTRICAL SHOCK. FIXTURE MUST BE INSTALLED BY A QUALIFIED ELECTRICIAN ONLY IN ACCORDANCE WITH NATIONAL, LOCAL BUILDING AND ELECTRICAL CODES. DISCONNECT POWER AT ELECTRICAL PANEL BEFORE SERVICING.

►► 4'



►► 8'



Hang Luminaires

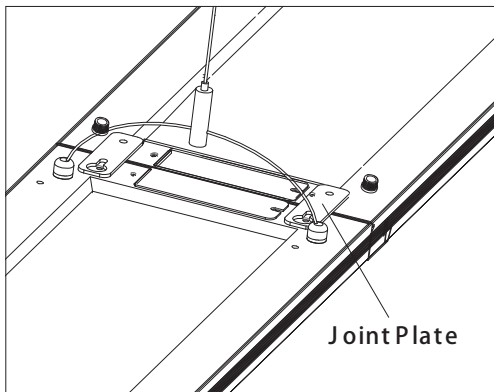
- 1-1: Screw aircraft cables clockwise on the top of luminaires.
- 1-2: Connect the quick connectors properly.
- 1-3: Zip tight power cord & aircraft suspension cable with the cable tie if needed.

⚠ Adjust the height of luminaire . Luminaire can be raised by pulling cable through the gripper and can be lowered by depressing the top cylinder on the gripper which pulls the luminaire down .

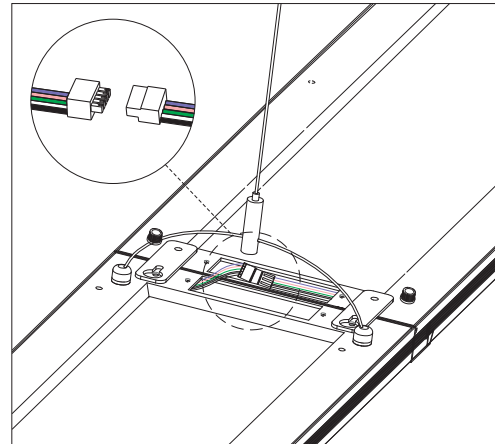
Seamless Continue Runs Per Power Feed

- 40W: Up to 10 pcs in 120V AC, 20 pcs in 230V AC and 25 pcs in 277V AC
- 54W: Up to 8 pcs in 120V AC, 15 pcs in 230V AC and 18 pcs in 277V AC
- 80W: Up to 5 pcs in 120V AC, 10 pcs in 230V AC and 12 pcs in 277V AC

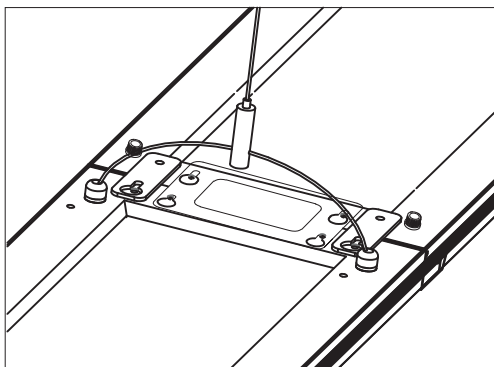
Joint Steps



- ① Joint two luminaires together by mounting the Joint plate on the both sides as shown.



- ② Remove the existing covers, then connect the quick connectors properly.



- ③ Mount the joint cover by screw.