



SAFETY INSTRUCTION



READ CAREFULLY BEFORE INSTALLING FIXTURE. PLEASE KEEP THIS MANUAL FOR FUTURE USE.

Fixtures must be wired in accordance with the National Electrical Code and all applicable local codes. Proper grounding is required for safety.

THIS PRODUCT MUST BE INSTALLED IN ACCORDANCE WITH THE APPLICATION CODE BY A PERSON FAMILIAR WITH THE CONSTRUCTION AND OPERATION OF THE PRODUCT AND THE HAZARDS INVOLVED.

MAKE CERTAIN POWER IS OFF BEFORE INSTALLING OR MAINTAINING FIXTURE.

CHECK THAT VOLTAGE IS COMPATIBLE WITH FIXTURE DRIVER. USE APPROVED CONNECTORS FOR ALL ELECTRICAL CONNECTIONS.

MAINTENANCE CAUTION

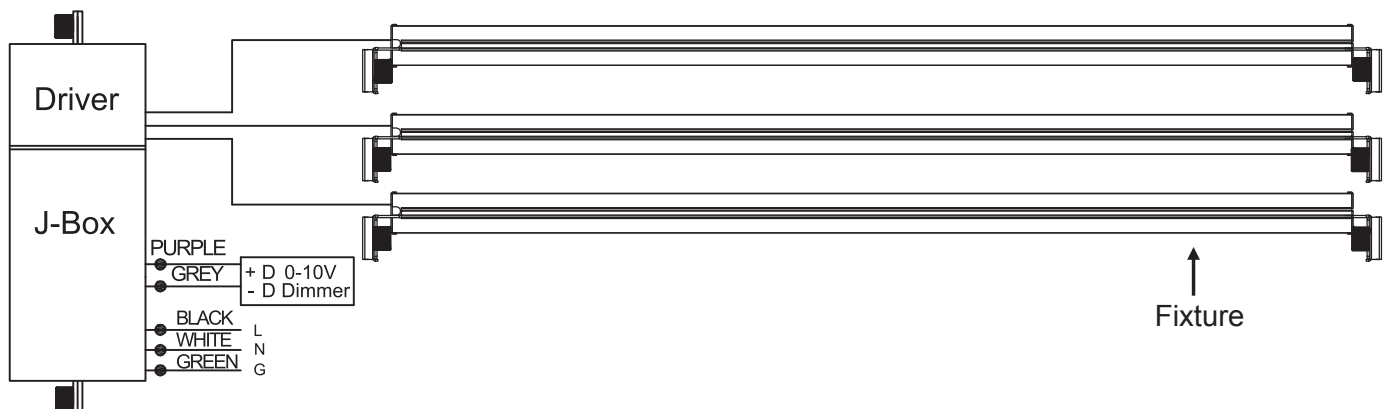


1. Review the wire connection before beginning, and make sure fixture is grounded properly.
2. For lighting controls, follow control instructions carefully.
3. Turn power off and wait for fixture to cool before performing maintenance.
4. Maintenance must be done by professionals.

INSTALLATION

Universal Voltage permits operation at 120VAC thru 277VAC, 50 or 60 Hz.

- a. Connect the black luminaire lead to the supply lead.
- b. Connect the white luminaire lead to the neutral supply lead.
- c. Connect the green or green/yellow ground lead to the green supply lead.
- a. If Dimming is an option; connect the violet dimming positive lead to the supply dimming positive lead. If dimming is not being used, ensure to cap off the violet lead.
- b. If Dimming is an option; connect the grey dimming negative lead to the supply dimming negative lead. If dimming is not being used, ensure to cap off the grey lead.



INSTALLATION (Single Fixture)

1. Unpack and check the luminaire and accessories.
Wear work gloves to keep the light clean, avoiding any oil or dirt transferred to it.

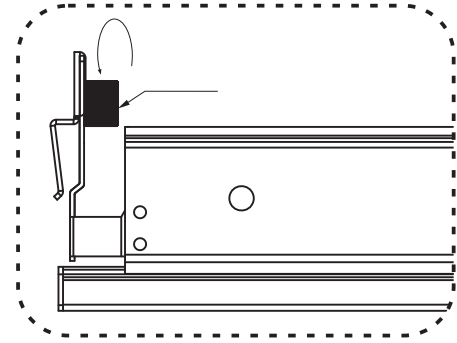


Figure1

2. Turn off the main power.

3. Unlock the two nuts at the ends of the linear light (Figure1).

4. Install the linear light to ceiling grid and tighten the two terminal nuts. (Figure2 and Figure3)

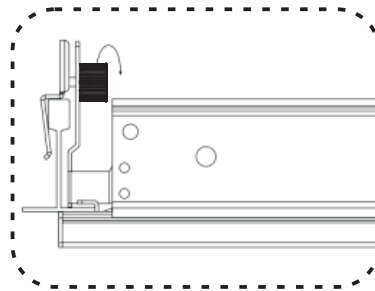


Figure2

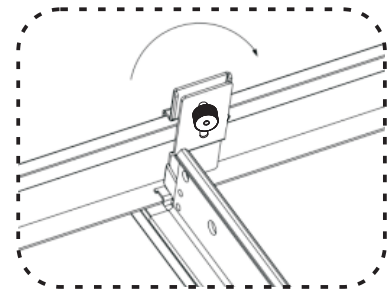


Figure3

5. Unlock the nuts from both end of Junction Box. (Figure4)

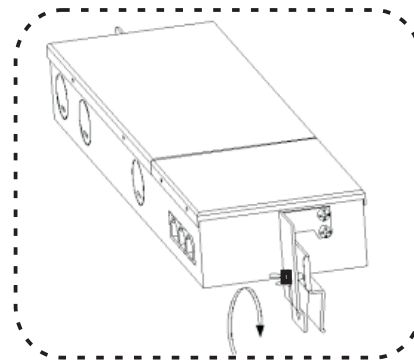


Figure4

6. Secure the junction box to the linear light and tighten the two terminal nuts. (Figure5 and Figure6)

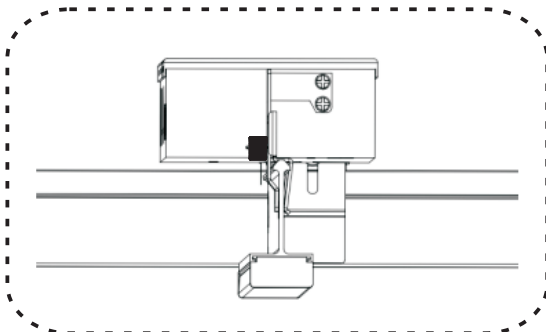


Figure5

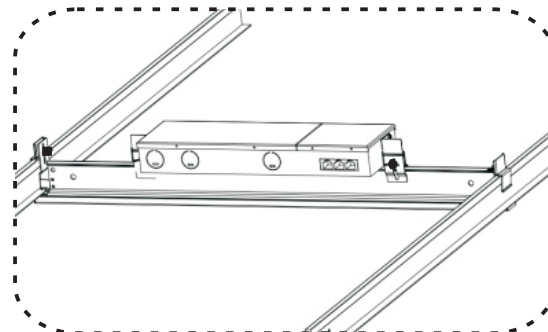
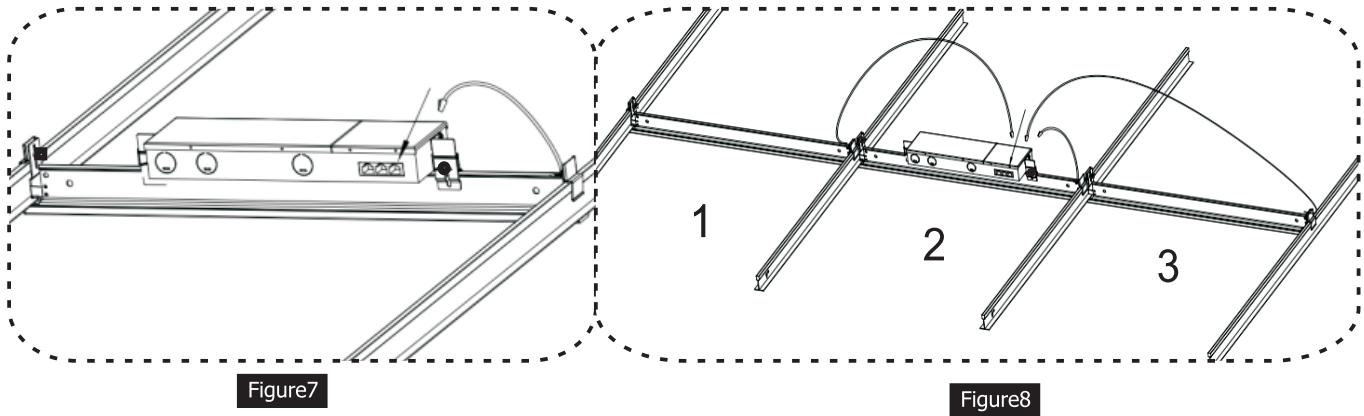
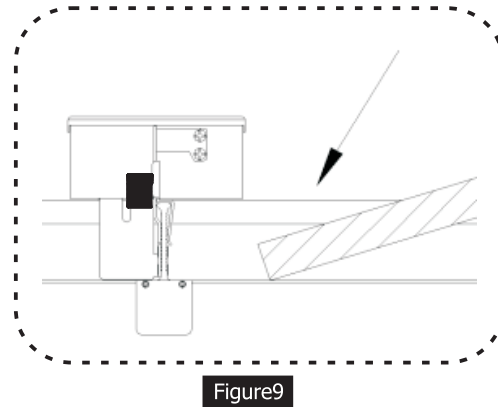
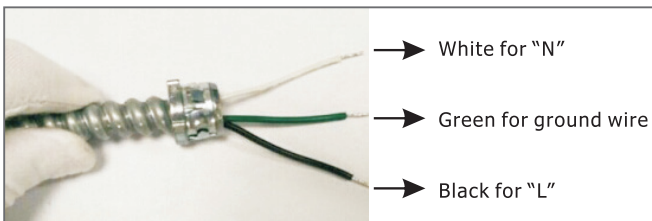


Figure6

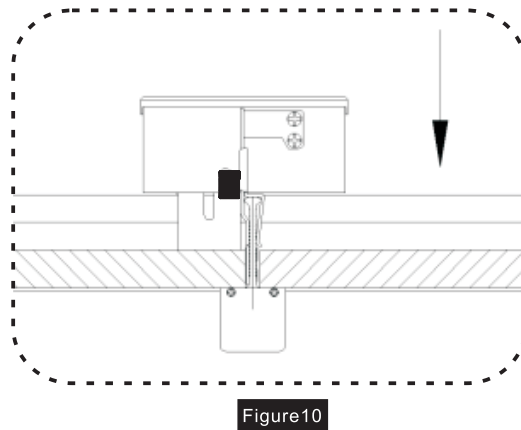
7. Connect the connector(RJ45) from LED lighting unit to the output connector of Junction Box.(Figure7)
Please note one driver can only support max 3 units.(Figure8)



8. Open the Junction Box, connect the L(Live), N(Neutral),G (Ground) wires by using the 4-pin connectors and connect the dimming wire with the orange connector cap.

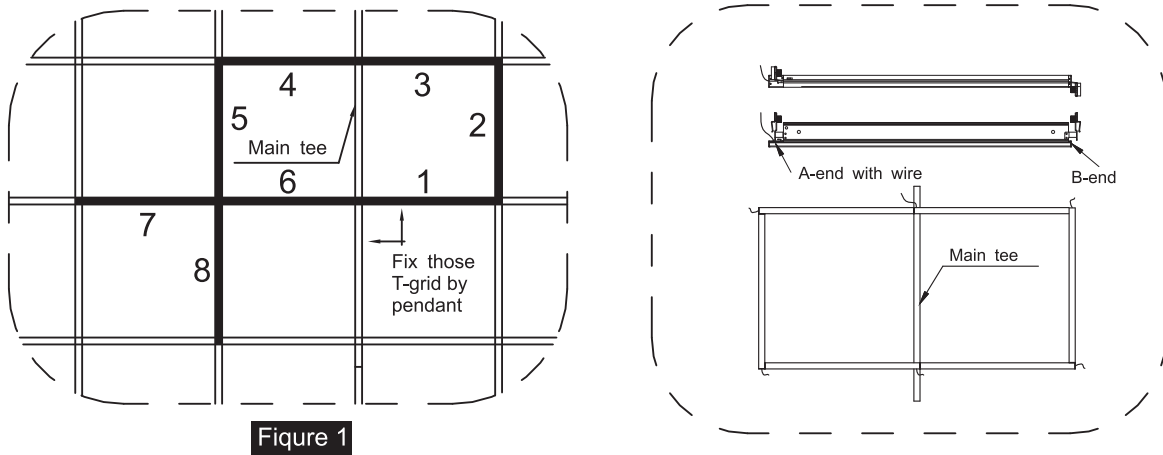


9. Cover the plasterboard to finish installation and ensure there is no opening at ceiling. (Figure9 and Figure10)



INSTALLATION ("□" shape, "T" shape, "+" shape)

1. Remove the related T-grid from the drop ceiling according to your shape design.
For example, for "□" shape, remove the No.1 , No.2, No.3, No.4, No.5 and No. 6 T-grid;
for "+" shape, re move the No.5 , No.6, No.7 and No. 8 T-grid;
Pls note: The adiacent T-grid must be fixed by the pendant; please do not replace the main-tee. (figure1)



2. The "□" shape Installation Steps:

Step1, for the No. 1 light fixture, fix the A-end with wire of the No. 1 light fixture by pendant and the B-end on the "a" T-gird.

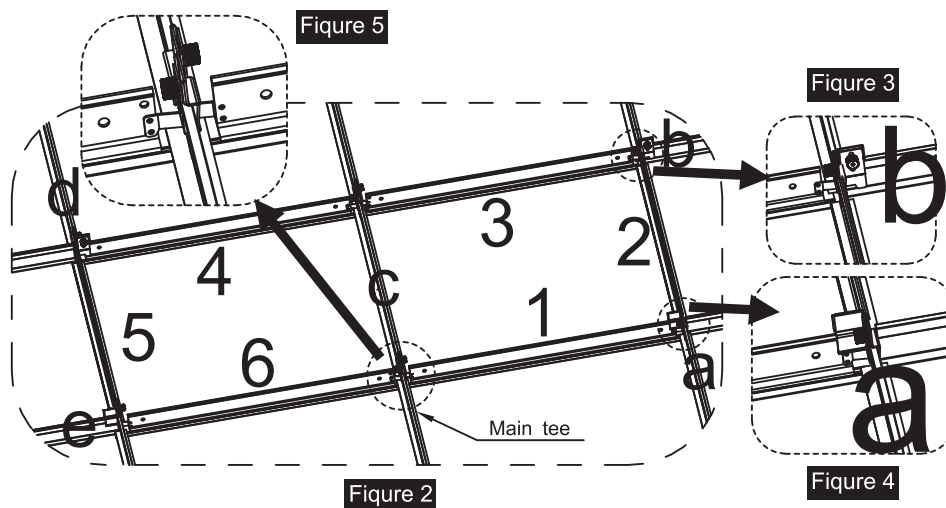
Step2, fix the No. 2 light fixture on the No. 1 light fixture with the A-end with wire, and the B-end on the "b" T-gird.

Step3, fix the No. 3 light fixture on the No. 2 light fixture with the A-end with wire, and the B-end on the "c" T-gird.

Step4, fix the No. 4 light fixture on the "c" T-gird with the A-end with wire, and the B-end on the "d" T-gird.

Step5, fix the No. 5 light fixture on the No. 4 light fixture with the A-end with wire, and the B-end on the "e" T-gird.

Step6, fix the No. 6 light fixture on the No. 5 light fixture with the A-end with wire, and the B-end on the "c" T-gird.
(figure 2,figure 3,figure 4,figure 5)



3. The "T" shape installation steps:

Firstly, install the No. 5 light fixture, fix the A-end with wire of the light fixture on the "d" T-grid and the B-end by pendant; Secondly, fix the A-end with wire of the No. 6 light fixture on the No. 5 light fixture. and the B-end of the fixture on the "e" T-grid. using the same method fix the A-end with wire of the No. 7 light fixture on the "g" T-grid, and the B-end on the "f" T-grid.

The "+" shape installation steps:

follow up the "T" shape installation, and then replace the "f" T-grid with one light fixture. (Figure 6, Figure 7 and Figure 8)

