



## CURVE MAGNETIC TRACK PROFILE

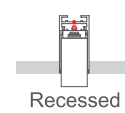
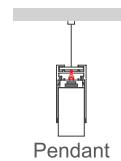
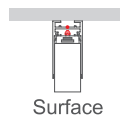


Thanks to the curvy series, the magnetic track system is more than just straight, become curvaceous. Full circle isn't the purpose, compare to realizing the lines in different and gorgeous shapes. Provided with different types and colors, curvy series works perfectly with straight profile to build up various scenes.

## CURVE MAGNETIC TRACK PROFILE

### GENERAL SPECIFICATION

Material	Aluminum
Color	RAL9004 Black/RAL 9003 White
Input Voltage	24Vdc
Input Current	8A Max



### Ordering Information

Example: CMTS-11-24V-BK

Series	- Length	- Voltage	Installation	- Frame Finish
CMTS -Curve Magnetic Track Profile	11 - In circle	24V-24Vdc <sup>1</sup>	<b>Need to order and ship separately<sup>2</sup></b>	<b>BK -Black<sup>3</sup></b>
	12 - In 1/2 circle		<b>PMK -Pendant Mount Kits</b>	Optional
	14 - In 1/4 circle		<b>SMK- Surface Mount Kits</b>	<b>WH -White<sup>3</sup></b>
	18 - In 1/8 circle		<b>RMK- Recessed Mount Kits</b>	

Notice:

- 24V constant voltage LED drivers can be chosen in the following driver list. The 24V constant voltage LED drivers also can be supplied by customer.
- Different mounting kits need to be bought separately. Please check the details in the following accessory list.
- Black finish is standard. Custom color is available for a premium setup fee. Consult customer service for additional information.

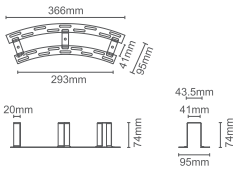
# ACCESSORIES (ORDER AND SHIP SEPARATELY)

## Recessed kit

Sandy Black
  Sandy White



Recessed mounting kits for Curver magnetic track including one piece

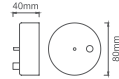


## Pendant kit-A

Sandy Black
  Sandy White



Suspension 1.2meters with electrical wire (1 pc).



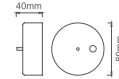
MTS-PM-A-BK

## Pendant kit-B

Sandy Black
  Sandy White



Suspension 1.2meters(1pc).



MTS-PM-B-BK

## CMTS-RM-BK

\* The standard sell quantity is one piece per set.  
 If for full circle track, 3 pieces recessed mounting kits are suggested.  
 If for 1/2 curve track, 2 pieces recessed mounting kits are suggested.  
 If for 1/4 and 1/8 curve track, 1 piece recessed mounting kits is suggested.

## Surface Mount Kits

Sandy Black
  Sandy White



MTS-SM-BK

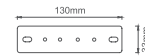
Surface mounted for magnetic track, includes 4pcs

## Track connector

Sandy Black
  Sandy White



Profile connection.

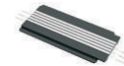


MTS-CNCT-BK

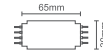
\* The track connector must be worked together with power plate

## Power plate 65mm

Sandy Black
  Sandy White



Electric connection, with 2 pins.



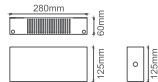
MTS-PP-65-BK

## Driver box

Sandy Black
  Sandy White



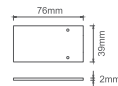
Empty box.



MTS-DBOX-BK

## End cap

Sandy Black
  Sandy White



MTS-CAP-BK

## Pin3

Sandy White



Pin connector for electric connection.

MTS-PIN3

## CONSTANT VOLTAGE LED DRIVER LIST (ORDER AND SHIP SEPARATELY)

### NON-DIMMABLE LED DRIVER

50W



**XLG-50-24**

50W, non-dimmable  
 Size: 180x63x35.5mm  
 input voltage: AC100-305V,  
 output voltage: 24V DC

100W



**XLG-100-24**

100W, non-dimmable  
 Size: 180x63x35.5mm  
 input voltage: AC100-305V,  
 output voltage: 24V DC

150W



**XLG-150-24**

150W, non-dimmable  
 Size: 180x63x35.5mm  
 input voltage: AC100-305V,  
 output voltage: 24V DC

200W



**XLG-200-24**

200W, non-dimmable  
 Size: 180x63x35.5mm  
 input voltage: AC100-305V,  
 output voltage: 24V DC

### 5 IN 1 DIMMABLE LED DRIVER

80W



**KVG-24080-DWJ**

80W, Triac/0-10V/1-10V/10V PWM  
 Size: 220x93x41mm  
 input voltage: 120-277V  
 output voltage: 24V DC

100W



**KVG-24100-DWJ**

100W, Triac/0-10V/1-10V/10V PWM  
 Size: 220x93x41mm  
 input voltage: 120-277V  
 output voltage: 24V DC

150W



**KVG-24150-DWJ**

150W, Triac/0-10V/1-10V/10V PWM  
 Size: 260x103x46mm  
 input voltage: 120-277V  
 output voltage: 24V DC

200W



**KVG-24200-DWJ**

200W, Triac/0-10V/1-10V/10V PWM  
 Size: 260x103x46mm  
 input voltage: 120-277V  
 output voltage: 24V DC

### DALI INTELLIGENT LED DRIVER

100W

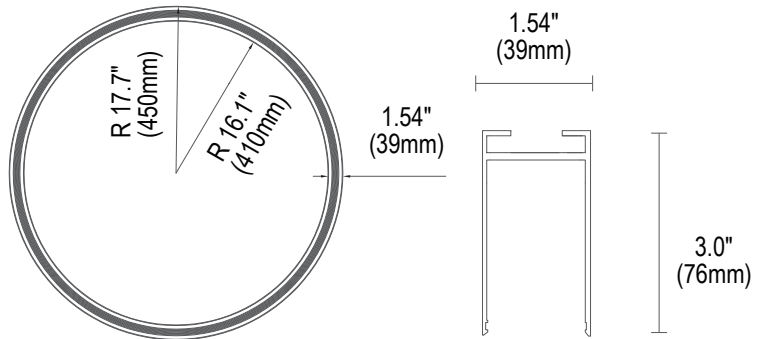


**LM-100-24-G1D2**

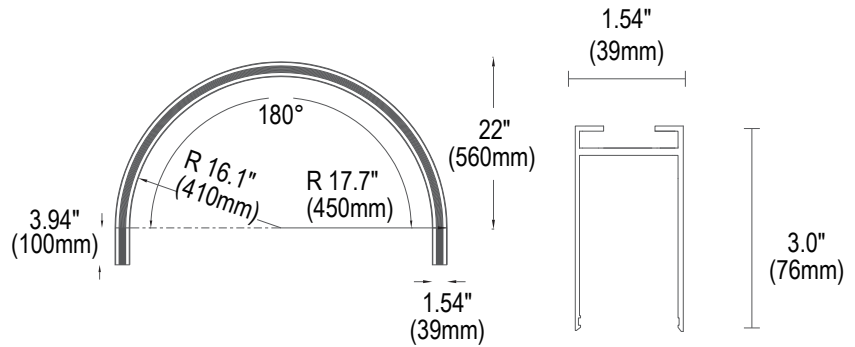
100W, DALI-2, Push DIM  
 Size: 352x43x30mm(LxWxH)  
 input voltage: AC120-277V,  
 output voltage: 24V DC

## DIMENSION

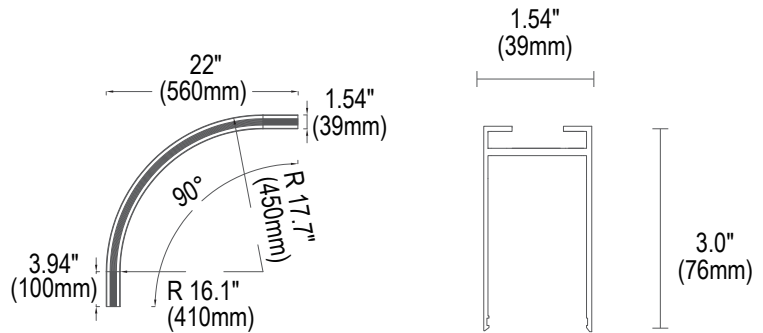
### CURVE IN CIRCLE



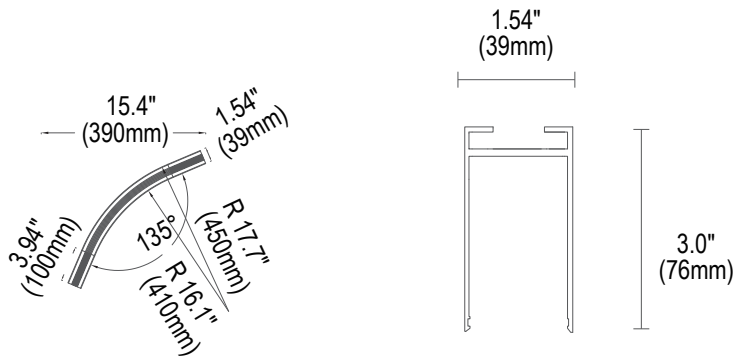
### CURVE IN 1/2



### CURVE 4/1



### CURVE 8/1



# INSTALLATION

Ref#: 20221028



Surface



Pendant



Recessed



Full



1/2



1/4



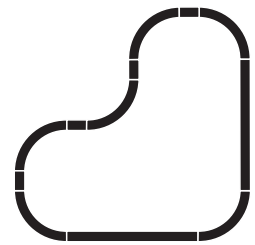
1/8



Creative design



Creative design



Creative design