

# LIN SERIES MAGNETIC TRACK LIGHT

## GENERAL SPECIFICATION

The LIN series is a linear lighting solution designed to work with our Magnetic Track System. It features a low glare diffused lens and is available in several different wattage/ length combinations all housed in an elegant body.

CCT: 2700K/3000K/4000K

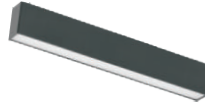
CRI: RA90

Lens: Diffused

DIM: Triac,0/1-10V,

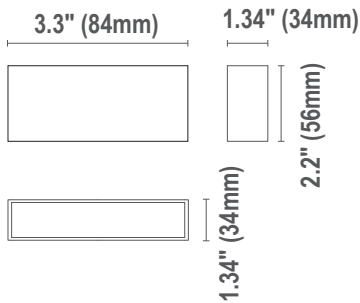
Installation: Magnetic

Environment: Indoor

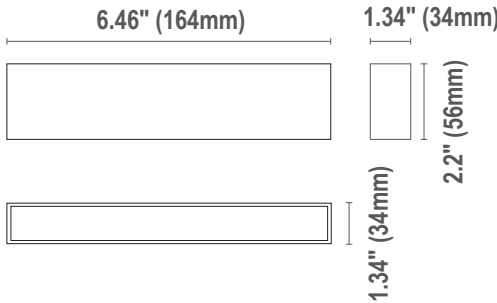


## DIMENSION

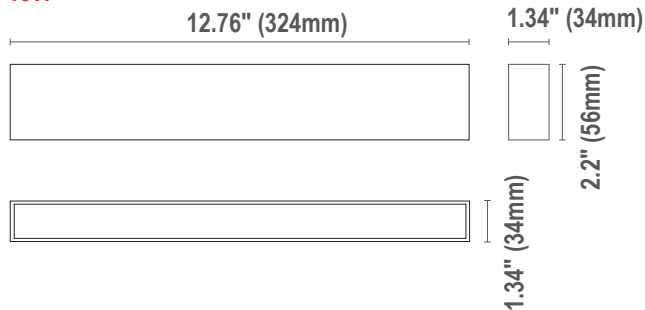
### 4W



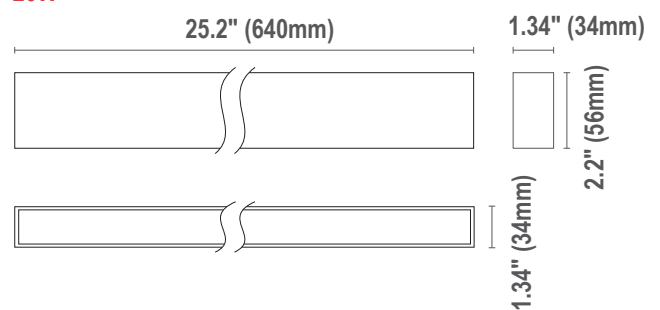
### 7W



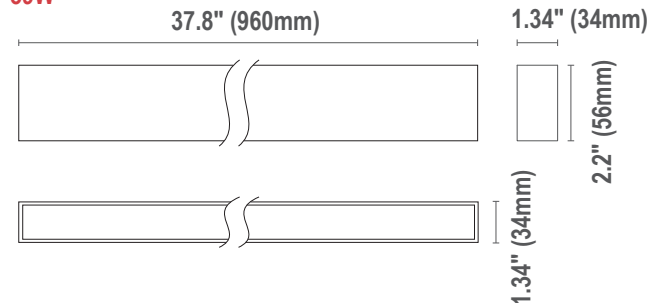
### 13W



### 26W



### 39W



## Ordering Information

Example: LIN04-3090-24V-DL-MTM-BK

Series	Watts	- CCT&CRI	- Voltage	Lens	Installation	- Finish
LIN	04 - 4W/3.3"	- 2790 - 2700K 90Ra	- 24V-24Vdc <sup>1</sup>	DL - Diffused Lens	MTM - Magnetic Track Mount	- BK -Black <sup>2</sup>
	07 - 07W/6.46"	3090 - 3000K 90Ra				
	13 - 13W/12.76"	4090 - 4000K 90Ra				
	26 - 26W/25.2"					
	39 - 39W/37.8"					

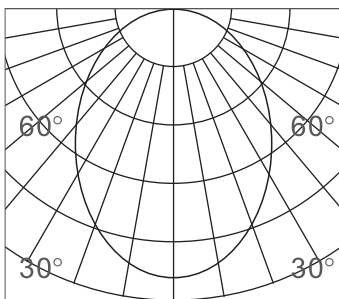
### Notice:

1. The fixture is used for 24V magnetic track system.
2. Standard Finish is black. Custom colors might be available for an additional fee. Please check with Customer Service for more information.

## PHOTOMETRY

All published luminaire photometric testing performed to IESNA LM-79-08 standards by a NVLAP certified laboratory.

### Diffuse



h(m)	E(lx)	Φ(m)
1	105.5	Φ2.60
2	26.3	Φ5.20
3	11.7	Φ7.80
4	6.5	Φ10.40
5	4.2	Φ13.00

## PERFORMANCE DATA

Lumen values are estimated with LED data sheet.

Watts	Lumen Output	CRI	Lens	CCT	LPW
4	220	90	Diffused	3000K	55
7	490	90	Diffused	3000K	70
13	900	90	Diffused	3000K	69
26	1720	90	Diffused	3000K	66
39	2550	90	Diffused	3000K	65

## Warranty

Five year limited warranty.

\* Specifications subject to change without notice.