

GLOWBALL SERIES MAGNETIC TRACK LIGHT

GENERAL SPECIFICATION

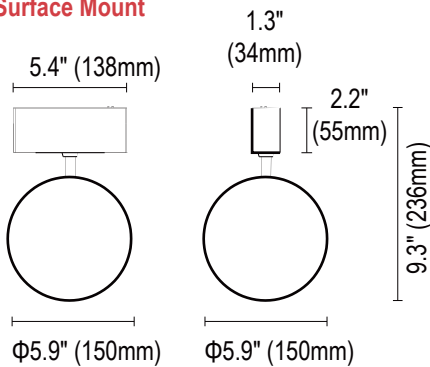
Our Glowball Series Magnetic Track Light is designed for decorative and general lighting. The diffuse spherical glass lens yields a smooth uniform light output, and the fixture is available as both a pendant or surface mounted to our 24V magnetic track system.



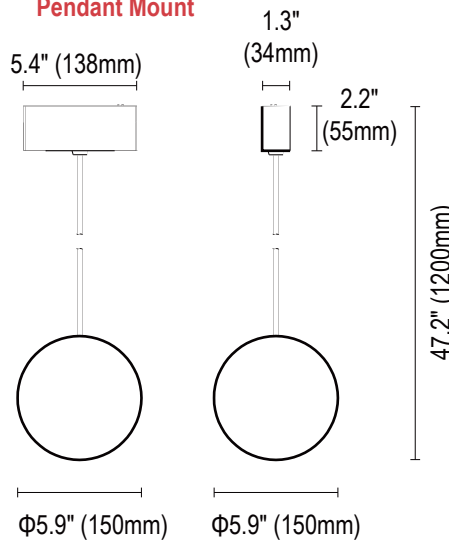
CCT: 2700K/3000K/4000K
CRI: RA90
DIM: Triac, 0/1-10V,
Installation: Magnetic
Environment: Indoor

DIMENSION

Surface Mount



Pendant Mount



Ordering Information

Example: GBL05-3090-24V-PM-BK

Series	Watts	- CCT&CRI	- Voltage	Lens	Installation	- Finish
GBL	05 - 5W	- 2790 - 2700K 90Ra	- 24V-24Vdc ¹	Blank - Diffused	SM - Surface Magnetic Track Mount	- BK - Black ²
		3090 - 3000K 90Ra				Optional
		4090 - 4000K 90Ra				WH - White ²
					PM - Pendant Magnetic Track Mount	

Notice:

1. The fixture is used for 24V magnetic track system.
2. Standard Finish is black. Custom colors might be available for an additional fee. Please check with Customer Service for more information.

**Surface
Magnetic Track Mount**



**Pendant
Magnetic Track Mount**

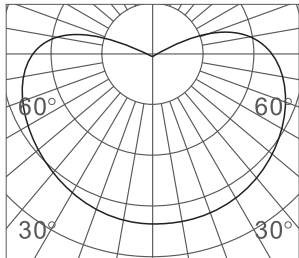


PHOTOMETRY

All published luminaire photometric testing performed to IESNA LM-79-08 standards by a NVLAP certified laboratory.

2700K 80Ra

Diffuse



h(m)	E(lx)	Φ(m)
1	24	Φ2
2	6	Φ4
3	2	Φ6
4	1	Φ8
5	0.9	Φ10

PERFORMANCE DATA

Lumen values are estimated with LED data sheet.

Watts	Lens	Lumen Output	CRI	CCT	LPW
5	Diffused	290	90	3000K	58

Warranty

Five year limited warranty.

* Specifications subject to change without notice.