

## SUITABLE FOR MODEL



### SAFETY INSTRUCTION

**READ CAREFULLY BEFORE INSTALLING FIXTURE. PLEASE KEEP THIS MANUAL FOR FUTURE USE.**

Fixtures must be wired in accordance with the National Electrical Code and all applicable local codes. Proper grounding is required for safety.

**THIS PRODUCT MUST BE INSTALLED IN ACCORDANCE WITH THE APPLICATION CODE BY A PERSON FAMILIAR WITH THE CONSTRUCTION AND OPERATION OF THE PRODUCT AND THE HAZARDS INVOLVED. MAKE CERTAIN POWER IS OFF BEFORE INSTALLING OR MAINTAINING FIXTURE.**

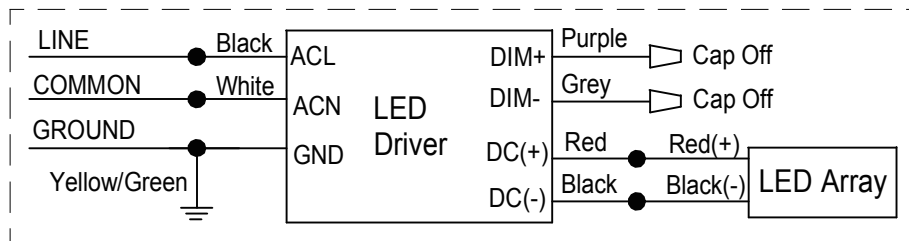
**CHECK THAT VOLTAGE IS COMPATIBLE WITH FIXTURE DRIVER. USE APPROVED CONNECTORS FOR ALL ELECTRICAL CONNECTIONS.**

### Maintenance Caution

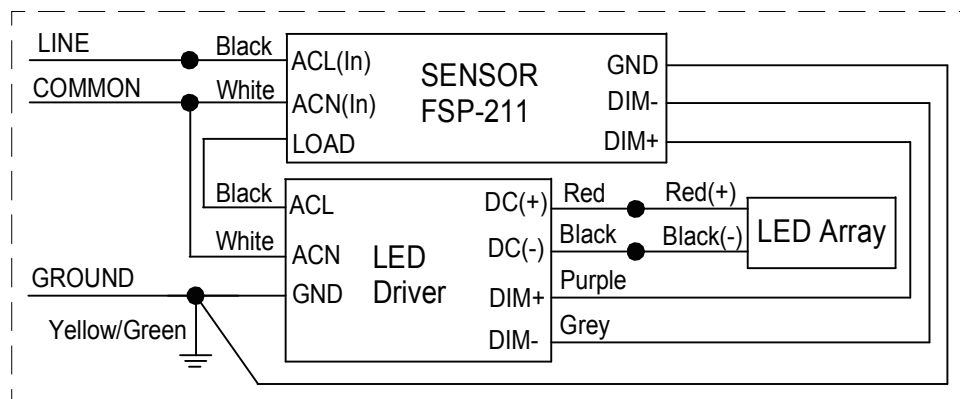
1. Review the wire connection before beginning, and make sure fixture is grounded properly.
2. For lighting controls, follow control instructions carefully.
3. Turn power off and wait for fixture to cool before performing maintenance.
4. Maintenance must be done by professionals.

## WIRE CONNECTION

### 120-277V,347/480V



### 120-277V



## INSTALLATION

1. Untie four 8-32 UNC screws from the body, and open the connection box.
2. Install the Trunnion on the Connection Box with Screw A, Lock Washers, Washer A, Big Washers and Nuts(4).
3. Secure Connection box to a desired Mounting Surface by the Trunnion bracket with customer supplied fastener. Feed the supply lead into the Connection box through a 1/2 NPS hole.
4. Connect with the AC wire of power in the connection box.
5. Attach four 8-32 UNC screws to the connection box back and tighten the screws. Make sure the seal ring is in the right place before tightening the screws.
6. Adjust the angle of the fixture by Angle Looking Screws and Center Bolts on the trunnion.

