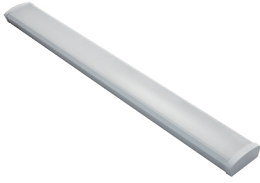


## SUITABLE FOR MODEL



### SAFETY INSTRUCTION:

**READ CAREFULLY BEFORE INSTALLING FIXTURE. PLEASE KEEP THIS MANUAL FOR FUTURE USING.**

Fixtures must be wired in accordance with the National Electrical Code and all applicable local codes. Proper grounding is required for safety.

**THIS PRODUCT MUST BE INSTALLED IN ACCORDANCE WITH THE APPLICATION CODE BY A PERSON FAMILIAR WITH THE CONSTRUCTION AND OPERATION OF THE PRODUCT AND THE HAZARDS INVOLVED.**

**MAKE CERTAIN POWER OFF BEFORE INSTALLING OR MAINTAINING FIXTURE.**

**CHECK THAT VOLTAGE IS COMPATIBLE WITH FIXTURE DRIVER, USE APPROVED CONNECTORS FOR ALL ELECTRICAL CONNECTIONS.**

### WARNING:

#### RISK OF ELECTRICALSHOCK

- Turn off electrical power at fuse or circuit breaker box before wiring fixture to the power supply.
- Turn off the power when you perform any maintenance.
- Verify that supply voltage is correct by comparing it with the luminaire label information.
- Make all electrical and grounded connections in accordance with the National Electrical Code and any applicable local code requirements.
- All wiring connections should be capped with UL approved wire connectors.

### CAUTION:

#### RISK OF INJURY

- Wear gloves and safety glasses at all times when removing luminaire from carton, installing, servicing or performing maintenance.
- Avoid direct eye exposure to the light source while it is on.
- Account for small parts and destroy packing material, as these may be hazardous to children.

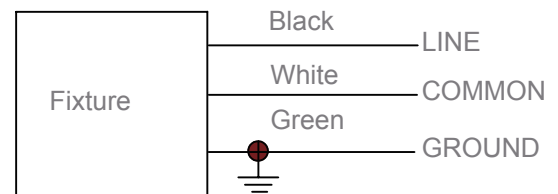
#### RISK OF FIRE

- Keep combustibile and other materials that can burn away from luminaire and lamp/lens.
- MIN 90°C SUPPLY CONDUCTORS.

## WIRE CONNECTION

Universal voltage driver permits operation at 120V thru 277V, 50 or 60Hz

- a. Connect the voltage supply Line to our AC-L lead
- b. Connect the voltage Neutral supply to our AC-N lead
- c. Connect the green/yellow ground lead to the supply ground lead



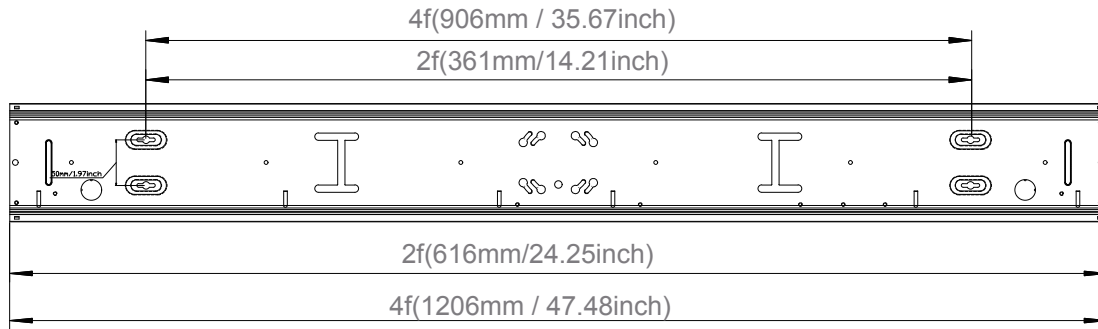
## INSTALLATION

### SURFACE MOUNT

1. Locate the mounting points based on the Dimension Drawing. See Figure 1.
2. Remove the lens from the housing near one end of the housing by using the provided suction cup. Press the suction cup to absorb one side of the lens, then pull the suction cup to detach the lens from the luminaire housing. See Figure 2.
3. Make proper electrical connections (black to hot "L", white to neutral "N", ground to "GND") with wire nuts provided in the Electrical Junction Box (by others). All wires and terminals need to be pushed into Electrical Junction Box and no wires get pinched.

4. Adjust the wattage and the CCT with switch according to your requirement. Default setting is 48W, 4000K.
5. Depending on structural conditions, secure Fixture Base to mounting surface by customer supplied anchor screws, toggle bolts or suitable fasteners into Keyhole Slots. See Figure 3.
6. Carefully replace Lens into Fixture Base until it snaps in place. See Figure 3.

**CAUTION: THE LENS CAN'T BE DAMAGED AND NEED TO BE KEPT CLEAN DURING THE INSTALLATION.**



**DIMENSION DRAWING (2FT/4FT)**

Figure 1

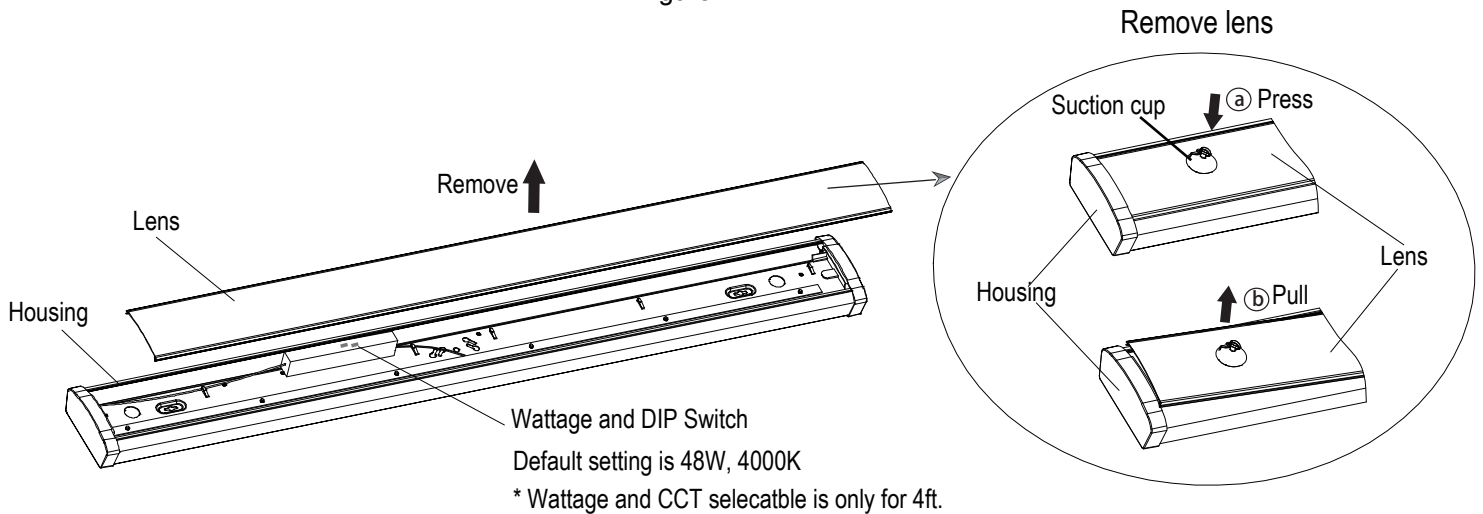


Figure 2

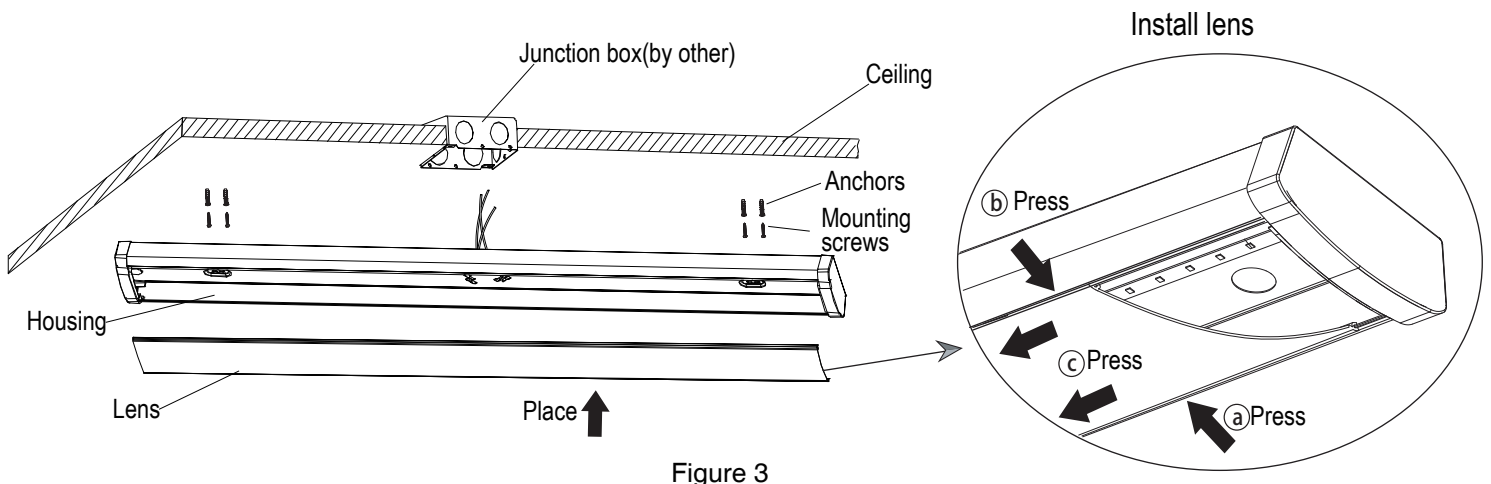


Figure 3